



# CS6X

CONTROL SYNTHESIZER

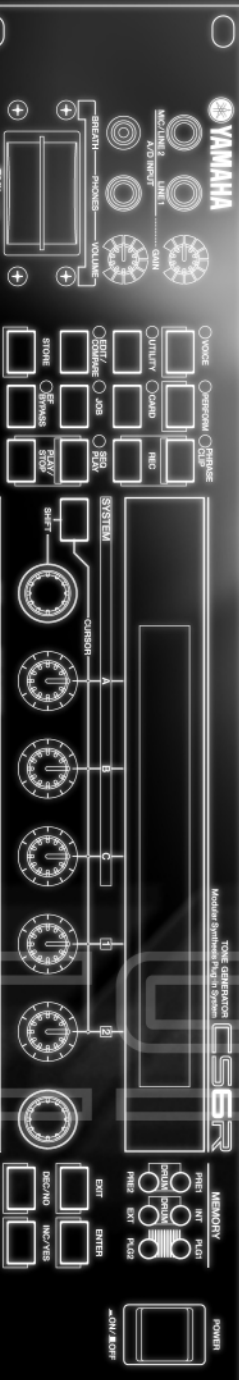
# CS6R

TONE GENERATOR

DATA LIST

DATEN-LISTE

LISTE DE DONNÉES





**CS6x**  
**CONTROL SYNTHESIZER**

**CS6R**  
**TONE GENERATOR**

# **DATA LIST**

## **Contents**

<b>CS6x/CS6R Voice List .....</b>	<b>4</b>
<b>Drum Voice List.....</b>	<b>10</b>
<b>Wave List.....</b>	<b>13</b>
<b>Performance List .....</b>	<b>14</b>
<b>Control List .....</b>	<b>15</b>
<b>Arpeggio Type List .....</b>	<b>16</b>
<b>Effect Type List .....</b>	<b>17</b>
<b>Effect Parameter List .....</b>	<b>17</b>
<b>About MIDI .....</b>	<b>26</b>
<b>MIDI Data Format .....</b>	<b>26</b>
<b>MIDI Data Table .....</b>	<b>30</b>
<b>MIDI Implementation Chart .....</b>	<b>38</b>

# CS6x/CS6R Voice List

Preset 1 (MSB=63, LSB=0)

No.	Voice Name	Category	Reverb Type	Chorus Type	Insertion1 Type	Insertion2 Type	MW	PB	AT	FC	BC	FS	RB	Kn1	Kn2
1	Grand	Pf	Hall 1	Chorus 1	Thru	Thru	ChoSend	off	off	off	off	off	FLT-Frq	FLT-Frq	RevSend
2	Ivories	Pf	Hall 1	Chorus 1	3band EQ	Thru	CLFO-D1	off	off	off	off	off	ChoSend	ChoSend	RevSend
3	For Ballad	Pf	Hall 1	Delay LR	Thru	Chorus 4	ELM-Lvl	off	off	off	off	off	Volume	RevSend	ChoSend
4	BasicRoadz	Pf	Hall 2	Chorus 1	3band EQ	Auto Pan	ChoSend, ChoSend	off	off	off	off	off	ChoSend	InsL prm2	InsL prm1
5	DF Roadz	Pf	Hall 1	Chorus 1	3band EQ	Pitch Change 1	ChoSend	off	off	off	off	off	ChoSend	InsS prm2	InsS prm7
6	RT Roadz	Pf	Stage 1	Chorus 1	Auto Pan	Phaser 1	InsS prm1, InsS prm2	off	off	off	off	off	InsL prm1	InsL prm10	RevSend
7	SunShine	Pf	Stage 1	Chorus 1	Auto Pan	Compressor	InsS prm1	off	off	off	off	off	InsS prm1	InsS prm2	RevSend
8	Club Daz	Pf	Room 1	Phaser	Overdrive	Thru	InsS prm10	off	off	off	off	off	ELFO-AM	InsS prm1	ChoSend, RevSend
9	Fusion	Pf	Hall 1	Phaser	Touch Wah	3Band EQ	CLFO-D1	off	off	off	off	off	InsS prm1	RevSend	ChoSend
10	CP2000	Pf	Hall 1	Flanger 3	3band EQ	Thru	ChoSend	off	off	off	off	off	ELM-Pan	CLFO-D1	FLT-Frq
11	DXAtacky	Pf	Hall 1	Celeste 1	Chorus 3	Thru	CLFO-D1	off	off	off	off	off	InsS prm1	RevSend	ChoSend
12	Dark DX	Pf	Hall 1	Chorus 1	Thru	Thru	CLFO-D1	off	off	off	off	off	FLT-Frq	FLT-Frq	ChoSend, RevSend
13	Wurlri	Pf	Plate	Chorus 2	AMP Simulator	Tremolo	InsL prm2, InsL prm1	off	off	off	off	off	ChoSend	RevSend	InsS prm1
14	Clavint	Pf	Stage 2	Phaser	Thru	Thru	ChoSend, Volume	off	off	off	off	off	FLT-Rez	FLT-Frq	FEG-D1
15	Clav Wah	Pf	Stage 2	Phaser	Touch Wah	Thru	ChoSend, Volume	off	off	off	off	off	FLT-Rez	FLT-Frq	FEG-D1
16	Full	Or	Hall 1	Chorus 1	3band EQ	2Way Rotary Speaker 3	InsL prm16, ChoSend, ELM-Lvl	off	off	off	off	off	ELM-Lvl	ELM-Lvl	ELM-Lvl
17	Perc Org	Or	Hall 1	Chorus 1	3band EQ	2Way Rotary Speaker 3	InsL prm16, ChoSend, ELM-Lvl	off	off	off	off	off	InsL prm12	InsL prm9	RevSend
18	E Bird	Or	Hall 1	Chorus 4	Thru	Rotary Speaker 1	InsL prm1	off	off	off	off	off	ELM-Lvl	ELM-Lvl	ELM-Lvl
19	4 Bars	Or	Hall 1	Chorus 1	Overdrive	Rotary Speaker 1	InsL prm1	off	off	off	off	off	InsS prm10	InsS prm10	ELM-Lvl
20	Jazz	Or	Room 1	Chorus 1	Overdrive	Rotary Speaker 1	InsL prm1	off	off	off	off	off	FLT-Rez	InsL prm9	InsL prm1
21	Swish	Or	Hall 1	Chorus 1	Thru	2Way Rotary Speaker	ELM-Lvl, ChoSend	off	off	off	off	off	FLT-Frq	ELM-Lvl	ELM-Lvl, InsL prm1
22	Vox	Or	Stage 1	Chorus 1	AMP Simulator	Thru	ELFO-PM	off	off	off	off	off	ChoSend	FLT-Frq	InsS prm1
23	Tube	Or	Hall 1	Chorus 3	AMP Simulator	2Way Rotary Speaker 3	InsL prm16, InsL prm9	off	off	off	off	off	ELM-Lvl	InsS prm1	InsL prm9, FLT-Frq
24	Gospel	Or	Hall 1	Chorus 4	Overdrive	Rotary Speaker 1	InsL prm1, ChoSend, ELM-Lvl	off	off	off	off	off	InsS prm5	InsL prm9	InsL prm1
25	ClickOrgan	Or	Hall 1	Chorus 1	Overdrive	Rotary Speaker 1	InsL prm1	off	off	off	off	off	InsL prm1	ELM-Lvl	ELM-Lvl
26	Jimmy	Or	Hall 1	Chorus 1	3band EQ	Amp Simu + 2Way Rotary Speaker	InsL prm1	off	off	off	off	off	InsL prm1	InsL prm14	InsS prm2
27	Accordion	Or	Hall 1	Ensemble	Thru	Thru	ChoSend	off	off	off	off	off	FLT-Frq	HPF-Frq	FLT-Frq
28	Monica	Rd	Stage 1	Ensemble	AMP Simulator	Touch WAH	ELFO-PM	FLT-Frq	ELFO-PM	off	off	off	FLT-Frq	InsL prm2	ELFO-AM
29	18 String	Gt	Hall 2	Chorus 1	3band EQ	2Band EQ	CLFO-D1	off	off	off	off	off	PCH-Crs	ChoSend	FLT-Frq
30	New Nylon	Gt	Hall 1	Chorus 1	3band EQ	Thru	CLFO-D1	off	off	off	off	off	CLFO-D1	ELM-Lvl	ELM-Lvl, FLT-Frq
31	JazzGtmelo	Gt	Hall 1	Chorus 1	3band EQ	3Band EQ	CLFO-D1	off	off	off	off	off	PCH-Crs	InsS prm4	ChoSend
32	Elec-Accus	Gt	Hall 1	Delay LR	Chorus 1	Comp Distortion	ELFO-PM	off	off	off	off	off	InsS prm1	ELM-Lvl, ELM-Lvl	ChoSend
33	Acoustic	Gt	Hall 1	Chorus 1	Thru	Thru	ELFO-PM	off	off	off	off	off	FLT-Frq	FEG-D1	ChoSend
34	ChorStrat	Gt	Hall 1	Chorus 4	3band EQ	AMP Simulator	CLFO-D1	off	off	off	off	off	PCH-Crs	ChoSend	InsS prm2
35	Cry	Gt	Hall 1	Chorus 1	Auto Wah	Comp+Dist+Delay	ELFO-PM	off	off	off	off	off	InsS prm3	InsS prm1	ChoSend, Volume
36	Blood	Gt	Hall 1	Delay LR	AMP Simulator	2Band EQ	ELM-Lvl	off	off	off	off	off	PCH-Crs	RevSend	ChoSend
37	Birdy	Gt	Room 3	Phaser	3band EQ	V-Distortion	ELFO-PM	off	off	off	off	off	InsL prm4	InsL prm1, Volume	InsL prm11
38	Mute	Gt	Room 3	Phaser	Thru	Compressor	ELFO-PM, ChoSend	off	off	off	off	off	HPF-Frq	FLT-Frq	FLT-Rez
39	Feedback	Gt	Room 3	Chorus 4	3band EQ	V-Distortion	ELFO-PM	off	off	off	off	off	InsL prm4	InsL prm11	InsL prm1
40	100 Watts	Gt	Room 3	Phaser	3band EQ	V-Distortion	ELFO-PM	off	off	off	off	off	InsL prm4	InsL prm11	InsL prm1
41	Prec Bass	Ba	Hall 1	Chorus 1	AMP Simulator	3Band EQ	CLFO-D1	off	off	off	off	off	PCH-Crs	ChoSend	InsL prm1
42	Fing Sting	Ba	Hall 1	Chorus 1	Exciter	3Band EQ	CLFO-D1	off	off	off	off	off	PCH-Crs	ChoSend	InsL prm1
43	Fretless	Ba	Hall 1	Chorus 1	3band EQ	Thru	ELFO-PM	off	off	off	off	off	ChoSend	FLT-Frq	RevSend
44	Slap	Ba	Room 1	Chorus 1	Compressor	Thru	ELFO-PM	off	off	off	off	off	ChoSend	FLT-Frq	RevSend
45	Upright	Ba	Room 1	Chorus 1	3band EQ	Thru	ELFO-PM	off	off	off	off	off	ChoSend	FLT-Frq, FLT-Frq	ELM-Lvl
46	Lately	Ba	Room 3	Control Delay1	Compressor	AMP Simulator	ELFO-PM	off	off	off	off	off	InsL prm3	InsL prm10	ELFOSpd
47	Mini	Ba	Room 1	Chorus 1	3band EQ	Pitch Change 1	FLT-Frq	off	off	off	off	off	ELM-Lvl	ChoSend	ELM-Lvl
48	Dry Syn	Ba	Hall 1	Chorus 1	Thru	Thru	CLFO-D1	off	off	off	off	off	FLT-Frq	FEG-D1	ChoSend
49	Dark	Ba	Stage 2	Chorus 1	Thru	Thru	FLT-Frq	off	off	off	off	off	FLT-Frq	FEG-Atk, FEG-D1	ChoSend, ELM-Lvl
50	Deep Rez	Ba	Hall 1	Flanger 1	Thru	Thru	CLFO-D1	off	off	off	off	off	PCH-Crs	FLT-Frq	FLT-Rez
51	Background	St	Hall 2	Chorus 1	3band EQ	3Band EQ	CLFO-D1	off	off	off	off	off	FLT-Frq	ChoSend	AEG-Atk
52	CelloSmall	St	Hall 1	Chorus 1	Thru	Thru	CLFO-D1, CLFO-D2	off	off	off	off	off	Volume	ELM-Lvl	RevSend
53	Big String	St	Hall 1	Chorus 1	Thru	Thru	ELFO-PM	off	off	off	off	off	ELM-Lvl	RevSend	FLT-Frq, FLT-Rez
54	Cello Big	St	Hall 1	Chorus 1	Thru	Thru	CLFO-D1, CLFO-D2	off	off	off	off	off	FLT-Frq	ELM-Lvl	RevSend
55	Mellow Str	St	Hall 2	Chorus 4	3band EQ	Thru	CLFO-D1	off	off	off	off	off	PCH-Crs	RevSend	ChoSend
56	Pizzicato	St	Hall 1	Chorus 3	Thru	Thru	ChoSend	off	off	off	off	off	FLT-Rez	FLT-Frq	AEG-D1
57	Small Anna	St	Hall 1	Ensemble	Thru	Thru	ChoSend, Volume	off	off	off	off	off	FLT-Frq	FLT-Frq	AEG-Atk, AEG-Rel
58	ObiStrings	St	Hall 2	Chorus 5	Exciter	Cross Delay	FLT-Frq, FLT-Rez	off	off	off	off	off	FLT-Frq	InsS prm1	ChoSend
59	AnaStrings	St	Hall 2	Ensemble	Chorus 1	Cross Delay	CLFO-D1, FLT-Frq	off	off	off	off	off	FLT-Rez, FLT-Frq	InsS prm10	ChoSend
60	Soft Syn	St	Hall 2	Chorus 5	Exciter	Cross Delay	FLT-Frq, FLT-Rez	off	off	off	off	off	FLT-Frq	InsS prm1	ChoSend
61	Violin	St	Hall 1	Chorus 1	Thru	Thru	CLFO-D1, CLFO-D2	off	off	off	off	off	Volume	ChoSend	RevSend
62	Agitato	St	Hall 1	Chorus 1	3band EQ	Thru	ChoSend	off	off	off	off	off	FLT-Frq	FLT-Frq	ELFO-AM, ELFO-FM, CLFOSpd
63	Harp	St	Hall 1	Celeste 2	3band EQ	Thru	ELFO-PM	off	off	off	off	off	FLT-Frq	RevSend	ChoSend
64	Aah Choir	Vo	Hall 2	Chorus 5	Exciter	Thru	FLT-Frq, ELM-Lvl, ELM-Lvl	off	off	off	off	off	HPF-Frq	AEG-Atk	InsS prm1

No.	Voice Name	Category	Reverb Type	Chorus Type	Insertion1 Type	Insertion2 Type	MW	PB	AT	FC	BC	FS	RB	Kn1	Kn2
65	Ooh Choir	Vo	Hall 2	Chorus 5	Exciter	Thru	FLT-Frq, ELM-Lvl	off	off	off	off	off	HPF-Frq	AEG-Atk	InsS prm1
66	Choir Tak	En	Hall 1	Chorus 1	Exciter	3Band EQ	ELFO-PM, ELFO-AM	off	off	off	off	off	FLT-Frq, FLT-Rez	FLT-Frq	FLT-Rez
67	Med Brass	Br	Stage 2	Chorus 1	Thru	Thru	ELFO-FM, ELFO-PM	off	Volume, FLT-Frq	off	off	off	off	FLT-Frq	ChoSend
68	Combi	Br	Hall 1	Ensemble	Thru	Thru	ChoSend	off	off	off	off	off	HPF-Frq	FLT-Frq	PCH-Crs
69	Fanfare	Br	Hall 1	Chorus 1	3band EQ	Thru	CLFO-D1	off	off	off	off	off	PCH-Crs	ELM-Lvl	RevSend
70	Dark Brass	Br	Hall 1	Chorus 1	Thru	Thru	ELFO-FM, ELFO-PM	off	off	off	off	off	PCH-Crs	FLT-Frq	ChoSend, Volume
71	Trombones	Br	Hall 2	Chorus 1	2band EQ	Cross Delay	CLFO-D1	off	off	off	off	off	FLT-Frq	ChoSend	FLT-Frq
72	Trumpet	Br	Hall 1	Ensemble	Thru	Delay LCR	ELFO-PM, ELFO-FM	off	off	off	off	off	FLT-Frq	RevSend	ChoSend, FLT-Rez
73	Mute Tpt	Br	Hall 1	Chorus 1	3band EQ	Thru	ELFO-PM	ELFO-AM	off	off	off	off	FLT-Frq	RevSend	HPF-Frq
74	Fr Horns	Br	Hall 1	Chorus 1	Thru	Delay LCR	ELFO-PM, ELFO-AM	off	off	off	off	off	FLT-Frq	RevSend	ChoSend
75	Oberhorns	Br	Hall 1	Chorus 4	Thru	Cross Delay	CLFO-D1	off	off	off	off	off	FLT-Frq	FEG-Atk	ChoSend
76	PowerSynth	Br	Hall 1	Chorus 1	3band EQ	Harmonic Enhancer	CLFO-D1	off	off	off	off	off	PCH-Crs	InsL prm3	RevSend
77	Fat Brazz	Br	Hall 1	Chorus 4	Thru	Cross Delay	ELFO-PM	off	off	off	off	off	FLT-Frq	FEG-Atk	ChoSend
78	J Stabs	Br	Hall 1	Delay LR	Thru	Ensemble Detune	ELFO-PM	off	off	off	off	off	PCH-Crs	RevSend	ChoSend
79	Moon	Br	Hall 1	Chorus 1	3band EQ	Harmonic Enhancer	CLFO-D1	off	FLT-Frq, Volume	off	off	off	FLT-Frq	PCH-Crs	RevSend
80	M Brass	Br	Hall 2	Delay LR	3band EQ	Chorus 4	CLFO-D1	off	off	off	off	off	FLT-Frq	RevSend	ChoSend
81	Tenor Sax	Rd	Hall 1	Chorus 1	3band EQ	Thru	ELFO-PM, ELFO-AM	off	off	off	off	off	FLT-Frq	FLT-Frq	ChoSend
82	Alto Sax	Rd	Hall 1	Chorus 1	3band EQ	Thru	ELFO-PM, ELFO-AM	off	off	off	off	off	FLT-Frq	FLT-Frq	ChoSend
83	Soprano	Rd	Hall 1	Delay LR	3band EQ	Thru	ELFO-PM	off	off	off	off	off	ELFO-PM	RevSend	ChoSend
84	Clarinet	Rd	Hall 1	Chorus 1	3band EQ	Thru	ELFO-PM, ELFO-AM	off	off	off	off	off	FLT-Frq	RevSend	FLT-Frq, FLT-Rez
85	Oboe	Rd	Hall 1	Chorus 1	Thru	Thru	ELFO-PM, ELFO-AM	off	off	off	off	off	FLT-Frq	RevSend	FLT-Frq
86	Bassoon	Rd	Hall 1	Chorus 1	Thru	Thru	ELFO-PM	ELFO-AM	off	off	off	off	FLT-Frq	RevSend	FLT-Frq
87	Pan Flute	Pi	Hall 1	Chorus 1	Thru	Thru	ELFO-AM, ELFO-FM	off	off	off	off	off	FLT-Frq	FLT-Frq, FLT-Rez	AEG-Atk
88	Breathy	Pi	Hall 1	Chorus 1	Thru	Thru	CLFO-D1, CLFO-D2	off	off	off	off	off	FLT-Frq	FLT-Frq	ELM-Lvl
89	Smooth Saw	Ld	Hall 1	Delay LR	Thru	Thru	ELFO-PM	off	off	off	off	off	FLT-Frq	FLT-Frq	ChoSend, Volume, RevSend
90	Europe	Ld	Hall 1	Ensemble	Distortion	Cross Delay	ELFO-PM, ELM-Lvl	off	ELFO-PM	off	off	off	FLT-Frq	PCH-Fin	PCH-Fin
91	Lucky	Ld	Hall 1	Chorus 3	Thru	Thru	ELFO-PM	off	off	off	off	off	FLT-Frq	FLT-Frq	ChoSend, Volume
92	Sneaky	Ld	Hall 1	Chorus 1	Thru	Thru	ELFO-PM	off	off	off	off	off	FLT-Frq	FEG-Dpt	FLT-Rez
93	Phazefit	Ld	Hall 1	Tempo Phaser	Chorus 1	Ensemble Detune	ELFO-PM	off	off	off	off	off	PCH-Crs	InsS prm10, InsL prm10, InsS prm2	PEG-Dpt
94	Mini Pulse	Ld	Hall 2	Chorus 2	Compressor	Tempo Cross Delay	ELFO-PM	off	off	off	off	off	FLT-Frq	ChoSend	RevSend, InsL prm10
95	BreathSaw	Ld	Hall 1	Delay LR	2band EQ	Ambience	ELFO-PM, ELFO-AM	off	off	off	off	off	FLT-Frq, FLT-Rez	ELM-Lvl	RevSend
96	Lovely	Ld	Hall 1	Ensemble	Distortion	Cross Delay	CLFO-D1	off	off	off	off	off	FLT-Frq	ELM-Lvl	FEG-Atk, AEG-Atk
97	Swan	Pd	Hall 2	Symphonic	Chorus 3	Harmonic Enhancer	PCH-Fin	off	off	off	off	off	FLT-Frq	InsS prm3, InsS prm10, InsS prm6	InsL prm2
98	Nuages	Pd	Hall 1	Chorus 1	Tremolo	Delay LR	ELFO-PM, FLT-Frq	off	ELFO-PM	off	off	off	FLT-Rez	FEG-Atk	InsL prm10
99	Sleep	Pd	Hall 1	Celeste 1	Thru	Thru	ELFO-PM	off	off	off	off	off	FLT-Frq	FLT-Rez	ChoSend
100	Brassy	Pd	Hall 1	Delay LR	Chorus 1	V-Flanger	ELM-Lvl	off	off	off	off	off	PCH-Crs	FLT-Frq	InsL prm14, InsL prm2
101	5th Breath	Pd	Hall 2	Ensemble	Exciter	Cross Delay	CLFO-D1	off	off	off	off	off	FLT-Frq	FLT-Frq, FLT-Rez	InsL prm10
102	The Pad!	Pd	Hall 1	Chorus 1	Exciter	Thru	ELFO-PM, FLT-Frq	off	ELFO-PM	off	off	off	ChoSend	FLT-Frq	FLT-Rez
103	Kemistry	Pd	Hall 1	Chorus 1	Celeste 1	Hall 1	FLT-Frq	off	off	off	off	off	PCH-Crs	RevSend	AEG-Atk
104	JM Pad	Pd	Hall 2	Chorus 1	Thru	Phaser 2	CLFO-D1	off	off	off	off	off	FLT-Frq	InsL prm1	ChoSend
105	Starlight	Fx	Hall 1	Chorus 1	Thru	Pitch Change 2	ELFOSpd	off	off	off	off	off	ELM-Lvl	FLT-Frq	ChoSend
106	Sitar	Et	Hall 1	Flanger 1	3band EQ	Ensemble Detune	ELFO-PM	off	off	off	off	off	FLT-Frq	ChoSend	RevSend
107	Steel Drum	Et	Hall 1	Chorus 1	Thru	Thru	ChoSend	off	off	off	off	off	FLT-Frq, FLT-Rez	FLT-Frq	RevSend
108	Cyba Whip	Pc	Stage 2	Chorus 1	Thru	V-Flanger	InsL prm2	off	off	off	off	off	FLT-Rez	FLT-Frq	AEG-Atk
109	ChimeTree	Pc	Hall 2	Celeste 2	Thru	Thru	ELFO-AM	off	off	off	off	off	ChoSend	PCH-Crs	RevSend
110	Glocken	Cp	Hall 2	Celeste 2	Thru	Thru	ChoSend	off	off	off	off	off	FLT-Frq	RevSend	ELFO-PM
111	Marimba	Cp	Hall 1	Celeste 2	Thru	Thru	ELFO-AM	off	off	off	off	off	FLT-Frq	RevSend, ChoSend	FLT-Frq, FLT-Rez
112	Eastern	Cp	Hall 1	Celeste 1	Chorus 1	Thru	ChoSend	off	off	off	off	off	PCH-Crs	FLT-Frq	PCH-Crs
113	Gamelan	Cp	Hall 1	Symphonic	Thru	Thru	ChoSend	off	off	off	off	off	PCH-Crs	FLT-Frq	AEG-Atk, AEG-Rel
114	Vibes	Cp	Hall 1	Celeste 2	Thru	3Band EQ	ChoSend	off	off	off	off	off	FLT-Frq	ELFO-AM	ELFOSpd
115	Fingerbell	Cp	Hall 1	Celeste 2	Thru	Thru	ELFO-PM, ELFO-AM	off	off	off	off	off	FLT-Frq	RevSend	ChoSend
116	Tiny Bell	Cp	Hall 1	Chorus 1	Chorus 1	Thru	ChoSend	off	off	off	off	off	ELFO-AM	FLT-Frq	AEG-Atk
117	Pulsate	Sc	Hall 1	Phaser	3band EQ	Cross Delay	ELFO-PM	off	off	off	off	off	FLT-Rez, FLT-Frq	ChoSend	RevSend
118	TX 802	Sc	Hall 2	Celeste 3	3band EQ	Pitch Change 1	ELFO-PM, ELFO-FM	off	off	off	off	off	ChoSend	FLT-Frq, FEG-D2	InsL prm10
119	Power Keys	Sc	Room 1	Chorus 1	3band EQ	Phaser 2	InsL prm2, InsL prm4, InsL prm10	off	off	off	off	off	ChoSend	InsL prm1	RevSend
120	Arena Syn	Sc	Hall 1	Chorus 1	Exciter	Thru	ELFO-PM, FLT-Frq	off	ELFO-PM	off	off	off	ChoSend	FLT-Frq	FLT-Rez
121	Strat Pad	Co	Hall 1	Chorus 1	Compressor	V-Distortion	ELFO-PM	off	off	off	off	off	FLT-Frq	ELM-Lvl, ELM-Lvl	ChoSend
122	Wind Orch	Co	Hall 1	Ensemble	3band EQ	Thru	CLFO-D1, CLFO-D2, ELFO-PM, ELFO-FM	off	off	off	off	off	FLT-Frq	FLT-Frq	ELM-Lvl
123	Soft Dream	Co	Hall 2	Symphonic	Celeste 4	Thru	CLFO-D1, ChoSend	off	off	off	off	off	FLT-Frq	FLT-Frq	ChoSend
124	Amandia	Co	Stage 1	Delay LR	2band EQ	Celeste 4	ELFO-PM	off	ELFO-PM	off	off	off	FLT-Frq	RevSend	ChoSend
125	Turntables	Se	Hall 1	Chorus 1	Thru	LO-FI	ELFO-PM, ELFO-FM	off	off	off	off	off	PCH-Crs	ChoSend	PCH-Crs
126	Rainstorm	Se	Hall 1	Chorus 3	Thru	Thru	FLT-Frq	off	off	off	off	off	ChoSend	PCH-Crs	ELM-Lvl
127	Sirens	Se	Hall 1	Chorus 1	Thru	Thru	RevSend	off	off	off	off	off	ChoSend	ELFOSpd	ChoSend
128	Helicopta	Se	Hall 1	Phaser	Thru	Auto Pan	FLT-Rez, FLT-Frq	ELFOSpd	off	off	off	off	PCH-Crs	ELM-Lvl	RevSend

Preset 2 (MSB=63, LSB=1)

No.	Voice Name	Category	Reverb Type	Chorus Type	Insertion1 Type	Insertion2 Type	MW	PB	AT	FC	BC	FS	RB	Kn1	Kn2
1	BriteGrand	Pf	Hall 1	Chorus 1	3band EQ	Flanger 3	Insl_prm10	off	off	off	off	off	PCH-Crs	ChoSend	RevSend
2	Slamming	Pf	Room 3	Tempo Delay2	Compressor	Voice Cancelar	AEG-D1	off	off	off	off	off	FLT-Frq	Insl_prm11	Insl_prm12
3	Danzze	Pf	Room 1	Control Delay1	Overdrive	Thru	ChoSend, RevSend	off	off	off	off	off	AEG-D1	ELM-Pan	FLT-Frq
4	House	Pf	Room 2	Control Delay2	Compressor	Ambience	RevSend	off	off	off	off	off	AEG-D1	Insl_prm10	ChoSend, FLT-Frq
5	M25	Pf	Hall 1	Tempo Delay1	Exciter	Pitch Change 1	Insl_prm10	off	off	off	off	off	FEG-D1	PCH-Fin	ChoSend
6	AcidFly	Pf	Stage 1	Delay LR	AMP Simulator	Digital Scratch	ChoSend, RevSend	off	off	off	off	off	FLT-Frq	Insl_prm5	Insl_prm11
7	Garage Rds	Pf	Hall 1	Delay LR	Chorus 1	Auto WAH	Insl_prm2	off	off	off	off	off	FLT-Frq	Insl_prm1	Insl_prm2, Insl_prm10
8	Road Case	Pf	Hall 1	Tempo Delay2	Compressor	Auto Pan	Insl_prm2	off	off	off	off	off	Insl_prm1	ChoSend	FLT-Frq, FEG-Dpt
9	Amp Wurli	Pf	Room 1	Celeste 1	Overdrive	Tremolo	Insl_prm2, Volume	off	off	off	off	off	FLT-Frq	InS prm10	InS prm1, RevSend
10	Ibiza	Co	Hall 1	Tempo Delay1	Compressor	Celeste 4	FLT-Frq	off	off	off	off	off	ELM-Lvl	RevSend	ChoSend
11	Melpiano	Co	Plate	Chorus 1	Thru	Symphonic	ELM-Lvl	off	off	off	off	off	FLT-Frq	ELM-Lvl	ELM-Lvl
12	Ritzy	Or	Hall 2	Chorus 1	Thru	Thru	AEG-D1, ChoSend	off	off	off	off	off	ELM-Pan, ELM-Pan	RevSend	FLT-Frq
13	Old Skool	Or	Plate	Tempo Delay1	Compressor	Harmonic Enhancer	ChoSend	off	off	off	off	off	AEG-D2	ELM-Lvl	ELM-Lvl
14	Fluffy	Or	Room 1	Chorus 1	Overdrive	Rotary Speaker 1	Insl_prm1	off	off	off	off	off	InS prm1	Insl_prm9	Insl_prm1
15	Orbital	Or	Hall 1	Delay LR	Thru	Thru	ELFO-PM	off	off	off	off	off	FLT-Frq	RevSend	ChoSend
16	Vox Conti	Or	Plate	Chorus 1	AMP Simulator	Rotary Speaker 1	Insl_prm1, Insl_prm2	off	off	off	off	off	InS prm1	ELM-Lvl	Insl_prm1
17	First Bars	Or	Hall 1	Chorus 1	Overdrive	Rotary Speaker 1	Insl_prm1, ChoSend, ELM-Lvl	off	off	off	off	off	InS prm10	ELM-Lvl	ELM-Lvl
18	RhoBassFiz	Or	Room 1	Chorus 1	AMP Simulator	Rotary Speaker 1	Insl_prm1, Insl_prm2	off	off	off	off	off	InS prm1	RevSend	Insl_prm1
19	Miles	Gt	Hall 1	Chorus 2	Thru	Delay LR	ELM-Lvl, ELM-Lvl	off	off	off	off	off	PCH-Crs	RevSend	Insl_prm10
20	Sad Guitar	Gt	Hall 1	Symphonic	AMP Simulator	Pitch Change 1	ELFO-PM	off	off	off	off	off	FLT-Frq	ChoSend	RevSend
21	P.F. Echo	Gt	Room 3	Delay LR	3band EQ	Dist + 2Way Rotary Speaker	ELFO-PM	off	off	off	off	off	Insl_prm1	ChoSend	Insl_prm14, Volume
22	Trancy	Ba	Hall 1	Chorus 4	Thru	Delay LR	ChoSend, ELM-Lvl	off	off	off	off	off	FLT-Rez	FEG-Atk	Insl_prm10
23	Mutiny	Ba	Room 1	Chorus 1	Thru	Thru	ELFO-PM, Volume	off	off	off	off	off	FLT-Frq	FEG-D1, FEG-Atk	FLT-Rez
24	Bassline	Ba	Hall 1	Flanger 2	Distortion	Delay LCR	ChoSend, ELM-Lvl	off	off	off	off	off	FLT-Frq	FEG-Atk	Insl_prm10, Insl_prm11
25	DX100	Ba	Room 3	Chorus 1	Thru	Thru	FLT-Frq	off	off	off	off	off	ELM-Pan	RevSend	ELFO-FM
26	Modular	Ba	Hall 2	Chorus 1	Thru	Thru	FEG-Dpt	off	off	off	off	off	PCH-Crs, FLT-Frq	RevSend	ChoSend
27	Strobe	Ba	Hall 1	Chorus 1	Thru	Harmonic Enhancer	ELFO-FM	off	off	off	off	off	ELFOSpd	FEG-Dpt, FLT-Frq	Insl_prm3, Volume
28	D-sub	Ba	Hall 1	Flanger 1	Thru	Thru	ELFO-PM	off	off	off	off	off	PCH-Crs	FLT-Frq	ChoSend
29	Sine Sub	Ba	Stage 2	Phaser	2band EQ	Distortion	Insl_prm10, AEG-Rel	off	off	off	off	off	Insl_prm10	Insl_prm10, AEG-Rel	Insl_prm1
30	Compton	Ba	Room 2	Symphonic	Compressor	Low Resolution	AEG-D1, RevSend	off	off	off	off	off	FLT-Frq, ChoSend	ELM-Lvl	AEG-Rel
31	Velo	Ba	Stage 2	Chorus 1	Thru	Auto WAH	Insl_prm10, RevSend, ELM-Lvl	off	off	off	off	off	FLT-Rez	FEG-Atk	ChoSend
32	Boom Bass	Ba	Room 3	Symphonic	Compressor	Voice Cancelar	PEG-Atk	off	off	off	off	off	Insl_prm11	ELFO-PM	ELFOSpd
33	Network	Ba	Room 2	Delay LR	Thru	Thru	RevSend	off	off	off	off	off	FLT-Frq	FEG-D1	ChoSend
34	Sonicbass	Ba	Hall 1	Tempo Delay2	Chorus 1	Thru	off	off	off	off	off	off	ELFOSpd, PCH-Crs, FLT-Frq	PCH-Crs, ELM-Lvl, ChoSend	
35	Snoop	Ba	Hall 1	Phaser	3band EQ	Thru	ELFO-PM	off	off	off	off	off	PCH-Crs	FLT-Frq	ChoSend, RevSend
36	Biscuit	Ba	Hall 1	Tempo Cross Delay	Flanger 1	Thru	ELFO-FM, ELM-Lvl	off	off	off	off	off	InS prm2	InS prm10, ChoSend	InS prm3
37	Monty	Ba	Room 3	Symphonic	Compressor	Voice Cancelar	PEG-Atk	off	off	off	off	off	PCH-Fin	ELFO-PM	ELFOSpd
38	Downright	Ba	Hall 2	Control Delay1	Compressor	Odrv + 2Way Rotary Speaker	Insl_prm14	off	off	off	off	off	HPF-Frq	Insl_prm4	Insl_prm1
39	Drone	Ba	Hall 2	Chorus 2	Compressor	Tempo Delay 2	FLT-Frq, CLFOSpd, FLT-Rez	off	off	off	off	off	ELM-Pan	RevSend	ChoSend
40	Additive	Ba	Stage 1	Chorus 1	Chorus 1	Low Resolution	ELFO-FM	off	off	off	off	off	Insl_prm1	Insl_prm7	FEG-D1
41	FM Perko	Ba	Room 1	Chorus 2	Compressor	V-Flanger	ChoSend, ELM-Lvl, Volume	off	off	off	off	off	FLT-Frq	RevSend	FLT-Frq
42	Mediale	St	Hall 2	Chorus 1	Compressor	Delay LCR	FLT-Frq, ChoSend, Volume	off	off	off	off	off	AEG-Atk	Insl_prm10	ChoSend
43	Big Syn	St	Hall 2	Chorus 5	Exciter	Cross Delay	FLT-Frq, FLT-Rez	off	off	off	off	off	FLT-Frq	ELM-Lvl	ELM-Lvl
44	Chocolate	St	Hall 1	Chorus 1	3band EQ	Cross Delay	FLT-Frq, ELM-Lvl	off	off	off	off	off	FLT-Frq	CLFO-D1	ChoSend
45	Chorus	Pd	Plate	off	Chorus 3	Talking Modulator	CLFO-D1, CLFO-D2	off	off	off	off	off	FLT-Frq	Insl_prm1	InS prm3
46	Richchoir	Vo	Plate	Chorus 1	3band EQ	Thru	CLFO-D1, CLFO-D2	off	off	off	off	off	FLT-Frq	CLFOSpd	ChoSend
47	Chandelier	Vo	Hall 2	Ensemble	Exciter	Chorus 4	InS prm1, ELM-Lvl, FLT-Frq	off	off	off	off	off	FLT-Frq	InS prm1	FLT-Frq
48	Topia	Vo	Room 3	Tempo Delay1	3band EQ	Ambience	CLFO-D1, CLFO-D2	off	off	off	off	off	FLT-Frq	CLFOSpd	Insl_prm10
49	Sutra	Vo	Canyon	Chorus 2	Chorus 2	Talking Modulator	Insl_prm1	off	off	off	off	off	Insl_prm1	CLFO-D1, CLFO-D2	CLFOSpd
50	Panmonks	Vo	Plate	Delay LR	Tremolo	Ensemble Detune	PCH-Fin	off	off	off	off	off	FLT-Frq	InS prm2, ELM-Lvl	InS prm1
51	Voiccy	Vo	Hall 2	Chorus 1	Compressor	Hall 2	ELM-Lvl, ELM-Lvl, FLT-Frq	off	off	off	off	off	FLT-Rez	RevSend	ELM-Pan
52	TekkBrass	Br	Hall 1	Chorus 4	Distortion	Cross Delay	ChoSend, ELM-Lvl	off	off	ELFO-PM	off	off	FLT-Frq	PCH-Fin	ChoSend
53	CS80	Br	Hall 1	Delay LR	Thru	Thru	ELFO-PM	off	off	off	off	off	PCH-Crs	FLT-Frq, FLT-Rez	PEG-Dpt, AEG-Atk
54	One Horn	Br	Hall 2	Chorus 1	Compressor	Tempo Cross Delay	FLT-Frq, ChoSend, RevSend	off	off	off	off	off	FEG-Atk	Insl_prm10	FLT-Rez
55	T-Eight	Br	Hall 1	Delay LR	Chorus 1	Compressor	ELFO-PM, CLFOSpd, InS prm10	off	off	off	off	off	PCH-Crs	FLT-Frq	FEG-Atk
56	EgoSix	Br	Hall 2	Chorus 2	Compressor	Early Ref 1	ChoSend, RevSend, FLT-Frq	off	off	off	off	off	FEG-Atk	Insl_prm10	ChoSend
57	HausBrass	Br	Stage 2	Chorus 4	AMP Simulator	Compressor	PEG-Dpt	off	off	off	off	off	FLT-Frq	InS prm3	PCH-Fin
58	MX Sax	Rd	Room 3	Tempo Delay1	3band EQ	Ambience	CLFO-D1, CLFO-D2	off	off	off	off	off	FLT-Frq	CLFOSpd	Insl_prm10
59	Hoppy Sax	Rd	Hall 1	Chorus 2	Auto Wah	LO-FI	ELFO-PM, ELFOSpd	off	InS prm9	off	off	off	InS prm3	Insl_prm2	InS prm1
60	Tech Lead	Ld	Hall 1	Ensemble	Auto Wah	Delay LR	ELFO-PM	off	off	off	off	off	FLT-Frq	InS prm9	InS prm1
61	Rap Lead 1	Ld	Hall 1	Chorus 1	Thru	Thru	ELFO-PM	off	off	off	off	off	ChoSend	FLT-Frq	FLT-Rez
62	Rap Lead 2	Ld	Hall 1	Chorus 1	Thru	Thru	ELFO-PM	off	off	off	off	off	ChoSend	FLT-Frq	FLT-Rez
63	Rap Lead 3	Ld	Hall 1	Chorus 1	Thru	Thru	ELFO-PM	off	off	off	off	off	PCH-Crs	FLT-Frq	FLT-Rez
64	1 is more	Ld	Hall 1	Ensemble	Thru	Delay LR	CLFO-D1	off	off	off	off	off	FLT-Frq	ChoSend	AEG-Atk

No.	Voice Name	Category	Reverb Type	Chorus Type	Insertion1 Type	Insertion2 Type	MW	PB	AT	FC	BC	FS	RB	Kn1	Kn2
65	EchoSaw	Ld	Hall 1	Tempo Delay2	2band EQ	Phaser 2	CLFO-D1	off	CLFO-D1	off	off	off	FLT-Frq	RevSend	ChoSend
66	Sync Lead	Ld	Hall 1	Delay LR	Exciter	Ensemble Detune	ELFO-PM	off	off	off	off	off	FLT-Frq	InsS prm1	ELM-Lvl
67	X-File	Ld	Stage 1	Delay LR	Thru	V-Flanger	ELFO-PM	off	off	off	off	off	PCH-Crs	PorTime	RevSend
68	Oasis	Pd	Hall 2	Celeste 4	Auto Pan	Cross Delay	ELFO-PM, ELFO-FM	off	off	off	off	off	FLT-Rez, FLT-Frq	InsS prm1	PCH-Crs
69	Fat Sweep	Pd	Hall 2	Symphonic	Chorus 4	Cross Delay	ELFO-PM	off	off	off	off	off	FLT-Frq	ChoSend	InsL prm10
70	Luminosity	Pd	Hall 1	Chorus 1	Flanger 2	Delay LCR	ELFO-AM	off	off	off	off	off	InsS prm3, InsS prm10	RevSend	ChoSend
71	Sartori	Pd	Canyon	Chorus 2	Phaser	Auto Pan	ELM-Lvl, ELM-Lvl, FLT-Frq	off	off	off	off	off	FLT-Frq	InsL prm1	ChoSend
72	Jupiter	Pd	Hall 1	Chorus 1	Thru	Celeste 2	ELFO-AM	off	off	off	off	off	FLT-Frq	ELFOSpd	InsL prm10
73	Wahbrass	Pd	Hall 2	Chorus 4	Exciter	Tempo Phaser	CLFO-D1	off	off	off	off	off	FLT-Frq	ELM-Lvl	ELM-Lvl
74	Sine Pad	Pd	Hall 2	Chorus 1	Thru	Symphonic	CLFO-D1	off	off	off	off	off	InsL prm1	ChoSend	RevSend
75	RoundGlass	Pd	Stage 1	Celeste 1	Phaser	Auto Pan	ELFO-AM	off	off	off	off	off	PCH-Crs	RevSend	ChoSend
76	White Pad	Pd	Hall 2	Delay LR	Chorus 4	Chorus 5	CLFO-D1	off	off	off	off	off	FLT-Frq	FLT-Frq	InsL prm1, InsL prm2
77	Dark Angel	Pd	Tunnel	Tempo Cross Delay	Celeste 3	Thru	FLT-Rez, FLT-Frq, ELM-Lvl	FLT-Frq	off	off	off	off	InsS prm3, InsS prm1	off	off
78	Warmer	Pd	Hall 1	Chorus 1	Thru	Thru	CLFO-D1	off	off	off	off	off	FLT-Frq	RevSend	ChoSend
79	Dazed	Pd	Hall 1	Chorus 1	Phaser	Hall 1	FLT-Frq	off	off	off	off	off	PCH-Crs	RevSend	ChoSend
80	CM Pad	Pd	Hall 1	Symphonic	Flanger 1	Cross Delay	ELFO-PM	off	off	off	off	off	FLT-Frq, AEG-Atk, FLT-Rez	ELM-Lvl	InsS prm3
81	Panorama	Pd	Hall 1	Chorus 1	Thru	Echo	ELFO-PM	off	off	off	off	off	FLT-Frq	ELM-Lvl	ChoSend
82	Glacier	Pd	Stage 1	Tempo Cross Delay	Celeste 4	Harmonic Enhancer	InsS prm1	off	off	off	off	off	PCH-Crs	ELM-Lvl	ChoSend
83	Sunnydaze	Pd	Stage 1	Tempo Cross Delay	Chorus 1	Chorus 1	ELFO-AM, ELM-Lvl	off	off	off	off	off	Inst. prm2	InsL prm10, InsS prm10	ELFOSpd
84	Cronen	Pd	Plate	off	Chorus 3	Rotary Speaker 1	InsL prm1, InsL prm9	off	off	off	off	off	InsS prm2	ELM-Lvl, ELM-Lvl	InsS prm3
85	Sprinkler	Pd	Hall 1	Chorus 1	Thru	V-Flanger	ChoSend, Volume	off	off	off	off	off	PCH-Crs	ELM-Lvl	AEG-Atk, AEG-Rel
86	Nush	Pd	Room 3	Tempo Cross Delay	Celeste 3	Harmonic Enhancer	ELFO-FM, ELFOSpd	off	off	off	off	off	ELFO-AM	InsL prm1	InsL prm2
87	Ethereal	Pd	Plate	Symphonic	Thru	Thru	CLFO-D1	off	off	off	off	off	FLT-Frq	CLFOSpd	ChoSend
88	HPFx	Fx	Hall 2	Ensemble	Exciter	Cross Delay	CLFO-D1, ELM-Lvl	off	off	off	off	off	FLT-Frq	FEG-Dpt	InsL prm10
89	Sleep	Fx	Tunnel	Chorus 5	Exciter	Delay LR	ELFO-FM	off	off	off	off	off	FLT-Frq	InsL prm10	InsS prm2
90	Chlorophyl	Fx	Hall 2	Symphonic	Auto Pan	Talking Modulator	ELM-Lvl	off	off	off	off	off	FLT-Frq	InsS prm1	ChoSend
91	Mayflower	Fx	Canyon	Tempo Cross Delay	Flanger 3	Compressor	ELFO-AM, PCH-Fin	off	off	off	off	off	PCH-Crs	ELFOSpd, ELFO-PM	InsS prm1
92	Light Ray	Fx	Hall 1	Chorus 1	Phaser	Flanger 2	FLT-Frq	off	off	off	off	off	ELFOSpd	PCH-Crs	ELFO-AM
93	Algae	Fx	Stage 1	Symphonic	Exciter	Voice Cancelar	InsS prm3, InsS prm2	off	off	off	off	off	CLFO-D2	InsS prm1	CLFOSpd
94	So Deep	Fx	Hall 2	Symphonic	Thru	Thru	FLT-Frq	off	off	off	off	off	PCH-Crs	ELM-Lvl	ChoSend
95	Jets	Se	Hall 1	Phaser	Thru	Phaser 2	ELFO-FM	off	off	off	off	off	Inst. prm1	ChoSend	FLT-Frq, PCH-Crs
96	Plukker	Sc	White Room	Celeste 3	Thru	Thru	ELFO-PM	off	off	off	off	off	PCH-Crs	FLT-Frq	RevSend
97	G-na-G	Sc	Hall 2	Celeste 4	Chorus 2	Thru	PCH-Fin, PCH-Fin	off	off	off	off	off	FLT-Frq, FLT-Rez	RevSend	FEG-D1
98	Del Mar	Sc	Stage 1	Chorus 1	Thru	Delay LR	FLT-Frq	off	off	off	off	off	FLT-Rez	InsL prm10	ELM-Lvl
99	Pulse Clav	Sc	Hall 1	Phaser	Thru	Thru	ELFO-PM	off	off	off	off	off	FLT-Frq	FLT-Rez	RevSend, ChoSend
100	Rezzo	Sc	Hall 2	Flanger 1	Compressor	Control Delay1	FLT-Frq, ChoSend, FLT-Rez	off	off	off	off	off	FLT-Frq	FLT-Rez	RevSend
101	Sebastian	Sc	Hall 2	Chorus 1	3band EQ	Delay LCR	ELFO-PM, ELFO-FM	off	off	off	off	off	FLT-Frq, FEG-D2	InsL prm10	ELM-Lvl
102	Saw Perc	Sc	Hall 1	Ensemble	Flanger 1	Cross Delay	ChoSend	off	off	off	off	off	FLT-Frq	InsS prm10	InsL prm10
103	PolyPoly	Sc	Hall 1	Ensemble	Auto Wah	Delay LR	FLT-Frq	off	off	off	off	off	FLT-Rez	AEG-D2, FEG-Dpt	InsS prm9
104	Portachord	Sc	Hall 1	Chorus 4	Thru	Delay LR	FLT-Rez, FLT-Frq, ChoSend	off	off	off	off	off	FLT-Frq	FEG-Atk	ChoSend
105	Play Hip	Sc	Room 1	Chorus 3	AMP Simulator	Tempo Delay 2	FLT-Frq, RevSend	off	off	off	off	off	FLT-Rez	ChoSend	RevSend
106	Thin Man	Sc	Hall 2	Ensemble	Compressor	Cross Delay	FLT-Frq	off	off	off	off	off	FLT-Frq	AEG-Atk, AEG-Rel	ChoSend, ELM-Lvl
107	Spitter	Sc	Hall 1	Chorus 1	3band EQ	Flanger 1	ELFO-PM	off	off	off	off	off	FLT-Frq, FLT-Rez	ELM-Lvl	RevSend
108	Straight	Sc	Hall 1	Ensemble	Celeste 4	Cross Delay	ELFO-PM	off	off	off	off	off	FLT-Frq	FLT-Rez	ELM-Lvl
109	Arabesque	Sc	Hall 1	Chorus 1	Compressor	Hall 2	FLT-Frq, ELM-Lvl, ELM-Pan	off	off	off	off	off	FLT-Frq	InsL prm13	AEG-D1
110	Tranzkor	Sc	Room 3	Chorus 2	Compressor	Talking Modulator	InsL prm1	off	off	off	off	off	InsL prm1	ELM-Lvl	InsS prm3, InsS prm5
111	Percolator	Sc	Basement	Tempo Delay1	Thru	Thru	ELFO-PM	off	ELFO-PM	ELFOSpd	off	off	PCH-Crs	RevSend	ChoSend
112	AnalogSplit	Co	Hall 1	Chorus 1	Phaser	Tempo Delay 2	ELFO-PM	off	ELFO-PM	off	off	off	FLT-Frq	InsS prm1	InsL prm10
113	Opener	Sq	Hall 1	Tempo Cross Delay	Chorus 4	Tempo Phaser	FLT-Frq, InsL prm10	off	off	off	off	off	FLT-Frq	FEG-Atk	ChoSend, InsL prm10
114	Collusion	Sq	Stage 1	Chorus 1	Thru	Delay LR	FLT-Frq	off	off	off	off	off	ELM-Pan	PCH-Crs	ELFO-AM
115	Double Arp	Sq	Hall 1	Tempo Cross Delay	Thru	Ensemble Detune	FLT-Frq, InsL prm10	off	off	off	off	off	FLT-Rez	FEG-Atk	ChoSend, InsL prm10
116	DX Flangi	Sq	Room 2	Tempo Delay1	Compressor	Tempo Flanger	ChoSend, InsL prm10, AEG-D1	off	off	off	off	off	FLT-Frq	ELM-Lvl	RevSend
117	Circle	Sq	Hall 2	Phaser	Compressor	Tempo Delay 2	ELM-Lvl, AEG-D1, ChoSend	off	off	off	off	off	FLT-Frq	FLT-Rez	RevSend
118	Laizer	Sq	Hall 2	Chorus 2	Compressor	Tempo Delay 2	ELM-Lvl, FLT-Frq, ChoSend	off	off	off	off	off	ELM-Lvl	ELM-Dly	InsL prm10
119	Healer	Sq	Room 1	Ensemble	Phaser	Delay LR	ELFO-PM	off	off	off	off	off	PorTime	RevSend	InsL prm10
120	Chips	Sq	Hall 1	Tempo Cross Delay	Thru	Ensemble Detune	FLT-Frq, FEG-D1	off	off	off	off	off	FLT-Frq	FEG-D1, FLT-Frq	InsL prm10
121	3D Light	Sq	Hall 2	Tempo Delay1	Phaser	Hall 2	ELM-Lvl, FLT-Frq, RevSend	off	off	off	off	off	ELM-Pan	AEG-Atk	ELM-Pan
122	Chordal	Sq	Hall 1	Chorus 4	Thru	Delay LR	AEG-D2, FLT-Frq	off	off	off	off	off	FLT-Frq	PEG-Dpt	InsL prm10, ChoSend
123	Soft Attkc	Sq	Hall 1	Tempo Cross Delay	Thru	Ensemble Detune	AEG-D2, FEG-D1	off	off	off	off	off	FLT-Frq	ELM-Lvl, FLT-Frq	InsL prm10
124	Orgmatic	Sq	Hall 2	Phaser	Compressor	Tempo Delay 2	InsL prm10, ELM-Lvl, ELM-Lvl	off	off	off	off	off	FLT-Frq	FLT-Rez	RevSend
125	Short Cut	Sq	Hall 1	Delay LR	Thru	Thru	FLT-Frq	off	off	off	off	off	FLT-Rez	FEG-Atk	FEG-Dpt, ELM-Lvl
126	StepSeq	Sq	Room 1	Ensemble	Phaser	Thru	InsS prm10	off	off	off	off	off	PCH-Crs	RevSend	ChoSend
127	Alone	Sq	Hall 1	Tempo Cross Delay	Compressor	Ensemble Detune	FLT-Frq	FEG-D1	off	off	off	off	FLT-Frq	ELM-Lvl	InsL prm10
128	Spectral	Sq	White Room	Ensemble	Compressor	Tempo Delay 1	AEG-D1, ChoSend	ELM-Pan	off	off	off	off	FLT-Frq	FLT-Frq	RevSend

Internal (MSB=63, LSB=8)

No.	Voice Name	Category	Reverb Type	Chorus Type	Insertion1 Type	Insertion2 Type	MW	PB	AT	FC	BC	FS	RB	Kn1	Kn2
1	Generation	Sq	Hall 2	Tempo Cross Delay	Exciter	Ensemble Detune	FLT-Rez, FLT-Frq	off	off	off	off	off	FLT-Frq	FLT-Rez	InsS prm1
2	Champ	Fx	Hall 2	Delay LR	Chorus 1	Ensemble Detune	FLT-Rez, ELM-Lvl	off	off	off	off	off	FLT-Frq	FEG-Atk	InsL prm10
3	Puppy	Sq	Hall 2	Chorus 5	Auto Wah	V-Distortion	ELM-Lvl	off	off	off	off	off	RevSend	InsL prm1	PCH-Crs
4	DontLetGo	Fx	Hall 1	Control Delay1	Chorus 4	Delay LR	ELFO-PM, ELFO-SPd, ELFO-FM, ChoSend, ELM-Lvl, FLT-Frq	off	off	off	off	off	FLT-Frq	PCH-Crs	RevSend
5	Berlin	Sc	Hall 2	Flanger 3	Chorus 4	Cross Delay	ChoSend, ELM-Lvl, FLT-Frq	off	off	off	off	off	FLT-Frq	FLT-Frq	PEG-Dpt
6	Frequencyz	Sq	off	Tempo Cross Delay	Thru	Gate Reverb	ChoSend	off	off	off	off	off	FLT-Frq, FLT-Frq	FLT-Frq, FLT-Frq	InsL prm10
7	1001 Sub	Ba	Stage 2	Ensemble	Thru	Echo	ChoSend, ELM-Lvl	off	off	off	off	off	FLT-Frq	FLT-Frq, FEG-D1	InsL prm10
8	Oberweich	Pd	Hall 1	Chorus 1	Thru	Thru	CLFO-D1	off	off	off	off	off	FLT-Frq	RevSend	ChoSend
9	Hard road	Sq	Hall 1	Flanger 2	AMP Simulator	Delay LR	FEG-Atk, FLT-Frq	off	off	off	off	off	FLT-Frq	FEG-Atk, FLT-Frq	InsS prm6
10	Protection	Fx	Plate	Symphonic	Compressor	Auto Synth	InsL prm10, AEG-Atk, FEG-Atk	off	off	off	off	off	PCH-Fin	InsL prm12	InsL prm3
11	Nodes	Sq	Room 3	Control Delay1	Compressor	LO-FI	InsL prm1	off	off	off	off	off	InsL prm10	InsL prm2	PEG-Atk
12	Flangefill	Ld	Hall 1	Tempo Cross Delay	Celeste 1	Tempo Flanger	InsS prm10	off	off	off	off	off	FLT-Frq	InsL prm2, InsS prm3	InsS prm1, InsS prm2
13	FormaWheel	Ba	White Room	Celeste 3	Compressor	Talking Modulator	InsL prm1, ChoSend	off	off	off	off	off	FLT-Frq, FLT-Frq	AEG-Atk	RevSend
14	Ambi Star	Fx	Hall 2	Ensemble	Flanger 3	Cross Delay	FLT-Frq, FLT-Rez, ChoSend	off	off	off	off	off	PCH-Crs	InsS prm1	InsS prm10
15	Assembly	Fx	Hall 2	Celeste 4	3band EQ	Talking Modulator	InsL prm1, ELFO-FM	off	off	off	off	off	FLT-Frq	InsL prm1	ELM-Lvl
16	Topnotched	Fx	Hall 1	Tempo Delay2	Thru	Thru	ChoSend	off	off	off	off	off	ELFO-AM	ELFO-SPd	FLT-Frq, FLT-Frq
17	Foundation	Sq	Hall 1	Tempo Cross Delay	Exciter	Ensemble Detune	FLT-Frq	off	off	off	off	off	FLT-Frq	InsS prm1	ChoSend
18	Sweepy	Ba	Hall 2	Chorus 4	Thru	Delay LR	FLT-Frq, ChoSend	off	off	off	off	off	FLT-Rez	FEG-Atk	InsL prm10, ChoSend
19	Roxy	Fx	Hall 2	Ensemble	Chorus 4	Thru	CLFO-D1, CLFO-D2, ELM-Lvl	off	off	off	off	off	FLT-Rez	FEG-Dpt	CLFO-SPd
20	Quartz	Sq	Tunnel	Control Delay1	Flanger 3	Voice Cancelar	ELM-Lvl	off	off	off	off	off	InsS prm10	InsL prm11	InsL prm12
21	No-Tech	Sq	Hall 1	Ensemble	Phaser	Pitch Change 2	InsS prm1	off	off	off	off	off	PCH-Crs	ELM-Lvl	InsS prm10
22	Atom	Sq	White Room	Phaser	Thru	Talking Modulator	ELFO-SPd	off	off	off	off	off	ELM-Lvl	InsL prm1	PCH-Crs
23	Mistubishi	Ld	Plate	Chorus 2	Exciter	Tech Modulation	CLFO-D1, ELFO-FM	off	off	off	off	off	PCH-Fin	InsS prm3	InsL prm2
24	Les Lee	Fx	Plate	Ensemble	Phaser	Auto Pan	ELFO-FM, FLT-Frq, ELFO-AM	off	off	off	off	off	InsS prm9	ELFO-SPd	InsL prm1
25	Synfonic	Sq	Hall 2	Chorus 1	Thru	Tempo Cross Delay	InsL prm10, ChoSend, FLT-Frq	off	off	off	off	off	FLT-Frq	InsL prm10	RevSend
26	Bones	Sc	White Room	Tempo Phaser	Thru	Noisy	AEG-D1, ChoSend	off	off	off	off	off	FLT-Frq	AEG-Atk, FLT-Frq	ELM-Pan
27	Gleam	Pd	Hall 1	Delay LR	Chorus 1	Thru	ELFO-AM	off	off	off	off	off	PCH-Crs	RevSend	InsS prm10
28	Fuzzline	Ba	Hall 1	Phaser	Distortion	Delay LR	ChoSend, ELM-Lvl	off	off	off	off	off	InsS prm4	InsS prm10, ELM-Lvl	InsL prm10
29	Filtopia	Sc	Hall 1	Chorus 1	Compressor	Hall 2	ELM-Lvl, ChoSend, FLT-Frq	off	off	off	off	off	ELM-Pan	FEG-Atk	FLT-Frq
30	Perfecto	Pd	Hall 1	Delay LR	Chorus 1	Thru	CLFO-SPd	FLT-Frq	off	off	off	off	FLT-Frq	CLFO-D1	FLT-Frq, FLT-Frq
31	Let's Goa	Ba	Plate	Tempo Flanger	Phaser	Tempo Cross Delay	ChoSend, RevSend	off	off	off	off	off	InsS prm2	ELM-Lvl, ELM-Lvl	PCH-Crs
32	X-Talk	Sq	White Room	Celeste 3	Compressor	Talking Modulator	InsL prm1, ChoSend, Volume	off	off	off	off	off	AEG-D1	ELM-Lvl	RevSend
33	Shine Seq	Sq	Hall 1	Tempo Cross Delay	Chorus 1	Ensemble Detune	FLT-Rez	off	off	off	off	off	FLT-Rez	FLT-Frq, ELM-Lvl, CLFO-D1	FLT-Rez
34	Alphawaves	Fx	Canyon	Tempo Cross Delay	Phaser	Flanger 3	ELFO-AM	off	off	off	off	off	CLFO-SPd	ELFO-SPd, ELFO-SPd	ELFO-PM, CLFO-D2
35	Sheen	Sc	Hall 1	Chorus 1	Auto Wah	Cross Delay	InsS prm2	off	off	off	off	off	FLT-Frq	ChoSend	InsL prm10
36	Vector	Fx	Hall 1	Ensemble	Celeste 1	Flanger 1	InsS prm1	off	off	off	off	off	PCH-Crs	ELM-Lvl	ChoSend
37	Hacker	Se	Hall 1	Tempo Cross Delay	Compressor	Gate Reverb	ELFO-FM	off	off	off	off	off	ELFO-SPd	CLFO-D1	CLFO-D2
38	Letfield	Sq	Stage 1	Chorus 1	Thru	Delay LR	FEG-D1	off	off	off	off	off	FLT-Frq	ChoSend	RevSend
39	Insomnia	Sc	Hall 1	Tempo Phaser	Compressor	Thru	FLT-Frq	off	off	off	off	off	PCH-Crs	RevSend	ELM-Lvl
40	ChimzArt	Fx	Hall 1	Chorus 1	Compressor	Hall 2	ELM-Lvl, ELM-Lvl, Volume	off	off	off	off	off	FLT-Frq	ChoSend	ELM-Pan
41	Frontline	Ld	Hall 1	Ensemble	Distortion	Cross Delay	ChoSend, ELM-Lvl	off	off	off	off	off	FLT-Frq	PCH-Fin	ChoSend
42	Kickwheel	Sq	Hall 1	Tempo Flanger	Distortion	Delay LR	ELM-Lvl, ChoSend	off	off	off	off	off	FLT-Frq	InsL prm10, ELM-Lvl	HPF-Frq
43	Fat Four	Sq	Hall 2	Tempo Delay1	Chorus 1	Touch Wah Overdrive	ELM-Lvl, FLT-Frq, RevSend	off	off	off	off	off	ELM-Pan	FEG-Atk	AEG-Rel
44	D-tune	Ld	Hall 1	Tempo Cross Delay	Thru	Thru	CLFO-D1	off	off	off	off	off	CLFO-SPd	ELFO-SPd, ELFO-FM	PCH-Fin, PCH-Fin
45	Eb drone	Fx	Hall 1	Flanger 1	Thru	Hall 1	AEG-D1, Volume	off	off	off	off	off	PCH-Crs	FLT-Rez, FLT-Frq	InsL prm15
46	Dreamscape	Sq	Plate	Tempo Delay1	Thru	Ensemble Detune	FLT-Rez, FLT-Frq	off	off	off	off	off	FLT-Frq	FEG-Atk, ChoSend	InsL prm10
47	Hades	Fx	Hall 1	Delay LR	Thru	Celeste 2	ELFO-PM	off	off	off	off	off	FLT-Frq	RevSend	ChoSend
48	Manufactur	Se	Room 1	Ensemble	Phaser	Delay LR	ELFO-PM	off	off	off	off	off	CLFO-D1	ELM-Pan, ELM-Pan	RevSend
49	Liquito	Sc	Hall 1	Chorus 1	Compressor	V-Flanger	AEG-Rel, FLT-Frq, AEG-D1	off	off	off	off	off	FLT-Frq	FLT-Rez	RevSend
50	Kustom	Br	Hall 2	Chorus 1	Compressor	Tempo Cross Delay	FLT-Frq, RevSend, ChoSend	off	off	off	off	off	FLT-Frq	ELM-Lvl	InsL prm10
51	S - E	Se	Stage 2	Chorus 1	Flanger 3	Tempo Cross Delay	ELFO-PM	off	off	off	off	off	InsS prm3, FLT-Frq	InsS prm1	InsS prm3
52	Dew Drop	Fx	Stage 1	Tempo Delay1	Phaser	Pitch Change 2	InsS prm1	off	off	off	off	off	PCH-Crs	ELM-Lvl	InsL prm10, ChoSend
53	Talitha	Fx	Room 3	Delay LR	Auto Wah	2Way Rotary Speaker	PCH-Fin	off	off	off	off	off	InsS prm3	InsL prm9	InsS prm2
54	Thruater	Ld	Hall 1	Ensemble	Distortion	Cross Delay	FLT-Frq	off	off	off	off	off	FLT-Frq	InsS prm10, FEG-Atk	InsL prm10, ChoSend
55	Polystar	Sq	Hall 1	Ensemble	Thru	Delay LR	AEG-D2, FEG-D1	off	off	off	off	off	FLT-Frq	FEG-D1, FLT-Frq	InsL prm10
56	Syntax	Ld	Hall 1	Ensemble	Flanger 3	Delay LCR	FLT-Frq	off	off	off	off	off	FLT-Frq	InsS prm10	ChoSend
57	Supersnap	Sq	Hall 1	Phaser	Compressor	Delay LR	ELM-Lvl	off	off	off	off	off	FLT-Frq	ELM-Lvl	ChoSend, InsL prm10
58	Noire	Fx	Plate	Ensemble	Chorus 4	Ensemble Detune	ELFO-PM	off	off	off	off	off	FLT-Frq	InsS prm3, InsS prm2	PCH-Crs
59	Shadow	Pd	Hall 2	Flanger 1	Celeste 4	Jump	InsL prm2, ChoSend	off	off	off	off	off	FLT-Frq	FLT-Frq	InsL prm9
60	Vortex	Pd	White Room	Chorus 1	Flanger 3	Thru	ELFO-PM, ELFO-FM	off	off	off	off	off	InsS prm3, InsS prm2, InsS prm1	PCH-Crs	off
61	BPFx	Fx	Hall 2	Ensemble	Chorus 4	Cross Delay	CLFO-D1, ELM-Lvl	off	off	off	off	off	FLT-Frq	FEG-Dpt	InsL prm10
62	Wazzo	Ba	Room 3	Chorus 4	Compressor	Harmonic Enhancer	AEG-Atk, AEG-Rel, Volume	off	off	off	off	off	FEG-Dpt	ELM-Lvl	InsL prm1
63	Andromeda	Fx	Stage 1	Delay LR	Phaser	Flanger 1	InsS prm1	off	off	off	off	off	PCH-Crs	RevSend	ChoSend
64	Squeezer	Sq	Hall 1	Ensemble	Phaser	Pitch Change 2	InsS prm1	off	off	off	off	off	InsS prm4	ELM-Lvl	RevSend

No.	Voice Name	Category	Reverb Type	Chorus Type	Insertion1 Type	Insertion2 Type	MW	PB	AT	FC	BC	FS	RB	Kn1	Kn2
65	Watergate	Sq	Hall 1	Tempo Cross Delay	Thru	Ensemble Detune	FLT-Frq, FLT-Rez, ELM-Lvl	off	off	off	off	off	FLT-Rez	FLT-Frq	FLT-Rez
66	Banshee	Se	White Room	Phaser	Flanger 1	WAH+Dist+Delay	InsL_prm12	off	off	off	off	off	FLT-Frq	InsL_prm13	InsL_prm2
67	Sputnik	Fx	Hall 1	Chorus 1	Thru	Thru	AEG-Atk, AEG-Rel	off	off	off	off	off	PCH-Crs	PCH-Crs	ELFOSpd, CLFOSpd
68	Massacre	Ba	Room 3	Symphonic	Compressor	Odrv + 2Way Rotary Speaker	ELM-Lvl	off	off	off	off	off	FLT-Frq	PEG-Dpt	InsL_prm4
69	NuAcid	Sq	Hall 2	Chorus 1	Auto Pan	Delay LR	FLT-Frq	off	off	off	off	off	ELM-Pan, ELM-Pan	FEG-Dpt	InsL_prm5
70	DigJee	Sc	White Room	Chorus 2	Compressor	Tempo Delay 1	AEG-D1, ChoSend, FLT-Frq	off	off	off	off	off	FLT-Frq	RevSend	AEG-Rel
71	Scabs	Se	Canyon	Delay LR	Thru	Reverse Gate	ELFOSpd, ELFO-FM	off	off	off	off	off	PCH-Crs	ChoSend	RevSend
72	Big Wing	Pd	Stage 1	Ensemble	Celeste 4	Harmonic Enhancer	ELM-Lvl	off	off	off	off	off	PCH-Crs	InsL_prm3	RevSend
73	Techbass	Ba	Room 1	Tempo Cross Delay	Compressor	Reverse Gate	ChoSend	off	off	off	off	off	RevSend	FEG-D1, FLT-Frq	ELM-Lvl, ELM-Lvl
74	Kane	Ld	Hall 1	Chorus 4	Distortion	Cross Delay	FLT-Frq	off	off	off	off	off	FLT-Frq	InsS_prm3, ELM-Lvl	InsS_prm1
75	Voltage	Se	Hall 2	Flanger 2	AMP Simulator	Auto Synth	InsL_prm13	off	off	off	off	off	InsL_prm3	InsL_prm1	ChoSend, ELM-Lvl
76	Rabbit	Sq	Hall 1	Tempo Flanger	Distortion	Delay LR	FEG-Atk, InsS_prm9, InsS_prm1	off	off	off	off	off	FLT-Frq	FEG-Atk	InsS_prm4
77	Lenanshee	Fx	Hall 1	Symphonic	Auto Pan	Auto Synth	InsL_prm10, AEG-Atk, FEG-Atk	off	off	off	off	off	PCH-Fin	InsL_prm12	InsL_prm3
78	ShineWave	Pd	White Room	Ensemble	Phaser	V-Flanger	InsL_prm1	off	off	off	off	off	ELFO-FM	FLT-Frq	InsL_prm10, InsL_prm14
79	Mr. Hook	Sq	Hall 1	Tempo Cross Delay	Thru	Celeste 4	FLT-Frq	off	off	off	off	off	FLT-Frq	InsL_prm10, ELM-Lvl	ChoSend
80	Creature	Se	Hall 1	Control Delay1	Thru	Pitch Change 2	FLT-Frq	off	off	off	off	off	PCH-Crs	RevSend	ChoSend
81	Rezorgan	Sq	Hall 1	Tempo Cross Delay	Compressor	Chorus 1	ELFO-FM	off	off	off	off	off	FLT-Frq, FLT-Frq	PCH-Crs, InsL_prm10	ELFOSpd
82	Popcorn	Sq	Hall 1	Chorus 1	Chorus 1	Delay LR	CLFO-D1	off	off	off	off	off	FLT-Frq	RevSend	InsS_prm10
83	Shanti	Vo	Hall 1	Tempo Delay2	Flanger 1	Tempo Cross Delay	ELFO-AM, Volume	off	off	off	off	off	ELM-Lvl	ELFOSpd	InsS_prm3
84	Fullhouz	Sc	White Room	Tempo Cross Delay	Auto Pan	Noisy	ELM-Lvl, ChoSend, AEG-D1	off	off	off	off	off	FLT-Frq	ChoSend	RevSend
85	Brown Eyes	Fx	Plate	Symphonic	Exciter	Auto Synth	InsL_prm10, FEG-Atk	off	off	off	off	off	FLT-Frq, FLT-Frq	InsL_prm12	InsL_prm3
86	MGul	Sq	Hall 2	Chorus 2	Compressor	Tempo Cross Delay	FLT-Frq, RevSend, ChoSend	off	off	off	off	off	ELM-Pan	FLT-Frq	InsL_prm10
87	Knobmod	Se	Tunnel	off	Thru	Auto Synth	ELFO-PM	off	off	off	off	off	InsL_prm3	InsL_prm1, CLFOSpd	InsL_prm15, ELFO-PM
88	90th Jimi	Fx	Hall 1	Flanger 2	AMP Simulator	Jump	ChoSend, FLT-Frq	off	off	off	off	off	FLT-Frq	FEG-Atk, FLT-Frq	InsS_prm6
89	Twilight	Fx	Canyon	Tempo Cross Delay	Celeste 4	Pitch Change 1	ELFO-AM, ELFOSpd	off	off	off	off	off	PCH-Crs	ELFOSpd, CLFOSpd	PCH-Crs
90	Wheels	Fx	Hall 1	Flanger 1	3band EQ	Auto Synth	ELFO-AM, ELFO-PM, InsL_prm4, FLT-Rez	off	off	off	off	off	PCH-Crs	InsL_prm1	off
91	Seal	Sq	Hall 2	Tempo Cross Delay	Chorus 4	Ensemble Detune	FLT-Rez, ELM-Lvl	off	off	off	off	off	FLT-Rez, ELM-Lvl	ELM-Lvl	ChoSend
92	Rndm Gruv	Fx	Hall 2	Ensemble	Chorus 4	Cross Delay	CLFO-D1, ChoSend	off	off	off	off	off	FLT-Frq	ChoSend, ELM-Lvl	CLFO-D2
93	Molecule	Fx	Hall 1	Tempo Cross Delay	Phaser	Ensemble Detune	ELFO-FM, InsS_prm1, InsS_prm2	off	off	off	off	off	off	ELFOSpd	ELM-Lvl, ELM-Lvl
94	Big Wave	Pd	Hall 1	Delay LR	Auto Pan	Chorus 1	InsL_prm1	off	off	off	off	off	PCH-Crs	RevSend	ChoSend
95	Gunman	Ba	Hall 1	Chorus 1	Compressor	Thru	AEG-Atk, FLT-Frq	off	off	off	off	off	PCH-Fin, PCH-Fin	ChoSend	RevSend
96	Drumnotize	Se	Hall 1	Chorus 1	3band EQ	AMP Simulator	FLT-Frq	off	off	off	off	off	InsL_prm10	ELFO-PM	PCH-Crs
97	Capacitor	Ld	Plate	Tempo Delay1	Compressor	V-Distortion	PEG-Atk	ELFO-PM	ELM-Lvl	off	off	off	FLT-Frq	InsL_prm1	InsL_prm4
98	Answers	Pd	Hall 1	Chorus 1	Thru	Delay LR	PCH-Fin, PCH-Fin	off	off	off	off	off	ELM-Pan	ELM-Dly	RevSend
99	Fun(k-)	Sq	Room 1	Control Delay2	Compressor	Low Resolution	ChoSend, RevSend	off	off	off	off	off	FLT-Frq	AEG-D2	FLT-Frq
100	Android	Sq	Hall 1	Tempo Cross Delay	Compressor	Ensemble Detune	ELM-Lvl, InsL_prm10	off	off	off	off	off	ChoSend	ELM-Lvl	InsS_prm3, InsS_prm5
101	Teardrops	Fx	Room 3	Control Delay1	Phaser	Compressor	InsS_prm4, AEG-Atk, Volume	off	off	off	off	off	FLT-Frq	InsS_prm10	InsS_prm1
102	DJ Vox	Sc	White Room	Chorus 2	Compressor	Low Resolution	InsL_prm1, ChoSend, ELM-Lvl	off	off	off	off	off	FLT-Frq	RevSend	FLT-Frq
103	QuietEarth	Pd	Hall 1	Flanger 3	Phaser	Harmonic Enhancer	PCH-Fin, PCH-Fin	off	off	off	off	off	FLT-Frq, InsS_prm9	ChoSend	InsS_prm1
104	Blackhole	Sq	Plate	Phaser	Thru	Beat Change	InsL_prm1	off	off	off	off	off	InsL_prm2	InsL_prm3	InsL_prm4
105	Drifting	Fx	Plate	Chorus 5	Exciter	Delay LR	CLFO-D1	off	off	off	off	off	FLT-Frq	InsS_prm2, ELM-Lvl, ELM-Lvl	InsL_prm10
106	Navigator	Sq	Hall 2	Tempo Cross Delay	Thru	Ensemble Detune	FLT-Frq	off	off	off	off	off	FLT-Rez	FEG-Atk	ChoSend
107	Binary	Sq	Stage 1	Chorus 1	Thru	Tempo Phaser	PCH-Crs	off	off	off	off	off	FLT-Frq	RevSend	ELM-Lvl
108	Blu	Sq	Hall 1	Delay LR	Thru	Hall 1	FLT-Frq, FLT-Frq, ChoSend	off	off	off	off	off	ELM-Lvl	AEG-Rel	ELM-Lvl
109	Rosy	Sq	Hall 1	Ensemble	Thru	Delay LR	FLT-Frq	off	off	off	off	off	FLT-Frq	FEG-Atk	InsL_prm10
110	Psycho	Fx	Hall 1	Chorus 1	Thru	Harmonic Enhancer	ELFO-PM	off	FLT-Rez	off	off	off	FLT-Frq, ELM-Lvl	RevSend	PCH-Crs
111	Dog	Ba	Stage 2	Chorus 1	AMP Simulator	Delay LR	HPF-Frq, FLT-Frq	off	off	off	off	off	FLT-Frq	HPF-Frq	InsL_prm10
112	Pneumatic	Sq	Hall 1	Delay LR	Overdrive	Delay LR	FLT-Frq	off	off	off	off	off	PCH-Crs	AEG-Rel	InsS_prm10
113	SpaceWhirl	Ld	Tunnel	Tempo Delay2	Compressor	Tempo Phaser	InsL_prm10, FLT-Frq, AEG-Rel	off	off	off	off	off	FLT-Frq	RevSend	ChoSend
114	Phantom	Fx	Hall 1	Delay LR	Chorus 1	Reverse Gate	InsS_prm10	off	off	off	off	off	PCH-Crs	InsL_prm10, ChoSend	ELFO-FM, CLFO-D2
115	Millennium	Se	Hall 1	Flanger 1	Exciter	Hall 2	ELFO-PM, ELFO-FM	off	off	off	off	off	PEG-Dpt, FLT-Frq	InsS_prm1	PCH-Crs
116	Auto Saw	Fx	Hall 2	Chorus 4	Thru	Thru	ELFOSpd	off	off	off	off	off	FLT-Frq	ELM-Lvl	ELM-Lvl
117	Bel Air	Fx	Hall 2	Chorus 4	Exciter	Flanger 3	InsS_prm1, FLT-Rez, FLT-Frq	off	off	off	off	off	FLT-Frq	InsL_prm10	ChoSend
118	Magnetic	Ba	Canyon	Tempo Cross Delay	Thru	Compressor	ELM-Lvl	off	off	off	off	off	ChoSend	FLT-Frq, FLT-Frq	CLFOSpd, ELFOSpd
119	Phalaxi	Sq	Hall 1	Tempo Phaser	Compressor	Hall 2	ChoSend, RevSend, FLT-Frq	off	off	off	off	off	ELM-Pan	FLT-Rez	InsL_prm10
120	Atlantis	Pd	Hall 2	Ensemble	Phaser	Flanger 3	CLFO-D1, CLFO-D2	off	off	off	off	off	FLT-Rez	FLT-Frq	InsS_prm10
121	Slipmat	Ld	Hall 1	Ensemble	3band EQ	Delay LR	InsL_prm10	off	off	off	off	off	FLT-Rez	PCH-Crs	ELM-Lvl
122	DigiSweep	Pd	Hall 2	Chorus 5	Compressor	Tempo Cross Delay	FLT-Frq, FEG-Dpt, RevSend	off	off	off	off	off	InsL_prm10	ChoSend	RevSend
123	4000 Volts	Fx	Hall 1	Chorus 1	Chorus 3	Flanger 1	FLT-Frq	off	InsL_prm3	off	off	off	ELFO-AM	PEG-Dpt	FEG-Atk
124	Nusic	Se	Hall 1	Delay LR	Auto Pan	Thru	CLFOSpd	off	off	off	off	off	PCH-Crs	RevSend	ChoSend
125	Sahara	Pd	Hall 1	Chorus 1	Flanger 1	Hall 1	ELM-Lvl	off	off	off	off	off	PCH-Crs	AEG-Atk	ChoSend
126	2 Friends	Sq	Hall 2	Tempo Delay2	Phaser	Hall 2	ELM-Lvl, ChoSend, AEG-D1	off	off	off	off	off	ELM-Pan	InsS_prm10	FLT-Frq
127	Modsound	Se	Canyon	Tempo Delay2	Thru	Touch WAH Distortion	ELFOSpd	InsL_prm10	off	off	off	off	RevSend	InsL_prm1	PEG-D2, PEG-Atk
128	Machinhead	Sq	Stage 1	Flanger 1	Phaser	Auto WAH Overdrive	InsL_prm1	off	off	off	off	off	InsL_prm14	InsL_prm10	ChoSend

# Drum Voice List

Preset (MSB=63, LSB=32)

## 1 Rock Kit

Note	ElmAsgn	Wave No.	Wave Name
C 0	on	378	Dr BdVar5
C#0	on	389	Dr SdPcBH
D 0	on	391	Dr SdWdH
D#0	on	392	Dr SdVar1
E 0	on	376	Dr BdVar3
F 0	on	405	Dr SdHvy
F#0	on	382	Dr SdBldH
G 0	on	400	Dr SdDry
G#0	on	408	Dr Stick
A 0	on	377	Dr BdVar4
A#0	on	389	Dr SdPcBH
B 0	on	374	Dr BdVar1
C 1	on	371	Dr BdPop
C#1	on	407	Dr C.Rim2
D 1	on	387	Dr SdHvy
D#1	on	358	Pc Clap
E 1	on	380	Dr SdGM
F 1	on	418	Dr Tom2L
F#1	on	423	Dr HHCl5
G 1	on	418	Dr Tom2L
G#1	on	425	Dr HHPdl2
A 1	on	418	Dr Tom2L
A#1	on	426	Dr HHOOpn
B 1	on	417	Dr Tom2H
C 2	on	417	Dr Tom2H
C#2	on	433	Dr Crash
D 2	on	417	Dr Tom2H
D#2	on	429	Dr Ride
E 2	on	435	Dr China
F 2	on	431	Dr Cup
F#2	on	354	Pc Tmborn
G 2	on	434	Dr Crash2
G#2	on	340	Pc Cowbel
A 2	on	434	Dr Crash2
A#2	on	356	Pc VbSlp
B 2	on	432	Dr Cup2
C 3	on	336	Pc BongoH
C#3	on	335	Pc BongoL
D 3	on	339	Pc CngSlp
D#3	on	338	Pc CongaH
E 3	on	337	Pc CongaL
F 3	on	345	Pc TmbIsH
F#3	on	344	Pc TmbIsL
G 3	on	341	Pc AgogoL
G#3	on	341	Pc AgogoL
A 3	on	349	Pc Cabasa
A#3	on	352	Pc Maracs
B 3	on	435	Dr China
C 4	on	434	Dr Crash2
C#4	on	355	Pc TrngL
D 4	on	101	Cp FngCym
D#4	on	350	Pc Claves
E 4	on	348	Pc Wdblck
F 4	on	348	Pc Wdblck
F#4	on	113	Cp Timpni
G 4	on	113	Cp Timpni
G#4	on	355	Pc TrngL
A 4	on	355	Pc TrngL
A#4	on	353	Pc Shaker
B 4	on	357	Pc JnglBl
C 5	on	370	Dr BdStd
C#5	on	394	Dr SdRim1
D 5	on	382	Dr SdBldH
D#5	on	387	Dr SdHvy
E 5	on	392	Dr SdVar1
F 5	on	393	Dr SdVar2
F#5	on	396	Dr SdAmb1
G 5	on	383	Dr SdFsnH
G#5	on	398	Dr SdAmb3
A 5	on	388	Dr SdPclH
A#5	on	372	Dr BdHby
B 5	on	372	Dr BdHby
C 6	on	373	Dr BdLoJz

## 2 House Kit

Note	ElmAsgn	Wave No.	Wave Name
C 0	off		
C#0	off		
D 0	off		
D#0	off		
E 0	on	433	Dr Crash
F 0	on	373	Dr BdLoJz
F#0	on	367	Pc CONG
G 0	on	382	Dr SdBldH
G#0	on	367	Pc CONG
A 0	on	476	Dr EuroBD
A#0	on	437	Dr T8BdBm
B 0	on	457	Dr T9BD2
C 1	on	458	Dr T9BD3
C#1	on	466	Dr T9Rim
D 1	on	460	Dr T9SD2
D#1	on	444	Dr T8Rmst
E 1	on	463	Dr T9SD5
F 1	on	467	Dr T9TomL
F#1	on	470	Dr T9HHC1
G 1	on	468	Dr T9TomM
G#1	on	471	Dr T9HHC2
A 1	on	469	Dr T9TomH
A#1	on	472	Dr T9HHO1
B 1	on	469	Dr T9TomH
C 2	on	473	Dr T9HHO2
C#2	on	474	Dr T9Crsh
D 2	on	475	Dr T9Ride
D#2	on	465	Dr T9Clap
E 2	on	362	Pc AnvlPp
F 2	on	456	Dr T9BD1
F#2	on	389	Dr SdPcBH
G 2	on	369	Pc WdBlk
G#2	on	362	Pc AnvlPp
A 2	on	367	Pc CONG
A#2	on	361	Pc AnvlHt
B 2	on	368	Pc StiClp
C 3	on	366	Pc Ripper
C#3	on	367	Pc CONG
D 3	on	452	Dr T8CngH
D#3	on	452	Dr T8CngH
E 3	on	452	Dr T8CngH
F 3	on	452	Dr T8CngH
F#3	on	449	Dr T8Crsh
G 3	on	447	Dr T8HHCl
G#3	on	448	Dr T8HHOp
A 3	on	355	Pc TrngL
A#3	on	455	Dr T8Mrcls
B 3	on	355	Pc TrngL
C 4	on	353	Pc Shaker
C#4	on	361	Pc AnvlHt
D 4	on	361	Pc AnvlHt
D#4	on	454	Dr T8Clve
E 4	on	365	Pc VoxDrm
F 4	on	477	Dr DstKik
F#4	on	449	Dr T8Crsh
G 4	on	357	Pc JnglBl
G#4	on	354	Pc Tmborn
A 4	on	354	Pc Tmborn
A#4	on	322	Fx BigSyn
B 4	on	322	Fx BigSyn
C 5	on	319	Fx Melow
C#5	on	328	Fx VxAlk
D 5	on	328	Fx VxAlk
D#5	on	328	Fx VxAlk
E 5	on	439	Dr T8SD1
F 5	on	359	Pc Whistl
F#5	on	388	Dr SdPclH
G 5	on	437	Dr T8BdBm
G#5	off		
A 5	off		
A#5	off		
B 5	off		
C 6	off		

## 3 Hip Kit

Note	ElmAsgn	Wave No.	Wave Name
C 0	on	477	Dr DstKik
C#0	on	378	Dr BdVar5
D 0	on	377	Dr BdVar4
D#0	on	437	Dr T8BdBm
E 0	on	456	Dr T9BD1
F 0	on	382	Dr SdBldH
F#0	on	388	Dr SdPclH
G 0	on	390	Dr SdPrmH
G#0	on	439	Dr T8SD1
A 0	on	399	Dr SdBkbt
A#0	on	404	Dr SdBrsL
B 0	on	437	Dr T8BdBm
C 1	on	379	Dr BdAna
C#1	on	407	Dr C.Rim2
D 1	on	394	Dr SdRim1
D#1	on	445	Dr T8Clap
E 1	on	389	Dr SdPcBH
F 1	on	409	Dr TomF
F#1	on	420	Dr HHCl2
G 1	on	409	Dr TomF
G#1	on	447	Dr T8HHCl
A 1	on	410	Dr TomL
A#1	on	426	Dr HHOOpn
B 1	on	411	Dr TomM
C 2	on	412	Dr TomHL
C#2	on	433	Dr Crash
D 2	on	413	Dr TomHH
D#2	on	430	Dr Ride2
E 2	on	435	Dr China
F 2	on	432	Dr Cup2
F#2	on	354	Pc Tmborn
G 2	on	434	Dr Crash2
G#2	on	367	Pc CONG
A 2	on	434	Dr Crash2
A#2	on	356	Pc VbSlp
B 2	on	429	Dr Ride
C 3	on	331	Fx AHoseL
C#3	on	332	Fx AHoseR
D 3	on	339	Pc CngSlp
D#3	on	338	Pc CongaH
E 3	on	337	Pc CongaL
F 3	on	345	Pc TmbIsH
F#3	on	344	Pc TmbIsL
G 3	on	362	Pc AnvlPp
G#3	on	362	Pc AnvlPp
A 3	on	353	Pc Shaker
A#3	on	352	Pc Maracs
B 3	on	363	Pc Scrch1
C 4	on	438	Dr T8Bd
C#4	on	368	Pc StiClp
D 4	on	383	Dr SdFsnH
D#4	on	465	Dr T9Clap
E 4	on	393	Dr SdVar2
F 4	on	357	Pc JnglBl
F#4	on	470	Dr T9HHC1
G 4	on	355	Pc TrngL
G#4	on	471	Dr T9HHC2
A 4	on	355	Pc TrngL
A#4	on	472	Dr T9HHO1
B 4	on	329	Fx HiLo
C 5	on	325	Fx Eery
C#5	on	474	Dr T9Crsh
D 5	on	435	Dr China
D#5	on	318	Fx VoxBel
E 5	on	319	Fx Melow
F 5	on	255	Wv MogBs1
F#5	on	354	Pc Tmborn
G 5	on	364	Pc Scrch2
G#5	on	475	Dr T9Ride
A 5	on	325	Fx Eery
A#5	on	327	Fx HH Hit
B 5	on	323	Fx TrnCho
C 6	on	323	Fx TrnCho

## 4 Trance Kit

Note	ElmAsgn	Wave No.	Wave Name
C 0	on	437	Dr T8BdBm
C#0	on	451	Dr T8CngM
D 0	on	438	Dr T8Bd
D#0	on	452	Dr T8CngH
E 0	on	457	Dr T9BD2
F 0	on	457	Dr T9BD2
F#0	on	367	Pc CONG
G 0	on	459	Dr T9SD1
G#0	on	367	Pc CONG
A 0	on	476	Dr EuroBD
A#0	on	476	Dr EuroBD
B 0	on	457	Dr T9BD2
C 1	on	458	Dr T9BD3
C#1	on	466	Dr T9Rim
D 1	on	459	Dr T9SD1
D#1	on	477	Dr DstKik
E 1	on	462	Dr T9SD1
F 1	on	467	Dr T9TomL
F#1	on	470	Dr T9HHC1
G 1	on	468	Dr T9TomM
G#1	on	471	Dr T9HHC2
A 1	on	469	Dr T9TomH
A#1	on	472	Dr T9HHO1
B 1	on	469	Dr T9TomH
C 2	on	473	Dr T9HHO2
C#2	on	474	Dr T9Crsh
D 2	on	475	Dr T9Ride
D#2	on	465	Dr T9Clap
E 2	on	362	Pc AnvlPp
F 2	on	456	Dr T9BD1
F#2	on	389	Dr SdPcBH
G 2	on	369	Pc WdBlk
G#2	on	362	Pc AnvlPp
A 2	on	366	Pc Ripper
A#2	on	361	Pc AnvlHt
B 2	on	368	Pc StiClp
C 3	on	437	Dr T8BdBm
C#3	on	367	Pc CONG
D 3	on	452	Dr T8CngH
D#3	on	452	Dr T8CngH
E 3	on	452	Dr T8CngH
F 3	on	452	Dr T8CngH
F#3	on	449	Dr T8Crsh
G 3	on	447	Dr T8HHCl
G#3	on	448	Dr T8HHOp
A 3	on	355	Pc TrngL
A#3	on	455	Dr T8Mrcls
B 3	on	355	Pc TrngL
C 4	on	320	Fx WndChm
C#4	on	321	Fx BelAir
D 4	on	322	Fx BigSyn
D#4	on	326	Fx Electr
E 4	on	327	Fx HH Hit
F 4	on	328	Fx VxAlk
F#4	on	328	Fx VxAlk
G 4	on	329	Fx HiLo
G#4	on	329	Fx HiLo
A 4	on	318	Fx VoxBel
A#4	on	318	Fx VoxBel
B 4	on	325	Fx Eery
C 5	on	258	Wv FMBs1
C#5	on	258	Wv FMBs1
D 5	on	258	Wv FMBs1
D#5	on	258	Wv FMBs1
E 5	on	258	Wv FMBs1
F 5	on	258	Wv FMBs1
F#5	on	258	Wv FMBs1
G 5	on	258	Wv FMBs1
G#5	on	258	Wv FMBs1
A 5	on	258	Wv FMBs1
A#5	on	258	Wv FMBs1
B 5	on	258	Wv FMBs1
C 6	on	258	Wv FMBs1

**5 Nasty Kit**

Note	ElmAsgn	Wave No.	Wave Name
C 0	on	438	Dr T8Bd
C#0	on	377	Dr BdVar4
D 0	on	337	Pc CongaL
D#0	on	379	Dr BdAna
E 0	on	458	Dr T9BD3
F 0	on	397	Dr SdAmb2
F#0	on	395	Dr SdRim2
G 0	on	439	Dr T8SD1
G#0	on	441	Dr T8SD3
A 0	on	403	Dr SdBrsH
A#0	on	398	Dr SdAmb3
B 0	on	476	Dr EuroBD
C 1	on	458	Dr T9BD3
C#1	on	329	Fx HiLo
D 1	on	462	Dr T9SD4
D#1	on	445	Dr T8Clap
E 1	on	369	Pc WdBk
F 1	on	314	Wv Noise
F#1	on	423	Dr HHCi5
G 1	on	314	Wv Noise
G#1	on	470	Dr T9HHC1
A 1	on	314	Wv Noise
A#1	on	472	Dr T9HHO1
B 1	on	418	Dr Tom2L
C 2	on	417	Dr Tom2H
C#2	on	474	Dr T9Crsh
D 2	on	417	Dr Tom2H
D#2	on	325	Fx Eery
E 2	on	435	Dr China
F 2	on	432	Dr Cup2
F#2	on	354	Pc Tmborn
G 2	on	433	Dr Crash
G#2	on	255	Wv MogBs1
A 2	on	434	Dr Crash2
A#2	on	356	Pc VbSlp
B 2	on	429	Dr Ride
C 3	on	328	Fx VxAlk
C#3	on	327	FX HH Hit
D 3	on	345	Pc TmblsH
D#3	on	338	Pc CongaH
E 3	on	337	Pc CongaL
F 3	on	321	Fx BelAir
F#3	on	326	Fx Electr
G 3	on	362	Pc AnvLPp
G#3	on	362	Pc AnvLPp
A 3	on	353	Pc Shaker
A#3	on	352	Pc Maracs
B 3	on	360	Pc Bltree
C 4	on	438	Dr T8Bd
C#4	on	318	Fx VoxBel
D 4	on	397	Dr SdAmb2
D#4	on	465	Dr T9Clap
E 4	on	394	Dr SdRim1
F 4	on	330	Fx MltPno
F#4	on	447	Dr T8HHCi
G 4	on	361	Pc AnvLPp
G#4	on	471	Dr T9HHC2
A 4	on	361	Pc AnvLPp
A#4	on	448	Dr T8HHOp
B 4	on	325	Fx Eery
C 5	on	325	Fx Eery
C#5	on	474	Dr T9Crsh
D 5	on	435	Dr China
D#5	on	318	Fx VoxBel
E 5	on	449	Dr T8Crsh
F 5	on	209	En VxNoiz
F#5	on	354	Pc Tmborn
G 5	on	366	Pc Ripper
G#5	on	475	Dr T9Ride
A 5	on	450	Dr T8CngL
A#5	on	451	Dr T8CngM
B 5	on	416	Dr TmJzH
C 6	on	448	Dr T8HHOp

**6 Brush Kit**

Note	ElmAsgn	Wave No.	Wave Name
C 0	on	350	Pc Claves
C#0	on	404	Dr SdBrsL
D 0	on	401	Dr SdSweep
D#0	on	403	Dr SdBrsH
E 0	on	401	Dr SdSweep
F 0	on	405	Dr SdRoll
F#0	on	351	Pc Castnt
G 0	on	404	Dr SdBrsL
G#0	on	408	Dr Stick
A 0	on	376	Dr BdVar3
A#0	on	403	Dr SdBrsH
B 0	on	377	Dr BdVar4
C 1	on	373	Dr BdLoJz
C#1	on	403	Dr SdBrsH
D 1	on	404	Dr SdBrsL
D#1	on	358	Pc Clap
E 1	on	402	Dr SdBrsS
F 1	on	414	Dr TmJzL
F#1	on	422	Dr HHCi4
G 1	on	414	Dr TmJzL
G#1	on	424	Dr HHPdl
A 1	on	414	Dr TmJzL
A#1	on	426	Dr HHOpn
B 1	on	415	Dr TmJzM
C 2	on	416	Dr TmJzH
C#2	on	433	Dr Crash
D 2	on	416	Dr TmJzH
D#2	on	429	Dr Ride
E 2	on	430	Dr Ride2
F 2	on	431	Dr Cup
F#2	on	354	Pc Tmborn
G 2	on	434	Dr Crash2
G#2	on	340	Pc Cowbel
A 2	on	434	Dr Crash2
A#2	on	429	Dr Ride
B 2	on	432	Dr Cup2
C 3	on	336	Pc BongoH
C#3	on	335	Pc BongoL
D 3	on	339	Pc CngSlp
D#3	on	338	Pc CongaH
E 3	on	337	Pc CongaL
F 3	on	345	Pc TmblsH
F#3	on	344	Pc TmblsL
G 3	on	341	Pc AgogoL
G#3	on	341	Pc AgogoL
A 3	on	349	Pc Cabasa
A#3	on	352	Pc Maracs
B 3	on	359	Pc Whistl
C 4	on	359	Pc Whistl
C#4	on	343	Pc GiroCl
D 4	on	342	Pc GuiroL
D#4	on	350	Pc Claves
E 4	on	348	Pc Wdblck
F 4	on	348	Pc Wdblck
F#4	on	346	Pc Cuical
G 4	on	347	Pc CuicaH
G#4	on	355	Pc TrngL
A 4	on	355	Pc TrngL
A#4	on	353	Pc Shaker
B 4	on	357	Pc JnglBl
C 5	on	360	Pc Bltree
C#5	off		
D 5	off		
D#5	off		
E 5	off		
F 5	off		
F#5	off		
G 5	off		
G#5	off		
A 5	off		
A#5	off		
B 5	off		
C 6	off		

**7 Pop Kit**

Note	ElmAsgn	Wave No.	Wave Name
C 0	on	350	Pc Claves
C#0	on	404	Dr SdBrsL
D 0	on	401	Dr SdSweep
D#0	on	403	Dr SdBrsH
E 0	on	401	Dr SdSweep
F 0	on	405	Dr SdRoll
F#0	on	351	Pc Castnt
G 0	on	400	Dr SdDry
G#0	on	408	Dr Stick
A 0	on	376	Dr BdVar3
A#0	on	389	Dr SdPcBH
B 0	on	377	Dr BdVar4
C 1	on	372	Dr BdHby
C#1	on	406	Dr C.Rim1
D 1	on	380	Dr SdGM
D#1	on	358	Pc Clap
E 1	on	380	Dr SdGM
F 1	on	410	Dr TomL
F#1	on	423	Dr HHCi5
G 1	on	410	Dr TomL
G#1	on	425	Dr HHPdl2
A 1	on	411	Dr TomM
A#1	on	427	Dr HHOpn2
B 1	on	411	Dr TomM
C 2	on	412	Dr TomHL
C#2	on	433	Dr Crash
D 2	on	413	Dr TomHH
D#2	on	429	Dr Ride
E 2	on	435	Dr China
F 2	on	431	Dr Cup
F#2	on	354	Pc Tmborn
G 2	on	434	Dr Crash2
G#2	on	340	Pc Cowbel
A 2	on	434	Dr Crash2
A#2	on	356	Pc VbSlp
B 2	on	432	Dr Cup2
C 3	on	336	Pc BongoH
C#3	on	335	Pc BongoL
D 3	on	339	Pc CngSlp
D#3	on	338	Pc CongaH
E 3	on	337	Pc CongaL
F 3	on	345	Pc TmblsH
F#3	on	344	Pc TmblsL
G 3	on	341	Pc AgogoL
G#3	on	341	Pc AgogoL
A 3	on	349	Pc Cabasa
A#3	on	352	Pc Maracs
B 3	on	359	Pc Whistl
C 4	on	359	Pc Whistl
C#4	on	343	Pc GiroCl
D 4	on	342	Pc GuiroL
D#4	on	350	Pc Claves
E 4	on	348	Pc Wdblck
F 4	on	348	Pc Wdblck
F#4	on	346	Pc Cuical
G 4	on	347	Pc CuicaH
G#4	on	355	Pc TrngL
A 4	on	355	Pc TrngL
A#4	on	353	Pc Shaker
B 4	on	357	Pc JnglBl
C 5	on	360	Pc Bltree
C#5	on	399	Dr SdBkbt
D 5	on	381	Dr SdBldS
D#5	on	392	Dr SdVar1
E 5	on	386	Dr SdSonD
F 5	on	394	Dr SdRim1
F#5	on	391	Dr SdWdH
G 5	on	382	Dr SdBldH
G#5	on	389	Dr SdPcBH
A 5	on	384	Dr SdLdwH
A#5	on	371	Dr BdPop
B 5	on	372	Dr BdHby
C 6	on	378	Dr BdVar5

**8 808 Kit**

Note	ElmAsgn	Wave No.	Wave Name
C 0	on	350	Pc Claves
C#0	on	404	Dr SdBrsL
D 0	on	401	Dr SdSweep
D#0	on	403	Dr SdBrsH
E 0	on	401	Dr SdSweep
F 0	on	405	Dr SdRoll
F#0	on	351	Pc Castnt
G 0	on	442	Dr T8SD4
G#0	on	444	Dr T8Rmst
A 0	on	379	Dr BdAna
A#0	on	441	Dr T8SD3
B 0	on	437	Dr T8BdBm
C 1	on	438	Dr T8Bd
C#1	on	443	Dr T8Side
D 1	on	439	Dr T8SD1
D#1	on	445	Dr T8Clap
E 1	on	440	Dr T8SD2
F 1	on	446	Dr T8Tom
F#1	on	447	Dr T8HHCi
G 1	on	446	Dr T8Tom
G#1	on	448	Dr T8HHOp
A 1	on	446	Dr T8Tom
A#1	on	448	Dr T8HHOp
B 1	on	446	Dr T8Tom
C 2	on	446	Dr T8Tom
C#2	on	449	Dr T8Crsh
D 2	on	446	Dr T8Tom
D#2	on	449	Dr T8Crsh
E 2	on	435	Dr China
F 2	on	431	Dr Cup
F#2	on	354	Pc Tmborn
G 2	on	434	Dr Crash2
G#2	on	453	Dr T8Cwbl
A 2	on	434	Dr Crash2
A#2	on	356	Pc VbSlp
B 2	on	430	Dr Ride2
C 3	on	336	Pc BongoH
C#3	on	335	Pc BongoL
D 3	on	452	Dr T8CngH
D#3	on	451	Dr T8CngM
E 3	on	450	Dr T8CngL
F 3	on	345	Pc TmblsH
F#3	on	344	Pc TmblsL
G 3	on	341	Pc AgogoL
G#3	on	341	Pc AgogoL
A 3	on	349	Pc Cabasa
A#3	on	455	Dr T8Mracs
B 3	on	359	Pc Whistl
C 4	on	359	Pc Whistl
C#4	on	343	Pc GiroCl
D 4	on	342	Pc GuiroL
D#4	on	454	Dr T8Clve
E 4	on	348	Pc Wdblck
F 4	on	348	Pc Wdblck
F#4	on	346	Pc Cuical
G 4	on	347	Pc CuicaH
G#4	on	355	Pc TrngL
A 4	on	355	Pc TrngL
A#4	on	353	Pc Shaker
B 4	on	357	Pc JnglBl
C 5	on	360	Pc Bltree
C#5	off		
D 5	off		
D#5	off		
E 5	off		
F 5	off		
F#5	off		
G 5	off		
G#5	off		
A 5	off		
A#5	off		
B 5	off		
C 6	off		

## Internal (MSB=63, LSB=32)

### 1 HipHop Kit

Note	ElmAsgn	Wave No.	Wave Name
C 0	on	437	Dr T8BdBm
C#0	on	440	Dr T8SD2
D 0	on	439	Dr T8SD1
D#0	on	441	Dr T8SD3
E 0	on	442	Dr T8SD4
F 0	on	462	Dr T9SD4
F#0	on	327	FX HH Hit
G 0	on	460	Dr T9SD2
G#0	on	444	Dr T8Rmst
A 0	on	438	Dr T8Bd
A#0	on	463	Dr T9SD5
B 0	on	458	Dr T9BD3
C 1	on	456	Dr T9BD1
C#1	on	406	Dr C.Rim1
D 1	on	459	Dr T9SD1
D#1	on	465	Dr T9Clap
E 1	on	461	Dr T9SD3
F 1	on	467	Dr T9TomL
F#1	on	471	Dr T9HHC2
G 1	on	467	Dr T9TomL
G#1	on	473	Dr T9HHO2
A 1	on	468	Dr T9TomM
A#1	on	472	Dr T9HHO1
B 1	on	468	Dr T9TomM
C 2	on	469	Dr T9TomH
C#2	on	474	Dr T9Crsh
D 2	on	469	Dr T9TomH
D#2	on	475	Dr T9Ride
E 2	on	449	Dr T8Crsh
F 2	on	475	Dr T9Ride
F#2	on	354	Pc Tmborn
G 2	on	449	Dr T8Crsh
G#2	on	453	Dr T8Cwbl
A 2	on	474	Dr T9Crsh
A#2	on	477	Dr DstKik
B 2	on	449	Dr T8Crsh
C 3	on	452	Dr T8CngH
C#3	on	450	Dr T8CngL
D 3	on	451	Dr T8CngM
D#3	on	255	Wv MogBs1
E 3	on	266	Wv Late-S
F 3	on	399	Dr SdBkbt
F#3	on	399	Dr SdBkbt
G 3	on	453	Dr T8Cwbl
G#3	on	341	Pc AgogoL
A 3	on	349	Pc Cabasa
A#3	on	455	Dr T8Mrscs
B 3	on	329	Fx HiLo
C 4	on	329	Fx HiLo
C#4	on	361	Pc AnvHt
D 4	on	366	Pc Ripper
D#4	on	454	Dr T8Clve
E 4	on	454	Dr T8Clve
F 4	on	351	Pc Castnt
F#4	on	363	Pc Scrch1
G 4	on	364	Pc Scrch2
G#4	on	355	Pc TrangL
A 4	on	355	Pc TrangL
A#4	on	353	Pc Shaker
B 4	on	357	Pc JnglBl
C 5	on	360	Pc Bltree
C#5	on	394	Dr SdRim1
D 5	on	388	Dr SdPclH
D#5	on	358	Pc Clap
E 5	on	390	Dr SdPrmH
F 5	on	379	Dr BdAna
F#5	on	447	Dr T8HHCl
G 5	on	457	Dr T9BD2
G#5	on	423	Dr HHCl5
A 5	on	374	Dr BdVar1
A#5	on	448	Dr T8HHOp
B 5	on	476	Dr EuroBD
C 6	on	372	Dr BdHby

### 2 Urbanguard

Note	ElmAsgn	Wave No.	Wave Name
C 0	on	378	Dr BdVar5
C#0	on	404	Dr SdBrsL
D 0	on	401	Dr SdSwep
D#0	on	403	Dr SdBrsH
E 0	on	401	Dr SdSwep
F 0	on	405	Dr SdRoll
F#0	on	314	Wv Noise
G 0	on	385	Dr SdSonA
G#0	on	408	Dr Stick
A 0	on	378	Dr BdVar5
A#0	on	389	Dr SdPcBH
B 0	on	375	Dr BdVar2
C 1	on	373	Dr BdLoJz
C#1	on	407	Dr C.Rim2
D 1	on	380	Dr SdGM
D#1	on	358	Pc Clap
E 1	on	391	Dr SdWdH
F 1	on	409	Dr TomF
F#1	on	419	Dr HHCl1
G 1	on	410	Dr TomL
G#1	on	424	Dr HHPdl
A 1	on	410	Dr TomL
A#1	on	426	Dr HHOpn
B 1	on	411	Dr TomM
C 2	on	412	Dr TomHL
C#2	on	433	Dr Crash
D 2	on	413	Dr TomHH
D#2	on	429	Dr Ride
E 2	on	435	Dr China
F 2	on	431	Dr Cup
F#2	on	354	Pc Tmborn
G 2	on	434	Dr Crash2
G#2	on	453	Dr T8Cwbl
A 2	on	434	Dr Crash2
A#2	on	356	Pc VbSlp
B 2	on	449	Dr T8Crsh
C 3	on	336	Pc BongoH
C#3	on	335	Pc BongoL
D 3	on	339	Pc CngSlp
D#3	on	338	Pc CongaH
E 3	on	337	Pc CongaL
F 3	on	345	Pc TmblsH
F#3	on	344	Pc TmblsL
G 3	on	341	Pc AgogoL
G#3	on	341	Pc AgogoL
A 3	on	349	Pc Cabasa
A#3	on	352	Pc Maracs
B 3	on	359	Pc Whistl
C 4	on	359	Pc Whistl
C#4	on	343	Pc GiroCl
D 4	on	342	Pc GuiroL
D#4	on	350	Pc Claves
E 4	on	348	Pc Wdblck
F 4	on	348	Pc Wdblck
F#4	on	346	Pc CuicaL
G 4	on	347	Pc CuicaH
G#4	on	355	Pc TrangL
A 4	on	355	Pc TrangL
A#4	on	353	Pc Shaker
B 4	on	357	Pc JnglBl
C 5	on	360	Pc Bltree
C#5	on	477	Dr DstKik
D 5	on	477	Dr DstKik
D#5	on	477	Dr DstKik
E 5	on	477	Dr DstKik
F 5	on	477	Dr DstKik
F#5	on	477	Dr DstKik
G 5	on	477	Dr DstKik
G#5	on	477	Dr DstKik
A 5	on	477	Dr DstKik
A#5	on	477	Dr DstKik
B 5	on	477	Dr DstKik
C 6	on	477	Dr DstKik

# Wave List

No.	Cat./WaveName	No.	Cat./WaveName	No.	Cat./WaveName	No.	Cat./WaveName	No.	Cat./WaveName	No.	Cat./WaveName
1	Pf Grand	86	Or D1 1/3	171	Gt Single	256	Wv MogBs2	341	Pc AgogoL	426	Dr HHOpn
2	Pf Grand+	87	Or D1	172	Gt SnglHi	257	Wv MogBs3	342	Pc GuiroL	427	Dr HHOpn2
3	Pf Grand-	88	Or LesGrt	173	Gt StrtF	258	Wv FMBs1	343	Pc GiroCl	428	Dr HHTip
4	Pf Brit	89	Or LesGr2	174	Gt ES335	259	Wv FMBs2	344	Pc TmbIsL	429	Dr Ride
5	Pf Brit+	90	Or Rotar	175	Gt DistCl	260	Wv FMBs3	345	Pc TmbIsH	430	Dr Ride2
6	Pf Brit-	91	Or Clack	176	Gt DistMt	261	Wv FMBs4	346	Pc CuicaL	431	Dr Cup
7	Pf CP80	92	Or LesWho	177	Gt FeedBk	262	Wv FMBs5	347	Pc CuicaH	432	Dr Cup2
8	Pf CP80+	93	Or StfTmp	178	Gt StilHrm	263	Wv FMBs6	348	Pc WdbIck	433	Dr Crash
9	Pf CP80-	94	Or Perc	179	Gt StrHrm	264	Wv FMFnk	349	Pc Cabasa	434	Dr Crash2
10	Pf Rho1P	95	Or Perc+	180	Gt Dist2	265	Wv FMGtr	350	Pc Claves	435	Dr China
11	Pf Rho1P+	96	Or Perc-	181	Ba Acstic	266	Wv Late-S	351	Pc Castnt	436	Dr China2
12	Pf Rho1P-	97	Or Harmnc	182	Ba Acstc+	267	Wv Late-L	352	Pc Maracs	437	Dr T8BdBm
13	Pf Rho1L	98	Or Acrdn	183	Ba Acstc-	268	Wv P5Saw	353	Pc Shaker	438	Dr T8Bd
14	Pf Rho1L+	99	Or Acrdn+	184	Ba Fing	269	Wv Saw2	354	Pc Tmborn	439	Dr T8SD1
15	Pf Rho1L-	100	Or Acrdn-	185	Ba Fing+	270	Wv 1o1Saw	355	Pc TrangL	440	Dr T8SD2
16	Pf Rho2S	101	Cp FngCym	186	Ba Fing-	271	Wv 1o1Sub	356	Pc VbSlp	441	Dr T8SD3
17	Pf Rho2S+	102	Cp Hibasi	187	Ba Harmnc	272	Wv SawSqu	357	Pc JnglBl	442	Dr T8SD4
18	Pf Rho2S-	103	Cp StoneH	188	Ba Precsn	273	Wv SquSaw	358	Pc Clap	443	Dr T8Side
19	Pf Rho2M	104	Cp StoneS	189	Ba Prcsn+	274	Wv MgRamp	359	Pc Whistl	444	Dr T8Rmst
20	Pf Rho2M+	105	Cp Gamln1	190	Ba Pecs-	275	Wv P10-1	360	Pc Bltree	445	Dr T8Clap
21	Pf Rho2M-	106	Cp Gamln2	191	Ba PrsRw	276	Wv P10-2	361	Pc AnvlHt	446	Dr T8Tom
22	Pf Rho2H	107	Cp Glock	192	Ba PrsRw+	277	Wv P10-3	362	Pc AnvlPp	447	Dr T8HHCl
23	Pf Rho2H+	108	Cp Marimb	193	Ba PrsRw-	278	Wv P25-1	363	Pc Scrch1	448	Dr T8HHOp
24	Pf Rho2H-	109	Cp Vibra	194	Ba Pick	279	Wv P25-2	364	Pc Scrch2	449	Dr T8Crsh
25	Pf Rho3	110	Cp Xylo	195	Ba Slap	280	Wv P50-1	365	Pc VoxDrm	450	Dr T8CngL
26	Pf Rho3+	111	Cp HndBel	196	Ba Slap+	281	Wv P50-2	366	Pc Ripper	451	Dr T8CngM
27	Pf Rho3-	112	Cp CrotIs	197	Ba Slap-	282	Wv Tri	367	Pc CONG	452	Dr T8CngH
28	Pf Rho4	113	Cp Timpni	198	Ba Slap2	283	Wv Digi01	368	Pc StlClp	453	Dr T8Cwbl
29	Pf Rho4+	114	Br SectnL	199	Ba Slap2+	284	Wv Digi02	369	Pc WdBk	454	Dr T8Clve
30	Pf Rho4-	115	Br SectnR	200	Ba Slap2-	285	Wv Digi03	370	Dr BdStk	455	Dr T8Mrcs
31	Pf Wurl1	116	Br SctnSt	201	Ba Frlt1	286	Wv Digi04	371	Dr BdPop	456	Dr T9BD1
32	Pf Wurl1+	117	Br SctnL-	202	Ba Frlt1+	287	Wv Digi05	372	Dr BdHby	457	Dr T9BD2
33	Pf Wurl1-	118	Br SctnR-	203	Ba Frlt1-	288	Wv Digi06	373	Dr BdLoJz	458	Dr T9BD3
34	Pf DX1	119	Br SctSt	204	Ba Frlt2	289	Wv Digi07	374	Dr BdVar1	459	Dr T9SD1
35	Pf DX2	120	Br Sctn2L	205	Ba Frlt2+	290	Wv Digi08	375	Dr BdVar2	460	Dr T9SD2
36	Pf DX3	121	Br Sctn2R	206	Ba Frlt2-	291	Wv Digi09	376	Dr BdVar3	461	Dr T9SD3
37	Pf Clav1	122	Br Sct2St	207	Ba SyBass	292	Wv Digi10	377	Dr BdVar4	462	Dr T9SD4
38	Pf Clav1+	123	Br Sct2L+	208	En SynVox	293	Wv Digi11	378	Dr BdVar5	463	Dr T9SD5
39	Pf Clav1-	124	Br SctnR+	209	En VxNoiz	294	Wv Digi12	379	Dr BdAna	464	Dr T9SD6
40	Pf Clav2	125	Br Sct2S+	210	En Aah	295	Wv Bel1Wv	380	Dr SdGM	465	Dr T9Clap
41	Pf Clav2+	126	Br Sct2L-	211	En Aah+	296	Wv Bel2Wv	381	Dr SdBldS	466	Dr T9Rim
42	Pf Clav2-	127	Br Sct2R-	212	En Aah-	297	Wv DgVox1	382	Dr SdBldH	467	Dr T9TomL
43	Pf Clav3	128	Br Sct2S-	213	En Oooo	298	Wv DgVox2	383	Dr SdFsnH	468	Dr T9TomM
44	Pf Clav3+	129	Br Trmbn	214	En Oooo+	299	Wv DgVox3	384	Dr SdLdwH	469	Dr T9TomH
45	Pf Clav3-	130	Br Trmbn-	215	En Oooo-	300	Wv DgVox4	385	Dr SdSonA	470	Dr T9HHC1
46	Pf Hrpscd	131	Br StfTrb	216	En ltopia	301	Wv DgVox5	386	Dr SdSonD	471	Dr T9HHC2
47	Or JmPrc	132	Br StfFlg	217	Rd Alto	302	Wv VoxG2	387	Dr SdHvy	472	Dr T9HHO1
48	Or JmPrc-	133	Br StfFl-	218	Rd Alto+	303	Wv VoxE3	388	Dr SdPclH	473	Dr T9HHO2
49	Or Jazz	134	Br Hermn	219	Rd Alto-	304	Wv Ep1	389	Dr SdPcBH	474	Dr T9Crsh
50	Or Jazz+	135	Br Strgt	220	Rd Tenor	305	Wv Ep2	390	Dr SdPmH	475	Dr T9Ride
51	Or Jazz-	136	Br TrpMed	221	Rd Tenor+	306	Wv Ep3	391	Dr SdWdH	476	Dr EuroBD
52	Or Rock	137	Br TrpSft	222	Rd Tenor-	307	Wv Ep4	392	Dr SdVar1	477	Dr DstKik
53	Or Rock+	138	Br Trmpt	223	Rd Bari	308	Wv Ep5	393	Dr SdVar2	478	Dr Bd Kit
54	Or Rock-	139	Br Trmpt+	224	Rd BigSx1	309	Wv EP6	394	Dr SdRim1	479	Dr Sn Kit
55	Or Argent	140	Br Trmpt-	225	Rd BigSx2	310	Wv Org1Wv	395	Dr SdRim2		
56	Or BowVb	141	Br PlcTp	226	Rd SxBrth	311	Wv Org2Wv	396	Dr SdAmb1		
57	Or BowNv	142	Br F.Horn	227	Rd Soprn	312	Wv Org3Wv	397	Dr SdAmb2		
58	Or Gospel	143	Br Combi1	228	Rd Soprn+	313	Wv Sin	398	Dr SdAmb3		
59	Or Green	144	Br Combi2	229	Rd Soprn-	314	Wv Noise	399	Dr SdBkbt		
60	Or Santana	145	Br Combi3	230	Rd Clari	315	Wv PnoNP	400	Dr SdDry		
61	Or Farfs	146	Br Combi4	231	Rd Clari+	316	Wv EPNP	401	Dr SdSwep		
62	Or Farl-	147	St Vln	232	Rd Clari-	317	Wv VibeNP	402	Dr SdBrsS		
63	Or VoxOrg	148	St Vln2	233	Rd Oboe	318	Fx VoxBel	403	Dr SdBrsH		
64	Or VxOrg-	149	St Cello	234	Rd Oboe+	319	Fx Melow	404	Dr SdBrsL		
65	Or Swish	150	St EnsMx	235	Rd Oboe-	320	Fx WndChm	405	Dr SdRoll		
66	Or Swish-	151	St EnsMx-	236	Rd Basoon	321	Fx BelAir	406	Dr C.Rim1		
67	Or Dw1+3	152	St SmlEns	237	Rd Basoon+	322	Fx BigSyn	407	Dr C.Rim2		
68	Or Dw1+3+	153	St SmlEn+	238	Rd Basoon-	323	Fx TrnCho	408	Dr Stick		
69	Or Dw1+3-	154	St SmlEn-	239	Pi Flute	324	Fx HanSol	409	Dr TomF		
70	Or Dw2+4	155	St Pizz	240	Pi Flute+	325	Fx Eery	410	Dr TomL		
71	Or Dw2+4+	156	St Pizz2	241	Pi Flute-	326	Fx Electr	411	Dr TomM		
72	Or Dw2+4-	157	St Harp	242	Pi PnFlt	327	FX HH Hit	412	Dr TomHL		
73	Or DrwEv	158	Gt Nylon	243	Pi PnFit-	328	Fx VxAlk	413	Dr TomHH		
74	Or DrwEv+	159	Gt NylnHi	244	Wv ModSaw	329	Fx HiLo	414	Dr TmJzL		
75	Or DrwEv-	160	Gt NylHrm	245	Wv ObStr	330	Fx MltPno	415	Dr TmJzM		
76	Or DrwOd	161	Gt Steel	246	Wv JpStr	331	Fx AHoseL	416	Dr TmJzH		
77	Or DrwOd+	162	Gt StelHi	247	Wv SyzStr	332	Fx AHoseR	417	Dr Tom2H		
78	Or DrwOd-	163	Gt StelLo	248	Wv Padd	333	Et StilDrm	418	Dr Tom2L		
79	Or D16	164	Gt JzGtr	249	Wv ObBrs	334	Et Sitar	419	Dr HHC1		
80	Or D5 1/3	165	Gt Strt	250	Wv SynclD	335	Pc BongoL	420	Dr HHC2		
81	Or D8	166	Gt StrtN	251	Wv CS80B	336	Pc BongoH	421	Dr HHC3		
82	Or D4	167	Gt StrtSl	252	Wv 3o3Saw	337	Pc CongaL	422	Dr HHC4		
83	Or D2 2/3	168	Gt StrtSp	253	Wv 3o3Sw2	338	Pc CongaH	423	Dr HHC5		
84	Or D2	169	Gt StrtMt	254	Wv 3o3Squ	339	Pc CngSlp	424	Dr HHPdl		
85	Or D1 3/5	170	Gt Front	255	Wv MogBs1	340	Pc Cowbel	425	Dr HHPdl2		

# Performance List

## Internal (MSB=63, LSB=64)

No.	Performance Name	Category	Note
1	Rap Round	Co	
2	Scatter	Co	
3	Megahook	Ld	
4	Millennium	Pd	
5	Aquarium	Fx	
6	Pizzi 2000	Sc	
7	Del Mar	Sq	
8	Neonist	Gt	
9	Front&Back	Co	
10	Nu House	Dr	
11	AceFlair	Pf	
12	Silver	Sq	
13	SnowFlakes	Fx	
14	Space Pitz	Sq	
15	Nasty	Ba	
16	Superstrgs	St	
17	Transfer	Co	
18	Fighter	Co	
19	E-Motion	Pd	
20	MagmaSweep	Fx	
21	PozitiveSP	Ld	
22	WaveTable	Sc	
23	Mythology	Fx	
24	Pacific404	Co	
25	Keltic	Co	
26	AcidJz Kit	Co	
27	NewHorizon	Co	
28	Enterprise	Fx	
29	Mr Squidge	Fx	
30	Clean&Dist	Sq	
31	ChunkyStak	Ba	
32	Fat Analog	Br	See*1
33	Automatic	Co	
34	NightRythm	Co	
35	DJ Finger	Ld	
36	Galaxy	Fx	
37	Perpetual	Sq	
38	Stab Boy	Sc	
39	Night Byte	Sq	
40	Ambitrance	Co	
41	Invisible	Co	
42	HipHop Kit	Co	
43	Minor	Pf	
44	Rhythlog	Sq	
45	Mirage	Pd	
46	ModernGirl	Co	
47	Toro 2000	Ba	
48	Euro Split	Co	
49	SilentMoon	Co	
50	Night Beat	Co	
51	TranxTron	Ld	
52	Pearl	Fx	
53	Dream Gruv	Sq	
54	Soft Cream	Sc	
55	Analous	Sq	
56	Bell&Str	Co	
57	Egypt	Co	
58	House Kit	Co	
59	Chartz	Pf	
60	Melomatic	Sq	
61	Waterflow	Fx	
62	Strg&Arpg	Sq	
63	Killa	Ba	
64	Trip Split	Co	

No.	Performance Name	Category	Note
65	Infinity	Co	
66	Street	Co	
67	Oktavian	Sc	
68	Obi Pad	Co	
69	MoonChild	Fx	
70	Block	Sc	
71	Torture	Fx	
72	Alpine	Pd	
73	Soul Set	Co	
74	Mission	Co	
75	ChoirPiano	Co	
76	Electron	Sq	
77	Whirl	Sc	
78	Summer	Co	
79	Bass Menu	Ba	
80	AppleSplit	Co	See*1
81	Beatnik	Co	
82	Continent	Co	
83	Brother	Sc	
84	Harmony	Co	
85	House Menu	Co	
86	Pizz it!	Sc	
87	R&B Menu	Co	
88	Nylonspher	Co	
89	R&B Set	Co	
90	Trance Kit	Co	
91	Quintus	Sc	
92	Stab Menu	Co	
93	Fat Stack	Sc	
94	Seq Layer	Fx	
95	Final Worm	Fx	
96	Small Orch	En	
97	Pops	--	
98	Ballad 1	--	
99	Ballad 2	--	
100	Unplugged	--	
101	80's Disco	--	
102	Funk Rock	--	
103	Hard Rock	--	
104	HeavyMetal	--	
105	ProgreRock	--	
106	Blues Rock	--	
107	West Coast	--	
108	BritishRck	--	
109	Big Band	--	
110	Combo Jazz	--	
111	JazzBallad	--	See*2
112	Fusion	--	
113	Club Jazz	--	
114	House	--	
115	Techno	--	
116	Trance	--	
117	Big Beat	--	
118	Drum'nBass	--	
119	HipHop	--	
120	Reggae	--	
121	R&B	--	
122	India	--	
123	Salsa	--	
124	Gamelan	--	
125	Ambient	--	
126	Tango	--	
127	SoundTrack	--	
128	Master KB	--	See*3

\*1 Performances suitable for playing on the keyboard.

\*2 Performances suitable for multi-part playback using sequencer function.

\*3 Performances suitable for master keyboard settings.

# Control List

## Control Set Destination Parameter

No.	LCD	Parameter
00	off	:off
01	Volume	Voice Volume
02	RevSend	Reverb Send
03	ChoSend	Chorus Send
04	INS1-P1:EF1	Insertion Effect 1 Parameter 1
:	:	:
13	INS1P10:EF1	Insertion Effect 1 Parameter 10
14	INS2-P1:EF2	Insertion Effect 2 Parameter 1
:	:	:
29	INS2P16:EF2	Insertion Effect 2 Parameter 16
30	CLFOSpd	Common LFO Speed
31	CLFO-D1	Common LFO Depth1
32	CLFO-D2	Common LFO Depth2
33	PorTime	Common Portamento Time
34	ELM-Lvl	Element Level
35	ELM-Pan	Element Pan
36	ELM-Dly	Element Key On Delay
37	ELFOSpd	Element LFO Speed
38	ELFO-PM	Element LFO Pitch Modulation Depth
39	ELFO-AM	Element LFO Amplitude Modulation Depth
40	ELFO-FM	Element LFO Filter Modulation Depth
41	PCH-Crs	Element Pitch Coarse
42	PCH-Fin	Element Pitch Fine
43	PEG-Dpt	Element Pitch EG Depth
44	PEG-Hld	Element Pitch EG Hold Time
45	PEG-Atk	Element Pitch EG Attack Time
46	PEG-D1	Element Pitch EG Decay1 Time
47	PEG-D2	Element Pitch EG Decay2 Time
48	PEG-Rel	Element Pitch EG Release Time
49	AEG-Atk	Element Amplitude EG Attack Time
50	AEG-D1	Element Amplitude EG Decay1 Time
51	AEG-D2	Element Amplitude EG Decay2 Time
52	AEG-Rel	Element Amplitude EG Release Time
53	FEG-Dpt	Element Filter EG Depth
54	FEG-Hld	Element Filter EG Hold Time
55	FEG-Atk	Element Filter EG Attack Time
56	FEG-D1	Element Filter EG Decay1 Time
57	FEG-D2	Element Filter EG Decay2 Time
58	FEG-Rel	Element Filter EG Release Time
59	FLT-Frq	Element Filter Cutoff Frequency
60	FLT-Rez	Element Filter Resonance
61	HPF-Frq	Element Filter HPF Cutoff Frequency

The destination parameters 00 - 29 can be used for all Controller Sets. However, in the case of the Plug-in voices, only the parameters 00 - 13 are available.

The parameters 30 - 61 are available for the Normal voices except for the Plug-in voices.

The parameters 04 - 29 are available only when Insertion effect is applied to the voice, and the effective parameter type differs depending on the currently selected effect type. If the destination parameter is effective, it's actual parameter name will be displayed on the LCD. For example, "INS1P10" of the number 13 will be replaced with the actual parameter name. If not, the LCD displays the one like "INS1P10" shown in the above list in the Controller Set function, and "-----" in the Play mode.

## System Controller Destination Parameter

No.	LCD	Parameter
00	off	off
01	EQLow-G	MEQ Low Gain
02	EQLow-F	MEQ Low Frequency
03	EQLow-Q	MEQ Low Q
04	EQLoM-G	MEQ Low Mid Gain
05	EQLoM-F	MEQ Low Mid Frequency
06	EQLoM-Q	MEQ Low Mid Q
07	EQMid-G	MEQ Mid Gain
08	EQMid-F	MEQ Mid Frequency
09	EQMid-Q	MEQ Mid Q
10	EQHiM-G	MEQ High Mid Gain
11	EQHiM-F	MEQ High Mid Frequency
12	EQHiM-Q	MEQ High Mid Q
13	EQHi-G	MEQ High Gain
14	EQHi-F	MEQ High Frequency
15	EQHi-Q	MEQ High Q
16	REV-P1	ReverbParameter 1
:	:	:
25	REV-P10	Reverb Parameter 10
26	REV-Rtn	Reverb Return
27	REV-Pan	Reverb Pan
28	CHO-P1	Chorus Parameter 1
:	:	:
37	CHO-P10	Chorus Parameter 10
38	CHO-Rtn	Chorus Return
39	CHO-Pan	Chorus Pan
40	Cho>Rev	Send Chorus To Reverb
41	ARP-Typ	Arpeggio Type
42	ARP-Unt	Arpeggio Unit Multiply
43	ARP-Vel	Arpeggio Velocity Rate
44	ARP-Gat	Arpeggio Gate Time Rate
45	Tempo	Arpeggio/Sequencer Tempo
46	EG-Atck	QED EG Attack Time
47	EG-Decy	QED EG Decay Time
48	EG-SusL	QED EG Sustain Level
49	EG-Rele	QED EG Release Time
50	Cutoff	QED Cutoff Frequency
51	Reso	QED Resonance

As to the parameters 16 - 25 and 28 - 37, the effective parameter type differs depending on the currently selected effect type. If the destination parameter is effective, it's actual parameter name will be displayed on the LCD. For example, "REV-P10" of the number 25 will be replaced with the actual parameter name. If not, the LCD displays the one like "REV-P10" shown in the above list in the Controller Set function, and "-----" in the Play mode.

# Arpeggio Type List

## Control Change Number List

### [CONTROLLER]

Name	No.	Remarks
PB:PITCH BEND		Pitch Bend
MW:MODULATION WHELL	1	Modulation
AT:AFTER TOUCH		After Touch
BC:BREATH CONTROLLER	(2)	Set in the Utility or Performance Mode
RB:RIBBON CONTROLLER	(22)	Set in the Utility or Performance Mode
FC:FOOT CONTROLLER	(4)	Set in the Utility or Performance Mode
FS:FOOT SWITCH	(88)	Set in the Utility Mode
FV:FOOT VOLUME	(11)	Set in the Utility Mode (7 or 11)
SUS:SUSTAIN	(64)	Sustain(Hold 1)

### [SOUND CONTROL KNOB]

Name	No.	Remarks
[CUTOFF]	74	Cutoff Freq
[RESONANCE]	71	Resonance
[REVERB]	91	Reverb Send
[CHORUS]	93	Chorus Send
[ATTACK]	73	Attack Time
[DECAY]	75	Decay Time
[SUSTAIN] *1	31	Sustain Level
[RELEASE]	72	Release Time
[PAN]	10	Panpot
[PORTAMENTO TIME]	5	Portamento Time
[ARPEGGIO GATE TIME]		Parameter Change
[PHRASE CLIP PITCH]		Parameter Change
[TEMPO]		No MIDI output/input
[SCENE KNOB]	(14)	Set in the Utility Mode
[KNOB A]	(18)	Set in the Utility Mode
[KNOB B]	(19)	Set in the Utility Mode
[KNOB C]	(20)	Set in the Utility Mode
[KNOB 1]	(16)	Set in the Utility or Performance Mode
[KNOB 2]	(17)	Set in the Utility or Performance Mode

### [SOUND CONTROL SW]

Name	No.	Remarks
[ARPEGGIO SW]	(90)	Set in the Utility Mode
[ARPEGGIO HOLD]	(89)	Set in the Utility Mode
[PORTAMENTO SW]	65	Portamento Switch
[SCENE 1]		Same as [SCENE KNOB] = Minimum
[SCENE 2]		Same as [SCENE KNOB] = Maximum

\*1: Use the control change message when MIDI Control Mode is mode 2, and the parameter change message when mode 1.

The control numbers in the parentheses are the defaults.

No.	Name	No.	Name
1	UpOct1:Sq	65	SuperArp:Ph
2	UpOct2:Sq	66	MuteArp1:Ph
3	UpOct4:Sq	67	MuteArp2:Ph
4	DownOct1:Sq	68	VelGruv1:Ph
5	DownOct2:Sq	69	VelGruv2:Ph
6	DownOct4:Sq	70	SpaceArp:Ph
7	U/DAOct1:Sq	71	MuteLine:Ph
8	U/DAOct2:Sq	72	StepLine:Ph
9	U/DAOct4:Sq	73	AcidLine:Ph
10	U/DBOct1:Sq	74	SplitArp:Ph
11	U/DBOct2:Sq	75	Step Seq:Ph
12	U/DBOct4:Sq	76	PolyArp1:Ph
13	RndmOct1:Sq	77	PolyArp2:Ph
14	RndmOct2:Sq	78	Ana Seq:Ph
15	RndmOct4:Sq	79	Planet:Ph
16	Oct2Up:Sq	80	Rosync:Ph
17	Oct4Up:Sq	81	StrumArp:Ph
18	UnisonUp:Sq	82	Guit1Arp:Ph
19	Up&Down1:Sq	83	RolliArp:Ph
20	Up&Down2:Sq	84	Guit2Arp:Ph
21	Up&Down4:Sq	85	Guit3Arp:Ph
22	Up&Alt1:Sq	86	Guit4Arp:Ph
23	Up&Rndm1:Sq	87	Harp Arp:Ph
24	Up&Rndm2:Sq	88	BigBeat1:Dr
25	Up&Rndm4:Sq	89	BigBeat2:Dr
26	ChdAltB1:Sq	90	BigBeat3:Dr
27	ChdAltB2:Sq	91	BigBeat4:Dr
28	ChdAltB4:Sq	92	Rock1:Dr
29	ChdRndm1:Sq	93	Rock2:Dr
30	ChdRndm2:Sq	94	Rock3:Dr
31	ChdRndm4:Sq	95	BigBeat5:Dr
32	TechnoA:Ph	96	BigBeat6:Dr
33	TechnoB:Ph	97	BigBeat7:Dr
34	TechnoC:Ph	98	BigBeat8:Dr
35	DAHouse:Ph	99	BigBeat9:Dr
36	SyncopaA:Ph	100	BrkTrnce:Dr
37	SyncopaB:Ph	101	House1:Dr
38	SyncpEco:Ph	102	House2:Dr
39	TekEchoA:Ph	103	House3:Dr
40	TekEchoB:Ph	104	Garage:Dr
41	PulsLine:Ph	105	House4:Dr
42	SeqS&H1:Ph	106	House5:Dr
43	SeqS&H2:Ph	107	HipHop:Dr
44	CleanGt1:Ph	108	JazzHop:Dr
45	CleanGt2:Ph	109	Abstract:Dr
46	CleanGt3:Ph	110	LoBeat1:Dr
47	CleanGt4:Ph	111	LoBeat2:Dr
48	Pno16Bt:Ph	112	LoBeat3:Dr
49	PnoLatin:Ph	113	LoBeat4:Dr
50	CrvBass:Ph	114	LoBeat5:Dr
51	Ocean:Ph	115	LoBeat6:Dr
52	Orbit:Ph	116	Drm&Bs1:Dr
53	X-Sweep1:Ph	117	Drm&Bs2:Dr
54	X-Sweep2:Ph	118	Linear:Dr
55	X-Sweep3:Ph	119	08beat1:Cl
56	Lamb:Ph	120	08beat2:Cl
57	Thips:Ph	121	08beat3:Cl
58	Hardcore:Ph	122	16beat1:Cl
59	Harmo:Ph	123	16beat2:Cl
60	Ascorbic:Ph	124	1Bar:Cl
61	Doves:Ph	125	1BarRndm:Cl
62	Chodal:Ph	126	GateCut1:Ct
63	Simple:Ph	127	GateCut2:Ct
64	Waggle:Ph	128	GateCut3:Ct

# Effect Type List

Effect Category	Effect Name	LCD	MIDI (HEX)		No.			
			MSB	LSB	REV	CHO	InsEF1	InsEF2
---	NO EFFECT	off	00	00	0	0	0	0
---	THRU	Thru	00	00				
<b>REVERB</b>								
REV	HALL 1	Hall1	01	00	1			1
REV	HALL 2	Hall2	01	01	2			2
REV	ROOM 1	Room1	01	10	3			3
REV	ROOM 2	Room2	01	11	4			4
REV	ROOM 3	Room3	01	12	5			5
REV	STAGE 1	Stage1	01	20	6			6
REV	STAGE 2	Stage2	01	21	7			7
REV	PLATE	Plate	01	30	8			8
REV	WHITE ROOM	WhiteRm	01	40	9			
REV	TUNNEL	Tunnel	01	41	10			
REV	BASEMENT	Basement	01	42	11			
REV	CANYON	Canyon	01	43	12			
<b>DELAY</b>								
DLY	DELAY L.C.R	DelayLCR	02	00				9
DLY	DELAY L.R	DelayLR	02	10		18		10
DLY	ECHO	Echo	02	20				11
DLY	CROSS DELAY	CrossDly	02	30				12
DLY	CONTROL DELAY1 (MONO)	CtrlDly1	02	40		19		13
DLY	CONTROL DELAY2 (STEREO)	CtrlDly2	02	48		20		14
DLY	TEMPO DELAY1 (MONO)	TempDly1	02	50		21		15
DLY	TEMPO DELAY2 (STEREO)	TempDly2	02	58		22		16
DLY	TEMPO CROSS DELAY	TempCDly	02	60		23		17
<b>EARLY REFLECTION</b>								
ER	EARLY REFLECTION 1	ER 1	03	00				18
ER	EARLY REFLECTION 2	ER 2	03	01				19
ER	GATE REVERB	GateRevR	03	10				20
ER	REVERSE GATE	RvrsGate	03	20				21
<b>KARAOKE</b>								
KAR	KARAOKE 1	Karaoke1	04	00				22
KAR	KARAOKE 2	Karaoke2	04	01				23
KAR	KARAOKE 3	Karaoke3	04	02				24
<b>CHORUS</b>								
CHO	CHORUS 1	Chorus1	05	00		1	1	25
CHO	CHORUS 2	Chorus2	05	01		2	2	26
CHO	CHORUS 3	Chorus3	05	02		3	3	27
CHO	CHORUS 4	Chorus4	05	08		4	4	28
CHO	CHORUS 5	Chorus5	05	09		5	5	29
CHO	CELESTE 1	Celeste1	05	10		6	5	30
CHO	CELESTE 2	Celeste2	05	11		7	6	31
CHO	CELESTE 3	Celeste3	05	12		8	7	32
CHO	CELESTE 4	Celeste4	05	18		9	8	33
CHO	SYMPHONIC	Symphonc	05	20		10	34	34
CHO	ENSEMBLE DETUNE	Ensemble	05	30		11		35
<b>FLANGER</b>								
FLG	FLANGER 1	Flanger1	06	00		12	9	36
FLG	FLANGER 2	Flanger2	06	01		13	10	37
FLG	FLANGER 3	Flanger3	06	08		14	11	38
FLG	V-FLANGER	V-Flange	06	10				39
FLG	TEMPO FLANGER	TempFlng	06	50		15		40
<b>PHASER</b>								
PHA	PHASER 1	Phaser1	07	00		16	12	41
PHA	PHASER 2	Phaser2	07	08				42
PHA	TEMPO PHASER	TempPhas	07	50		17		43
<b>MODULATION</b>								
MOD	TREMOLO	Tremolo	08	00			13	44
MOD	AUTO PAN	AutoPan	08	10			14	45
MOD	ROTARY SPEAKER1	RotrySp1	08	50				46
MOD	DISTORTION+ROTARY SPEAKER1	Dt+RSp1	08	51				47
MOD	OVERDRIVE+ROTARY SPEAKER1	Od+RSp1	08	52				48
MOD	AMP SIM.+ROTARY SPEAKER1	Amp+RSp1	08	53				49
MOD	ROTARY SPEAKER2	RotrySp2	08	60				50
MOD	DISTORTION+ROTARY SPEAKER2	Dt+RSp2	08	61				51
MOD	OVERDRIVE+ROTARY SPEAKER2	Od+RSp2	08	62				52
MOD	AMP SIM.+ROTARY SPEAKER2	Amp+RSp2	08	63				53
MOD	ROTARY SPEAKER3	RotrySp3	08	70				54
MOD	ROTARY SPEAKER4	RotrySp4	08	71				55
<b>DISTORTION</b>								
DST	DISTORTION	Dist	09	00			15	56
DST	COMP DISTORTION	Comp+Dt	09	01				57
DST	V-DISTORTION	V-Dist	09	10				58
DST	OVER DRIVE	OverDrv	09	20		16		59
DST	AMP SIMULATOR	AmpSim	09	30		17		60
DST	DIST+DELAY	Dist+Dly	09	40				61
DST	OVERDRIVE+DELAY	Odrv+Dly	09	41				62
<b>DYNAMIC</b>								
DYN	COMPRESSOR1	Comp1	0A	00			18	63
DYN	NOISE GATE	NoisGate	0A	20			19	64
DYN	COMP+DIST+DELAY	CompDtDly	0A	40				65
DYN	COMP+OVERDRIVE+DELAY	CompOdDly	0A	41				66
<b>PITCH CHANGE</b>								
PCH	PITCH CHANGE 1	PchChng1	0B	00				67
PCH	PITCH CHANGE 2	PchChng2	0B	01				68
<b>WAH</b>								
WAH	AUTO WAH	AutoWah	0C	00			20	69
WAH	AUTO WAH + DIST	AWah+Dt	0C	01				70
WAH	AUTO WAH + OVERDRIVE	AWah+Od	0C	02				71
WAH	TOUCH WAH	TouchWah	0C	10			21	72
WAH	TOUCH WAH + DIST	TWah+Dt	0C	11				73
WAH	TOUCH WAH + OVERDRIVE	TWah+Od	0C	12				74
WAH	WAH+DIST+DELAY	WahDtDly	0C	40				75
WAH	WAH+OVERDRIVE+DELAY	WahOdDly	0C	41				76
<b>LO-FI</b>								
L-F	LO-FI	Lo-Fi	0D	00				77
L-F	LOW RESOLUTION	LowReso	0D	10				78
L-F	NOISY	Noisy	0D	20				79
L-F	ATTACK LOFI	AtkLoFi	0D	30				80
L-F	DIGITAL TURNABLE	DTurnTbl	0D	50				81
<b>TECH</b>								
TEC	DIGITAL SCRATCH	DScratch	0E	00				82
TEC	AUTO SYNTH	AutoSyn	0E	10				83
TEC	TECH MODULATION	TechMod	0E	20				84
TEC	JUMP	Jump	0E	30				85
<b>MISC</b>								
MSC	3BAND EQ	3BandEQ	0F	00			22	86
MSC	2BAND EQ	2BandEQ	0F	01			23	87
MSC	HARMONIC ENHANCER	Enhancer	0F	10			24	88
MSC	VOICE CANCEL	VceCancel	0F	20				89
MSC	AMBIENCE	Ambience	0F	30				90
MSC	TALKING MODULATOR	TalkMod	0F	40				91
MSC	BEAT CHANGE	BeatChng	0F	50				92

# Effect Parameter List

## 1. Reverb

### [1] HALL1 ~ [8] PLATE

No.	Parameter	Value	LCD	MIDI Parameter Number	Controller
1	Reverb Time	0.3s~30.0s	RevTime	1	
2	Initial Delay	0.1ms~200.0ms	InitDly	3	
3	Reverb Delay	0.1ms~200.0ms	RevDly	6	
4	HPF Cutoff Frequency	20Hz~8.0kHz	HPF	4	○
5	LPF Cutoff Frequency	1.0kHz~20.0kHz	LPF	5	○
6	Diffusion	0~10	Diffuse	2	
7	Density	0~4	Density	7	
8	ER / Rev Balance	E63>R ~ E=R ~ E<R63	ER/Rev	8	○
9	Feedback High Damp	0.1~1.0	FBHiDmp	9	
10	Feedback Level	-63~+63	FBLevel	10	○

### [9] WHITE ROOM ~ [12] CANYON

No.	Parameter	Value	LCD	MIDI Parameter Number	Controller
1	Reverb Time	0.3s~30.0s	RevTime	1	
2	Initial Delay	0.1ms~200.0ms	InitDly	3	
3	Reverb Delay	0.1ms~200.0ms	RevDly	10	
4	HPF Cutoff Frequency	20Hz~8.0kHz	HPF	4	○
5	LPF Cutoff Frequency	1.0kHz~20.0kHz	LPF	5	○
6	Diffusion	0~10	Diffuse	2	
7	Width	0.5m~30.2m	Width	6	
8	Height	0.5m~30.2m	Height	7	
9	Depth	0.5m~30.2m	Depth	8	
10	Wall Vary	0~30	Wall	9	

## 2. Chorus

### [1] CHORUS1~[5] CHORUS5

The parameters marked with "⊙" can be controlled using the Chorus Control.

### [6] CELESTE1~[9] CELESTE4

No.	Parameter	Value	LCD	MIDI Parameter Number	Controller
1	LFO Frequency	0.0Hz~39.70Hz	Speed	1	○
2	LFO Depth	0~127	Depth	2	⊙
3	EQ Low Frequency	32Hz~2.0kHz	L.Freq	5	○
4	EQ Low Gain	-12dB~+12dB	L.Gain	6	○
5	EQ High Frequency	500Hz~6.0kHz	H.Freq	7	○
6	EQ High Gain	-12dB~+12dB	H.Gain	8	○
7	Delay Offset	0.0ms~50.0ms	DlyOfst	4	
8	Feedback Level	-63~+63	FBLevel	3	○

### [10] SYMPHONIC

No.	Parameter	Value	LCD	MIDI Parameter Number	Controller
1	LFO Frequency	0.0Hz~39.70Hz	Speed	1	○
2	LFO Depth	0~127	Depth	2	⊙
3	Delay Offset	0.0ms~50.0ms	DlyOfst	3	
4	EQ Low Frequency	32Hz~2.0kHz	L.Freq	4	○
5	EQ Low Gain	-12dB~+12dB	L.Gain	5	○
6	EQ High Frequency	500Hz~16.0kHz	H.Freq	6	○
7	EQ High Gain	-12dB~+12dB	H.Gain	7	○

### [11] ENSEMBLE DETUNE

No.	Parameter	Value	LCD	MIDI Parameter Number	Controller
1	Detune	-50cent~+50cent	Detune	1	⊙
2	Initial Delay Lch	0.0ms~50.0ms	DelayL	2	
3	Initial Delay Rch	0.0ms~50.0ms	DelayR	3	

### [12] FLANGER1 ~ [14] FLANGER3

No.	Parameter	Value	LCD	MIDI Parameter Number	Controller
1	LFO Frequency	0.0Hz~39.70Hz	Speed	1	⊙
2	LFO Depth	0~127	Depth	2	○
3	LFO Phase Difference	-180deg~+180deg	Phase	5	
4	EQ Low Frequency	32Hz~2.0kHz	L.Freq	6	○
5	EQ Low Gain	-12dB~+12dB	L.Gain	7	○
6	EQ High Frequency	500Hz~16.0kHz	H.Freq	8	○
7	EQ High Gain	-12dB~+12dB	H.Gain	9	○
8	Delay Offset	0.0ms~50.0ms	DlyOfst	4	
9	Feedback Level	-63~+63	FBLevel	3	○

**[15] TEMPO FLANGER**

No.	Parameter	Value	LCD	MIDI Parameter Number	Controller
1	LFO Frequency	5-21	Speed	1	○
2	LFO Depth	0-127	Depth	2	⊙
3	LFO Phase Difference	-180deg-+180deg	Phase	6	
4	LFO Phase Reset	off/free run, Key/On/Reset, SEQ Start/Reset	Reset	5	
5	EQ Low Frequency	32Hz-2.0kHz	L.Freq	7	○
6	EQ Low Gain	-12dB-+12dB	L.Gain	8	○
7	EQ High Frequency	500Hz-16.0kHz	H.Freq	9	○
8	EQ High Gain	-12dB-+12dB	H.Gain	10	○
9	Delay Offset	0.0ms-50.0ms	DlyOfst	4	
10	Feedback Level	-63-+63	FBLevel	3	○

**[16] PHASER1**

No.	Parameter	Value	LCD	MIDI Parameter Number	Controller
1	LFO Frequency	0.0Hz-39.70Hz	Speed	1	○
2	LFO Depth	0-127	Depth	2	○
3	Diffusion	mono/stereo	Diffuse	6	○
4	EQ Low Frequency	32Hz-2.0kHz	L.Freq	7	○
5	EQ Low Gain	-12dB-+12dB	L.Gain	8	○
6	EQ High Frequency	500Hz-16.0kHz	H.Freq	9	○
7	EQ High Gain	-12dB-+12dB	H.Gain	10	○
8	Stage	4, 5, 6	Stage	5	○
9	Phase Shift Offset	0-127	PhShift	3	
10	Feedback Level	-63-+63	FBLevel	4	⊙

**[17] TEMPO PHASER**

No.	Parameter	Value	LCD	MIDI Parameter Number	Controller
1	LFO Frequency	5-21	Speed	1	○
2	LFO Depth	0-127	Depth	2	⊙
3	LFO Phase Reset	off/free run, Key/On/Reset, SEQ Start/Reset	PhaseReset	6	
4	EQ Low Frequency	32Hz-2.0kHz	L.Freq	7	○
5	EQ Low Gain	-12dB-+12dB	L.Gain	8	○
6	EQ High Frequency	500Hz-16.0kHz	H.Freq	9	○
7	EQ High Gain	-12dB-+12dB	H.Gain	10	○
8	Stage	4, 5, 6	Stage	5	○
9	Phase Shift Offset	0-127	PhShift	3	
10	Feedback Level	-63-+63	FBLevel	4	○

**[18] DELAY L,R(stereo)**

No.	Parameter	Value	LCD	MIDI Parameter Number	Controller
1	Delay Time L	0.1ms-740.0ms	TimeL	1	
2	Delay Time R	0.1ms-740.0ms	TimeR	2	
3	Feedback Time 1	0.1ms-740.0ms	FBTime1	3	
4	Feedback Time 2	0.1ms-740.0ms	FBTime2	4	
5	Feedback Level	-63-+63	FBLevel	5	⊙
6	Feedback High Damp	0.1-1.0	FBHiDmp	6	○
7	EQ Low Frequency	32Hz-2.0kHz	L.Freq	7	○
8	EQ Low Gain	-12dB-+12dB	L.Gain	8	○
9	EQ High Frequency	500Hz-16.0kHz	H.Freq	9	○
10	EQ High Gain	-12dB-+12dB	H.Gain	10	○

**[19] CONTROL DELAY1(mono)**

No.	Parameter	Value	LCD	MIDI Parameter Number	Controller
1	Delay Time	0.1ms-1480.0ms	Time	1	⊙
2	Delay Transition Rate	1-48	Trnsitn	2	○
3	Feedback Level	-63-+63	FBLevel	3	○
4	Feedback High Damp	0.1-1.0	FBHiDmp	4	○
5	EQ Low Frequency	32Hz-2.0kHz	L.Freq	5	○
6	EQ Low Gain	-12dB-+12dB	L.Gain	6	○
7	EQ High Frequency	500Hz-16.0kHz	H.Freq	7	○
8	EQ High Gain	-12dB-+12dB	H.Gain	8	○

**[20] CONTROL DELAY2(stereo)**

No.	Parameter	Value	LCD	MIDI Parameter Number	Controller
1	Delay Time	0.1ms-740.0ms	Time	1	⊙
2	Delay Transition Rate	1-48	Trnsitn	2	○
3	Feedback Level	-63-+63	FBLevel	3	○
4	Feedback High Damp	0.1-1.0	FBHiDmp	4	○
5	EQ Low Frequency	32Hz-2.0kHz	L.Freq	5	○
6	EQ Low Gain	-12dB-+12dB	L.Gain	6	○
7	EQ High Frequency	500Hz-16.0kHz	H.Freq	7	○
8	EQ High Gain	-12dB-+12dB	H.Gain	8	○

**[21] TEMPO DELAY1(mono)**

No.	Parameter	Value	LCD	MIDI Parameter Number	Controller
1	Delay Time	2-14	Time	1	
2	Lag	-63ms-+63ms	Lag	5	
3	L/R Diffusion	-63ms-+63ms	Diffuse	4	
4	Feedback Level	-63-+63	FBLevel	2	⊙
5	Feedback High Damp	0.1-1.0	FBHiDmp	3	○
6	EQ Low Frequency	32Hz-2.0kHz	L.Freq	6	○
7	EQ Low Gain	-12dB-+12dB	L.Gain	7	○
8	EQ High Frequency	500Hz-16.0kHz	H.Freq	8	○
9	EQ High Gain	-12dB-+12dB	H.Gain	9	○

**[22] TEMPO DELAY2(stereo)**

No.	Parameter	Value	LCD	MIDI Parameter Number	Controller
1	Delay Time	2-14	Time	1	
2	Lag	-63ms-+63ms	Lag	5	
3	L/R Diffusion	-63ms-+63ms	Diffuse	4	
4	Feedback Level	-63-+63	FBLevel	2	⊙
5	Feedback High Damp	0.1-1.0	FBHiDmp	3	○
6	EQ Low Frequency	32Hz-2.0kHz	L.Freq	6	○
7	EQ Low Gain	-12dB-+12dB	L.Gain	7	○
8	EQ High Frequency	500Hz-16.0kHz	H.Freq	8	○
9	EQ High Gain	-12dB-+12dB	H.Gain	9	○

**[23] TEMPO CROSS DELAY**

No.	Parameter	Value	LCD	MIDI Parameter Number	Controller
1	Delay Time L>R	2-14	TimeL>R	1	
2	Delay Time R>L	2-14	TimeR>L	2	
3	Input Select	L, R, L&R	Input	5	
4	Lag	-63ms-+63ms	Lag	6	
5	Feedback Level	-63-+63	FBLevel	3	⊙
6	Feedback High Damp	0.1-1.0	FBHiDmp	4	○
7	EQ Low Frequency	32Hz-2.0kHz	L.Freq	7	○
8	EQ Low Gain	-12dB-+12dB	L.Gain	8	○
9	EQ High Frequency	500Hz-16.0kHz	H.Freq	9	○
10	EQ High Gain	-12dB-+12dB	H.Gain	10	○

**3. Insertion Effect 1  
[0] THRU (None)**

**[1]-[4] CHORUS1-4**

**[5]-[8] CELESTE1-4**

No.	Parameter	Value	LCD	MIDI Parameter Number	Controller
1	LFO Frequency	0.0Hz-39.70Hz	Speed	1	○
2	LFO Depth	0-127	Depth	2	○
3	Input Mode	mono/stereo	Input	9	
4	EQ Low Frequency	32Hz-2.0kHz	L.Freq	5	○
5	EQ Low Gain	-12dB-+12dB	L.Gain	6	○
6	EQ High Frequency	500Hz-16.0kHz	H.Freq	7	○
7	EQ High Gain	-12dB-+12dB	H.Gain	8	○
8	Delay Offset	0.0ms-50.0ms	DlyOfst	4	
9	Feedback Level	-63-+63	FBLevel	3	○
10	Dry / Wet Balance	D63>W -D=W -D<W63	Dry/Wet	10	○

**[9]-[11] FLANGER1-3**

No.	Parameter	Value	LCD	MIDI Parameter Number	Controller
1	LFO Frequency	0.0Hz-39.70Hz	Speed	1	○
2	LFO Depth	0-127	Depth	2	○
3	LFO Phase Difference	-180deg-+180deg	Phase	9	
4	EQ Low Frequency	32Hz-2.0kHz	L.Freq	5	○
5	EQ Low Gain	-12dB-+12dB	L.Gain	6	○
6	EQ High Frequency	500Hz-16.0kHz	H.Freq	7	○
7	EQ High Gain	-12dB-+12dB	H.Gain	8	○
8	Delay Offset	0.0ms-50.0ms	DlyOfst	4	
9	Feedback Level	-63-+63	FBLevel	3	○
10	Dry / Wet Balance	D63>W -D=W -D<W63	Dry/Wet	10	○

**[12] PHASER1**

No.	Parameter	Value	LCD	MIDI Parameter Number	Controller
1	LFO Frequency	0.0Hz~39.70Hz	Speed	1	○
2	LFO Depth	0~127	Depth	2	○
3	EQ Low Frequency	32Hz~2.0kHz	L.Freq	6	○
4	EQ Low Gain	-12dB~+12dB	L.Gain	7	○
5	EQ High Frequency	500Hz~16.0kHz	H.Freq	8	○
6	EQ High Gain	-12dB~+12dB	H.Gain	9	○
7	Stage	4, 5, 6	Stage	5	○
8	Phase Shift Offset	0~127	PhShift	3	○
9	Feedback Level	-63~+63	FBLevel	4	○
10	Dry / Wet Balance	D63>W ~ D=W ~ D<W63	Dry/Wet	10	○

**[13] TREMOLO**

No.	Parameter	Value	LCD	MIDI Parameter Number	Controller
1	LFO Frequency	0.0Hz~39.70Hz	Speed	1	○
2	AM Depth	0~127	AMDepth	2	○
3	PM Depth	0~127	PMDepth	3	○
4	LFO Phase Difference	-180deg~+180deg	Phase	4	○
5	EQ Low Frequency	32Hz~2.0kHz	L.Freq	5	○
6	EQ Low Gain	-12dB~+12dB	L.Gain	6	○
7	EQ High Frequency	500Hz~16.0kHz	H.Freq	7	○
8	EQ High Gain	-12dB~+12dB	H.Gain	8	○
9	Input Mode	mono/stereo	Input	9	○

**[14] AUTO PAN**

No.	Parameter	Value	LCD	MIDI Parameter Number	Controller
1	LFO Frequency	0.0Hz~39.70Hz	Speed	1	○
2	L/R Depth	0~127	L/RDpth	2	○
3	F/R Depth	0~127	F/RDpth	3	○
4	PAN Direction	L<R, L>R, L<<R, L>>R, L<Rm, R<Lm, L<R (0-5)	Directn	4	○
5	EQ Low Frequency	32Hz~2.0kHz	L.Freq	5	○
6	EQ Low Gain	-12dB~+12dB	L.Gain	6	○
7	EQ High Frequency	500Hz~16.0kHz	H.Freq	7	○
8	EQ High Gain	-12dB~+12dB	H.Gain	8	○

**[15] DISTORTION****[16] OVERDRIVE**

No.	Parameter	Value	LCD	MIDI Parameter Number	Controller
1	Drive	0~127	Drive	1	○
2	Edge	0~127	Edge	9	○
3	Output Level	0~127	OutLvl	8	○
4	EQ Low Frequency	32Hz~2.0kHz	L.Freq	2	○
5	EQ Low Gain	-12dB~+12dB	L.Gain	3	○
6	LPF Cutoff Frequency	1.0kHz~20.0kHz	LPF	7	○
7	EQ Mid Frequency	100Hz~10.0kHz	M.Freq	4	○
8	EQ Mid Gain	-12dB~+12dB	M.Gain	5	○
9	EQ Mid Width	0.1~12.0	M.Width	6	○
10	Dry / Wet Balance	D63>W ~ D=W ~ D<W63	Dry/Wet	10	○

**[17] AMP SIMULATOR**

No.	Parameter	Value	LCD	MIDI Parameter Number	Controller
1	AMP Type	off, stack, combo, tube	AmpType	2	○
2	Drive	0~127	Drive	1	○
3	Edge	0~127	Edge	4	○
4	Output Level	0~127	OutLvl	5	○
5	LPF Cutoff Frequency	1.0kHz~20.0kHz	LPF	3	○
6	Dry / Wet Balance	D63>W ~ D=W ~ D<W63	Dry/Wet	6	○

**[18] COMPRESSOR**

No.	Parameter	Value	LCD	MIDI Parameter Number	Controller
1	Attack	1ms~40ms	Attack	1	○
2	Release	10ms~680ms	Release	2	○
3	Threshold	-48dB~-6dB	Threshld	3	○
4	Ratio	1~20.0	Ratio	4	○
5	Output Level	0~127	OutLvl	5	○

**[19] NOISE GATE**

No.	Parameter	Value	LCD	MIDI Parameter Number	Controller
1	Attack	1ms~40ms	Attack	1	○
2	Release	10ms~680ms	Release	2	○
3	Threshold	-72dB~-30dB	Threshld	3	○
4	Output Level	0~127	Out Lvl	4	○

**[20] AUTO WAH**

No.	Parameter	Value	LCD	MIDI Parameter Number	Controller
1	LFO Frequency	0.0Hz~39.70Hz	Speed	1	○
2	LFO Depth	0~127	Depth	2	○
3	Cutoff Frequency Offset	0~127	Cutoff	3	○
4	Resonance	1~12.0	Reso	4	○
5	EQ Low Frequency	32Hz~2.0kHz	L.Freq	5	○
6	EQ Low Gain	-12dB~+12dB	L.Gain	6	○
7	EQ High Frequency	500Hz~16.0kHz	H.Freq	7	○
8	EQ High Gain	-12dB~+12dB	H.Gain	8	○
9	Dry / Wet Balance	D63>W ~ D=W ~ D<W63	Dry/Wet	9	○

**[21] TOUCH WAH**

No.	Parameter	Value	LCD	MIDI Parameter Number	Controller
1	Sensitive	0~127	Sens	1	○
2	Cutoff Frequency Offset	0~127	Cutoff	2	○
3	Resonance	1~12.0	Reso	3	○
4	EQ Low Frequency	32Hz~2.0kHz	L.Freq	4	○
5	EQ Low Gain	-12dB~+12dB	L.Gain	5	○
6	EQ High Frequency	500Hz~16.0kHz	H.Freq	6	○
7	EQ High Gain	-12dB~+12dB	H.Gain	7	○
8	Dry / Wet Balance	D63>W ~ D=W ~ D<W63	Dry/Wet	8	○

**[22] 2BAND EQ**

No.	Parameter	Value	LCD	MIDI Parameter Number	Controller
1	EQ Low Frequency	32Hz~2.0kHz	L.Freq	1	○
2	EQ Low Gain	-12dB~+12dB	L.Gain	2	○
3	EQ High Frequency	500Hz~16.0kHz	H.Freq	3	○
4	EQ High Gain	-12dB~+12dB	H.Gain	4	○

**[23] 3BAND EQ**

No.	Parameter	Value	LCD	MIDI Parameter Number	Controller
1	EQ Low Frequency	50Hz~2.0kHz	L.Freq	1	○
2	EQ Low Gain	-12dB~+12dB	L.Gain	2	○
3	EQ High Frequency	500Hz~16.0kHz	H.Freq	6	○
4	EQ High Gain	-12dB~+12dB	H.Gain	7	○
5	EQ Mid Frequency	100Hz~10.0kHz	M.Freq	3	○
6	EQ Mid Gain	-12dB~+12dB	M.Gain	4	○
7	EQ Mid Width	0.1~12.0	M.Width	5	○
8	Input Mode	mono/stereo	Input	8	○

**[24] HARMONIC ENHANCER**

No.	Parameter	Value	LCD	MIDI Parameter Number	Controller
1	HPF Cutoff Frequency	500Hz~+16.0kHz	HPF	1	○
2	Drive	0~127	Drive	2	○
3	Mix Level	0~127	Mix Lvl	3	○

**4. Insertion Effect 2****[0] THRU (None)****[1] HALL1 ~ [8] PLATE**

No.	Parameter	Value	LCD	MIDI Parameter Number	Controller
1	Reverb Time	0.3s~30.0s	RevTime	1	○
2	Initial Delay	0.1ms~99.3ms	InitDly	3	○
3	Reverb Delay	0.1ms~99.3ms	RevDly	11	○
4	Dry / Wet Balance	D63>W ~ D=W ~ D<W63	Dry/Wet	10	○
5	HPF Cutoff Frequency	20Hz~8.0kHz	HPF	4	○
6	LPF Cutoff Frequency	1.0kHz~20.0kHz	LPF	5	○
7	Diffusion	0~10	Diffuse	2	○
8	Density	0~4	Density	12	○
9	ER / Rev Balance	E63>R ~ E=R ~ E<R63	ER/Rev	13	○
10	Feedback Level	-63~+63	FBLevel	15	○
11	Feedback High Damp	0.1~1.0	FBHiDmp	14	○

**[9] DELAY L,C,R**

No.	Parameter	Value	LCD	MIDI Parameter Number	Controller
1	Delay Time L	0.1ms~1486.0ms	TimeL	1	
2	Delay Time R	0.1ms~1486.0ms	TimeR	2	
3	Delay Time C	0.1ms~1486.0ms	TimeC	3	
4	Dry / Wet Balance	D63>W ~ D=W ~ D<W63	Dry/Wet	10	○
5	Delay Level C	0~127	LevelC	6	○
6	Feedback Time	0.1ms~1486.0ms	FBTime	4	
7	Feedback Level	-63~+63	FBLevel	5	○
8	Feedback High Damp	0.1~1.0	FBHiDmp	7	○
9	EQ Low Frequency	32Hz~2.0kHz	L.Freq	13	○
10	EQ Low Gain	-12dB~+12dB	L.Gain	14	○
11	EQ High Frequency	500Hz~16.0kHz	H.Freq	15	○
12	EQ High Gain	-12dB~+12dB	H.Gain	16	○

**[10] DELAY L,R**

No.	Parameter	Value	LCD	MIDI Parameter Number	Controller
1	Delay Time L	0.1ms~1486.0ms	TimeL	1	
2	Delay Time R	0.1ms~1486.0ms	TimeR	2	
3	Dry / Wet Balance	D63>W ~ D=W ~ D<W63	Dry/Wet	10	○
4	Feedback Time 1	0.1ms~1486.0ms	FBTime1	3	
5	Feedback Time 2	0.1ms~1486.0ms	FBTime2	4	
6	Feedback Level	-63~+63	FBLevel	5	○
7	Feedback High Damp	0.1~1.0	FBHiDmp	6	○
8	EQ Low Frequency	32Hz~2.0kHz	L.Freq	13	○
9	EQ Low Gain	-12dB~+12dB	L.Gain	14	○
10	EQ High Frequency	500Hz~16.0kHz	H.Freq	15	○
11	EQ High Gain	-12dB~+12dB	H.Gain	16	○

**[11] ECHO**

No.	Parameter	Value	LCD	MIDI Parameter Number	Controller
1	Delay Time L1	0.1ms~743.0ms	TimeL1	1	
2	Delay Time R1	0.1ms~743.0ms	TimeR1	3	
3	Dry / Wet Balance	D63>W ~ D=W ~ D<W63	Dry/Wet	10	○
4	Feedback Level L	-63~+63	FBLvL	2	○
5	Feedback Level R	-63~+63	FBLvR	4	○
6	Feedback High Damp	0.1~1.0	FBHiDmp	5	○
7	Delay Time L2	0.1ms~743.0ms	TimeL2	6	
8	Delay Time R2	0.1ms~743.0ms	TimeR2	7	
9	Delay Level	0~127	Level2	8	○
10	EQ Low Frequency	32Hz~2.0kHz	L.Freq	13	○
11	EQ Low Gain	-12dB~+12dB	L.Gain	14	○
12	EQ High Frequency	500Hz~16.0kHz	H.Freq	15	○
13	EQ High Gain	-12dB~+12dB	H.Gain	16	○

**[12] CROSS DELAY**

No.	Parameter	Value	LCD	MIDI Parameter Number	Controller
1	Delay Time L>R	0.1ms~743.0ms	TimeL>R	1	
2	Delay Time R>L	0.1ms~743.0ms	TimeR>L	2	
3	Input Select	L, R, L&R	Input	4	
4	Dry / Wet Balance	D63>W ~ D=W ~ D<W63	Dry/Wet	10	○
5	Feedback Level	-63~+63	FBLevel	3	○
6	Feedback High Damp	0.1~1.0	FBHiDmp	5	○
7	EQ Low Frequency	32Hz~2.0kHz	L.Freq	13	○
8	EQ Low Gain	-12dB~+12dB	L.Gain	14	○
9	EQ High Frequency	500Hz~16.0kHz	H.Freq	15	○
10	EQ High Gain	-12dB~+12dB	H.Gain	16	○

**[13] CONTROL DELAY1(mono)**

No.	Parameter	Value	LCD	MIDI Parameter Number	Controller
1	Delay Time	0.1ms~1486.0ms	Time	1	○
2	Delay Transition Rate	1~48	Trnsitn	2	○
3	Dry / Wet Balance	D63>W ~ D=W ~ D<W63	Dry/Wet	10	○
4	Control Type	normal, scratch	CtrType	11	○
5	Feedback Level	-63~+63	FBLevel	3	○
6	Feedback High Damp	0.1~1.0	FBHiDmp	4	○
7	EQ Low Frequency	32Hz~2.0kHz	L.Freq	6	○
8	EQ Low Gain	-12dB~+12dB	L.Gain	7	○
9	EQ High Frequency	500Hz~16.0kHz	H.Freq	8	○
10	EQ High Gain	-12dB~+12dB	H.Gain	9	○

**[14] CONTROL DELAY2(stereo)**

No.	Parameter	Value	LCD	MIDI Parameter Number	Controller
1	Delay Time	0.1ms~743.0ms	Time	1	○
2	Delay Transition Rate	1~48	Trnsitn	2	○
3	Dry / Wet Balance	D63>W ~ D=W ~ D<W63	Dry/Wet	10	○
4	Control Type	normal, scratch	CtrType	11	○
5	Feedback Level	-63~+63	FBLevel	3	○
6	Feedback High Damp	0.1~1.0	FBHiDmp	4	○
7	EQ Low Frequency	32Hz~2.0kHz	L.Freq	6	○
8	EQ Low Gain	-12dB~+12dB	L.Gain	7	○
9	EQ High Frequency	500Hz~16.0kHz	H.Freq	8	○
10	EQ High Gain	-12dB~+12dB	H.Gain	9	○

**[15] TEMPO DELAY1(mono)**

No.	Parameter	Value	LCD	MIDI Parameter Number	Controller
1	Delay Time	2~14	Time	1	
2	Dry / Wet Balance	D63>W ~ D=W ~ D<W63	Dry/Wet	10	○
3	Lag	-63ms~+63ms	Lag	6	
4	L/R Diffusion	-63ms~+63ms	Diffuse	5	
5	Feedback Level	-63~+63	FBLevel	3	○
6	Feedback High Dump	0.1~1.0	FBHiDmp	4	○
7	EQ Low Frequency	32Hz~2.0kHz	L.Freq	13	○
8	EQ Low Gain	-12dB~+12dB	L.Gain	14	○
9	EQ High Frequency	500Hz~16.0kHz	H.Freq	15	○
10	EQ High Gain	-12dB~+12dB	H.Gain	16	○

**[16] TEMPO DELAY2(stereo)**

No.	Parameter	Value	LCD	MIDI Parameter Number	Controller
1	Delay Time	2~14	Time	1	
2	Dry / Wet Balance	D63>W ~ D=W ~ D<W63	Dry/Wet	10	○
3	Lag	-63ms~+63ms	Lag	6	
4	L/R Diffusion	-63ms~+63ms	Diffuse	5	
5	Feedback Level	-63~+63	FBLevel	3	○
6	Feedback High Dump	0.1~1.0	FBHiDmp	4	○
7	EQ Low Frequency	32Hz~2.0kHz	L.Freq	13	○
8	EQ Low Gain	-12dB~+12dB	L.Gain	14	○
9	EQ High Frequency	500Hz~16.0kHz	H.Freq	15	○
10	EQ High Gain	-12dB~+12dB	H.Gain	16	○

**[17] TEMPO CROSS DELAY**

No.	Parameter	Value	LCD	MIDI Parameter Number	Controller
1	Delay Time L>R	2~14	TimeL>R	1	
2	Delay Time R>L	2~14	TimeR>L	2	
3	Input Select	L, R, L&R	Input	6	
4	Dry / Wet Balance	D63>W ~ D=W ~ D<W63	Dry/Wet	10	○
5	Lag	-63ms~ +63ms	Lag	8	
6	Feedback Level	-63~+63	FBLevel	4	○
7	Feedback High Dump	0.1~1.0	FBHiDmp	5	○
8	EQ Low Frequency	32Hz~2.0kHz	L.Freq	13	○
9	EQ Low Gain	-12dB~+12dB	L.Gain	14	○
10	EQ High Frequency	500Hz~16.0kHz	H.Freq	15	○
11	EQ High Gain	-12dB~+12dB	H.Gain	16	○

**[18]-[19] EARLY REF1~2**

No.	Parameter	Value	LCD	MIDI Parameter Number	Controller
1	Type	S-hall, L-hall, random, reverse, plate, spring	Type	1	
2	Room Size	0.1~20.0	Size	2	
3	Dry / Wet Balance	D63>W ~ D=W ~ D<W63	Dry/Wet	10	○
4	Diffusion	0 ~ 10	Diffuse	3	
5	Initial Delay	0.1ms~200.0ms	InitDly	4	
6	Liveness	0 ~ 10	Liveness	11	
7	Density	0 ~ 3	Density	12	
8	HPF Cutoff Frequency	20Hz~8.0kHz	HPF	6	○
9	LPF Cutoff Frequency	1.0kHz~20.0kHz	LPF	7	○
10	Feedback Level	-63~+63	FBLevel	5	○
11	Feedback High Damp	0.1~1.0	FBHiDmp	13	

**[20] GATE REVERB**  
**[21] REVERSE GATE**

No.	Parameter	Value	LCD	MIDI Parameter Number	Controller
1	Type	Type-A, Type-B	Type	1	
2	Room Size	0.1~20.0	Size	2	
3	Dry / Wet Balance	D63>W ~ D=W ~ D<W63	Dry/Wet	10	○
4	Diffusion	0 ~ 10	Diffuse	3	
5	Initial Delay	0.1ms~200.0ms	InitDly	4	
6	Liveness	0 ~ 10	Livenss	11	
7	Density	0 ~ 3	Density	12	
8	HPF Cutoff Frequency	20Hz~8.0kHz	HPF	6	○
9	LPF Cutoff Frequency	1.0kHz~20.0kHz	LPF	7	○
10	Feedback Level	-63~+63	FBLevel	5	○
11	Feedback High Damp	0.1~1.0	FBHiDmp	13	

**[22]~[24] KARAOKE1~3**

No.	Parameter	Value	LCD	MIDI Parameter Number	Controller
1	Delay Time	0.1ms~400.0ms	DlyTime	1	
2	Feedback Level	-63~+63	FBLevel	2	○
3	Dry / Wet Balance	D63>W ~ D=W ~ D<W63	Dry/Wet	10	○
4	HPF Cutoff Frequency	20Hz~8.0kHz	HPF	3	○
5	LPF Cutoff Frequency	1.0kHz~20.0kHz	LPF	4	○

**[25]~[29] CHORUS1~5**  
**[30]~[33] CELESTE1~4**

No.	Parameter	Value	LCD	MIDI Parameter Number	Controller
1	LFO Frequency	0.0Hz~39.70Hz	Speed	1	○
2	LFO Depth	0~127	Depth	2	○
3	Input Mode	mono/stereo	Input	15	
4	EQ Low Frequency	32Hz~2.0kHz	L.Freq	6	○
5	EQ Low Gain	-12dB~+12dB	L.Gain	7	○
6	EQ High Frequency	500Hz~16.0kHz	H.Freq	8	○
7	EQ High Gain	-12dB~+12dB	H.Gain	9	○
8	EQ Mid Frequency	100Hz~10.0kHz	M.Freq	11	○
9	EQ Mid Gain	-12dB~+12dB	M.Gain	12	○
10	EQ Mid Width	0.1~12.0	M.Width	13	○
11	Delay Offset	0.0ms~50.0ms	DlyOfst	4	
12	Feedback Leve	-63~+63	FBLevel	3	○
13	Dry / Wet Balance	D63>W ~ D=W ~ D<W63	Dry/Wet	10	○

**[34] SYMPHONIC**

No.	Parameter	Value	LCD	MIDI Parameter Number	Controller
1	LFO Frequency	0.0Hz~39.70Hz	Speed	1	○
2	LFO Depth	0~127	Depth	2	○
3	Delay Offset	0.0ms~50.0ms	DlyOfst	4	
4	EQ Low Frequency	32Hz~2.0kHz	L.Freq	6	○
5	EQ Low Gain	-12dB~+12dB	L.Gain	7	○
6	EQ High Frequency	500Hz~16.0kHz	H.Freq	8	○
7	EQ High Gain	-12dB~+12dB	H.Gain	9	○
8	EQ Mid Frequency	100Hz~10.0kHz	M.Freq	11	○
9	EQ Mid Gain	-12dB~+12dB	M.Gain	12	○
10	EQ Mid Width	0.1~12.0	M.Width	13	○
11	Dry / Wet Balance	D63>W ~ D=W ~ D<W63	Dry/Wet	10	○

**[35] ENSEMBLE DETUNE**

No.	Parameter	Value	LCD	MIDI Parameter Number	Controller
1	Detune	-50cent~+50cent	Detune	1	
2	Initial Delay Lch	0.0ms~50.0ms	DelayL	2	
3	Initial Delay Rch	0.0ms~50.0ms	DelayR	3	
4	Dry / Wet Balance	D63>W ~ D=W ~ D<W63	Dry/Wet	10	○
5	EQ Low Frequency	32Hz~2.0kHz	L.Freq	11	○
6	EQ Low Gain	-12dB~+12dB	L.Gain	12	○
7	EQ High Frequency	500Hz~16.0kHz	H.Freq	13	○
8	EQ High Gain	-12dB~+12dB	H.Gain	14	○

**[36]~[38] FLANGER1~3**

No.	Parameter	Value	LCD	MIDI Parameter Number	Controller
1	LFO Frequency	0.0Hz~39.70Hz	Speed	1	○
2	LFO Depth	0~127	Depth	2	○
3	LFO Phase Difference	-180deg~+180deg	Phase	14	
4	EQ Low Frequency	32Hz~2.0kHz	L.Freq	6	○
5	EQ Low Gain	-12dB~+12dB	L.Gain	7	○
6	EQ High Frequency	500Hz~16.0kHz	H.Freq	8	○
7	EQ High Gain	-12dB~+12dB	H.Gain	9	○
8	EQ Mid Frequency	100Hz~10.0kHz	M.Freq	11	○
9	EQ Mid Gain	-12dB~+12dB	M.Gain	12	○
10	EQ Mid Width	0.1~12.0	M.Width	13	○
11	Delay Offset	0.0ms~50.0ms	DlyOfst	4	
12	Feedback Leve	-63~+63	FBLevel	3	○
13	Dry / Wet Balance	D63>W ~ D=W ~ D<W63	Dry/Wet	10	○

**[39] V-FLANGER**

No.	Parameter	Value	LCD	MIDI Parameter Number	Controller
1	LFO Frequency	0.0Hz~39.70Hz	Speed	1	○
2	LFO Depth	0~127	Depth	2	○
3	LFO Wave	Triangle, Sine, Random	Wave	3	
4	Modulation Phase	-180~+180	Phase	5	
5	EQ Low Frequency	32Hz~2.0kHz	L.Freq	6	○
6	EQ Low Gain	-12dB~+12dB	L.Gain	7	○
7	EQ High Frequency	500Hz~16.0kHz	H.Freq	8	○
8	EQ High Gain	-12dB~+12dB	H.Gain	9	○
9	EQ Mid Frequency	100Hz~10.0kHz	M.Freq	11	○
10	EQ Mid Gain	-12dB~+12dB	M.Gain	12	○
11	EQ Mid Width	0.1~12.0	M.Width	13	○
12	Analog Feel	0~10	Analog	16	○
13	Feedback Gain	-100~+100%	FBLevel	14	○
14	Feedback High Damp	0.1~1.0	FBHiDmp	15	○
15	Delay Offset	0.09~36.21ms	DlyOfst	4	
16	Dry / Wet Balance	D63>W ~ D=W ~ D<W63	Dry/Wet	10	○

**[40] TEMPO FLANGER**

No.	Parameter	Value	LCD	MIDI Parameter Number	Controller
1	LFO Frequency	5~21	Speed	1	○
2	LFO Depth	0~127	Depth	2	○
3	LFO Phase Difference	-180deg~+180deg	Phase	14	
4	LFO Phase Reset	off/free run/, KeyOn/Reset, SEQ Start/Reset	Reset	5	
5	EQ Low Frequency	32Hz~2.0kHz	L.Freq	6	○
6	EQ Low Gain	-12dB~+12dB	L.Gain	7	○
7	EQ High Frequency	500Hz~16.0kHz	H.Freq	8	○
8	EQ High Gain	-12dB~+12dB	H.Gain	9	○
9	EQ Mid Frequency	100Hz~10.0kHz	M.Freq	11	○
10	EQ Mid Gain	-12dB~+12dB	M.Gain	12	○
11	EQ Mid Width	0.1~12.0	M.Width	13	○
12	Delay Offset	0.0ms~50.0ms	DlyOfst	4	
13	Feedback Level	-63~+63	FBLevel	3	○
14	Dry / Wet Balance	D63>W ~ D=W ~ D<W63	Dry/Wet	10	○

**[41] PHASER1**

No.	Parameter	Value	LCD	MIDI Parameter Number	Controller
1	LFO Frequency	0.0Hz~39.70Hz	Speed	1	○
2	LFO Depth	0~127	Depth	2	○
3	Diffusion	mono/stereo	Diffuse	12	
4	EQ Low Frequency	32Hz~2.0kHz	L.Freq	6	○
5	EQ Low Gain	-12dB~+12dB	L.Gain	7	○
6	EQ High Frequency	500Hz~16.0kHz	H.Freq	8	○
7	EQ High Gain	-12dB~+12dB	H.Gain	9	○
8	Stage	4, 5, 6, 7, 8, 9, 10, 11, 12	Stage	11	○
9	Phase Shift Offset	0~127	PhShift	3	
10	Feedback Level	-63~+63	FBLevel	4	○
11	Dry / Wet Balance	D63>W ~ D=W ~ D<W63	Dry/Wet	10	○

**[42] PHASER2**

No.	Parameter	Value	LCD	MIDI Parameter Number	Controller
1	LFO Frequency	0.0Hz~39.70Hz	Speed	1	○
2	LFO Depth	0~127	Depth	2	○
3	LFO Phase Difference	-180deg~+180deg	Phase	13	○
4	EQ Low Frequency	32Hz~2.0kHz	L.Freq	6	○
5	EQ Low Gain	-12dB~+12dB	L.Gain	7	○
6	EQ High Frequency	500Hz~16.0kHz	H.Freq	8	○
7	EQ High Gain	-12dB~+12dB	H.Gain	9	○
8	Stage	3, 4, 5, 6	Stage	11	○
9	Phase Shift Offset	0~127	PhShift	3	○
10	Feedback Level	-63~+63	FBLevel	4	○
11	Dry / Wet Balance	D63>W ~ D=W ~ D<W63	Dry/Wet	10	○

**[43] TEMPO PHASER**

No.	Parameter	Value	LCD	MIDI Parameter Number	Controller
1	LFO Frequency	5~21	Speed	1	○
2	LFO Depth	0~127	Depth	2	○
3	LFO Phase Difference	-180deg~+180deg	Phase	13	○
4	LFO Phase Reset	off/free run, KeyOn/Reset, SEQ Start/Reset	Reset	5	○
5	EQ Low Frequency	32Hz~2.0kHz	L.Freq	6	○
6	EQ Low Gain	-12dB~+12dB	L.Gain	7	○
7	EQ High Frequency	500Hz~16.0kHz	H.Freq	8	○
8	EQ High Gain	-12dB~+12dB	H.Gain	9	○
9	Stage	3, 4, 5, 6	Stage	11	○
10	Phase Shift Offset	0~127	PhShift	3	○
11	Feedback Level	-63~+63	FBLevel	4	○
12	Dry / Wet Balance	D63>W ~ D=W ~ D<W63	Dry/Wet	10	○

**[44] TREMOLO**

No.	Parameter	Value	LCD	MIDI Parameter Number	Controller
1	LFO Frequency	0.0Hz~39.70Hz	Speed	1	○
2	AM Depth	0~127	AMDepth	2	○
3	PM Depth	0~127	PMDepth	3	○
4	LFO Phase Difference	-180deg~+180deg	Phase	14	○
5	EQ Low Frequency	32Hz~2.0kHz	L.Freq	6	○
6	EQ Low Gain	-12dB~+12dB	L.Gain	7	○
7	EQ High Frequency	500Hz~16.0kHz	H.Freq	8	○
8	EQ High Gain	-12dB~+12dB	H.Gain	9	○
9	EQ Mid Frequency	100Hz~10.0kHz	M.Freq	11	○
10	EQ Mid Gain	-12dB~+12dB	M.Gain	12	○
11	EQ Mid Width	0.1~12.0	M.Width	13	○
12	Input Mode	mono/stereo	Input	15	○

**[45] AUTO PAN**

No.	Parameter	Value	LCD	MIDI Parameter Number	Controller
1	LFO Frequency	0.0Hz~39.70Hz	Speed	1	○
2	L/R Depth	0~127	L/RDpth	2	○
3	F/R Depth	0~127	F/RDpth	3	○
4	PAN Direction	L<R, L>R, L<R, L>R, Rtm, LR(0-5)	Directn	4	○
5	EQ Low Frequency	32Hz~2.0kHz	L.Freq	6	○
6	EQ Low Gain	-12dB~+12dB	L.Gain	7	○
7	EQ High Frequency	500Hz~16.0kHz	H.Freq	8	○
8	EQ High Gain	-12dB~+12dB	H.Gain	9	○
9	EQ Mid Frequency	100Hz~10.0kHz	M.Freq	11	○
10	EQ Mid Gain	-12dB~+12dB	M.Gain	12	○
11	EQ Mid Width	0.1~12.0	M.Width	13	○

**[46] ROTARY SPEAKER1**

No.	Parameter	Value	LCD	MIDI Parameter Number	Controller
1	LFO Frequency	0.0Hz~39.70Hz	Speed	1	○
2	LFO Depth	0~127	Depth	2	○
3	EQ Low Frequency	32Hz~2.0kHz	L.Freq	6	○
4	EQ Low Gain	-12dB~+12dB	L.Gain	7	○
5	EQ High Frequency	500Hz~16.0kHz	H.Freq	8	○
6	EQ High Gain	-12dB~+12dB	H.Gain	9	○
7	EQ Mid Frequency	100Hz~10.0kHz	M.Freq	11	○
8	EQ Mid Gain	-12dB~+12dB	M.Gain	12	○
9	EQ Mid Width	0.1~12.0	M.Width	13	○
10	Dry / Wet Balance	D63>W ~ D=W ~ D<W63	Dry/Wet	10	○

**[47] DISTORTION+ROTARY SPEAKER1**

**[48] OVERDrive+ROTARY SPEAKER1**

No.	Parameter	Value	LCD	MIDI Parameter Number	Controller
1	LFO Frequency	0.0Hz~39.70Hz	Speed	1	○
2	LFO Depth	0 ~ 127	Depth	2	○
3	Dist. Drive	0 ~ 127	Drive	14	○
4	Dist. LPF Cutoff Freq	1.0kHz~18.0kHz, thru	LPF	15	○
5	Dist. Output Level	0 ~ 127	DrivOut	16	○
6	EQ Low Frequency	32Hz~2.0kHz	L.Freq	6	○
7	EQ Low Gain	-12dB~+12dB	L.Gain	7	○
8	EQ High Frequency	500Hz~16.0kHz	H.Freq	8	○
9	EQ High Gain	-12dB~+12dB	H.Gain	9	○

**[49] AMP SIMULATOR+ROTARY SPEAKER1**

No.	Parameter	Value	LCD	MIDI Parameter Number	Controller
1	LFO Frequency	0.0Hz~39.70Hz	Speed	1	○
2	LFO Depth	0 ~ 127	Depth	2	○
3	AMP Type	off, stack, combo, tube	AmpType	3	○
4	AMP Drive	0 ~ 127	Drive	14	○
5	AMP LPF Cutoff Freq	1.0kHz~18.0kHz, thru	LPF	15	○
6	AMP Output Level	0 ~ 127	AmpOut	16	○
7	EQ Low Frequency	32Hz~2.0kHz	L.Freq	6	○
8	EQ Low Gain	-12dB~+12dB	L.Gain	7	○
9	EQ High Frequency	500Hz~16.0kHz	H.Freq	8	○
10	EQ High Gain	-12dB~+12dB	H.Gain	9	○

**[50] ROTARY SPEAKER2**

No.	Parameter	Value	LCD	MIDI Parameter Number	Controller
1	Rotor Speed	0.0Hz~39.70Hz	Speed	1	○
2	Drive Low	0~127	DriveLo	2	○
3	Drive High	0~127	DriveHi	3	○
4	Low / High Balance	L63>H ~ L=H ~ L<H63	Low/Hi	4	○
5	Mic L-R Angle	0deg~180deg	MicAngl	5	○
6	Divide Frequency	100Hz~10.0kHz	CrosOvr	11	○
7	EQ Low Frequency	32Hz~2.0kHz	L.Freq	6	○
8	EQ Low Gain	-12dB~+12dB	L.Gain	7	○
9	EQ High Frequency	500Hz~16.0kHz	H.Freq	8	○
10	EQ High Gain	-12dB~+12dB	H.Gain	9	○

**[51] DISTORTION+ROTARY SPEAKER2**

**[52] OVERDrive+ROTARY SPEAKER2**

No.	Parameter	Value	LCD	MIDI Parameter Number	Controller
1	Rotor Speed	0.0Hz~39.70Hz	Speed	1	○
2	Drive Low	0 ~ 127	DriveLo	2	○
3	Drive High	0 ~ 127	DriveHi	3	○
4	Low/High Balance	L63>H ~ L=H ~ L<H63	Low/Hi	4	○
5	Mic L-R Angle	0deg~180deg	MicAngl	12	○
6	Divide Frequency	100Hz~10.0kHz	CrosOvr	11	○
7	Dist.Drive	0 ~ 127	Drive	14	○
8	Dist. LPF Cutoff Freq	1.0kHz~18.0kHz, thru	LPF	15	○
9	Dist. Output Level	0 ~ 127	DrivOut	16	○
10	EQ Low Frequency	32Hz~2.0kHz	L.Freq	6	○
11	EQ Low Gain	-12dB~+12dB	L.Gain	7	○
12	EQ High Frequency	500Hz~16.0kHz	H.Freq	8	○
13	EQ High Gain	-12dB~+12dB	H.Gain	9	○

**[53] AMP SIM.+ROTARY SPEAKER2**

No.	Parameter	Value	LCD	MIDI Parameter Number	Controller
1	Rotor Speed	0.0Hz~39.70Hz	Speed	1	○
2	Drive Low	0 ~ 127	DriveLo	2	○
3	Drive High	0 ~ 127	DriveHi	3	○
4	Low/High Balance	L63>H ~ L=H ~ L<H63	Low/Hi	4	○
5	Mic L-R Angle	0deg~180deg	MicAngl	12	○
6	Divide Frequency	100Hz~10.0kHz	CrosOvr	11	○
7	AMP Type	off, stack, combo, tube	AmpType	13	○
8	AMP Drive	0 ~ 127	Drive	14	○
9	AMP LPF Cutoff Freq	1.0kHz~18.0kHz, thru	LPF	15	○
10	AMP Output Level	0 ~ 127	AmpOut	16	○
11	EQ Low Frequency	32Hz~2.0kHz	L.Freq	6	○
12	EQ Low Gain	-12dB~+12dB	L.Gain	7	○
13	EQ High Frequency	500Hz~16.0kHz	H.Freq	8	○
14	EQ High Gain	-12dB~+12dB	H.Gain	9	○

**[54] ROTARY SPEAKER3**

**[55] ROTARY SPEAKER4**

No.	Parameter	Value	LCD	MIDI Parameter Number	Controller
1	Speed Control	sLow, fast	Speed	16	○
2	SLOW-Fast Time of R	0-127	Trans:Rotor	5	○
3	SLOW-Fast Time of H	0-127	Trans:Horn	6	○
4	Rotor Speed SLOW	0.0Hz-2.65Hz	Rotor-Slw	1	○
5	Horn Speed SLOW	0.0Hz-2.65Hz	Horn-Slw	2	○
6	Rotor Speed Fast	2.69Hz-39.70Hz	Rotor-Fst	3	○
7	Horn Speed Fast	2.69Hz-39.70Hz	Horn-Fst	4	○
8	Mic L-R Angle	0deg-180deg	MicAngl	15	○
9	Drive Low	0-127	DriveLo	7	○
10	Drive High	0-127	DriveHi	8	○
11	Low/High Balance	L63>H - L=H - L<H63	Low/Hi	9	○
12	EQ Low Frequency	32Hz-2.0kHz	L.Freq	11	○
13	EQ Low Gain	-12dB-+12dB	L.Gain	12	○
14	EQ High Frequency	500Hz-16.0kHz	H.Freq	13	○
15	EQ High Gain	-12dB-+12dB	H.Gain	14	○

**[56] DISTORTION**

No.	Parameter	Value	LCD	MIDI Parameter Number	Controller
1	Drive	0-127	Drive	1	○
2	Edge	0-127	Edge	11	○
3	Output Level	0-127	OutLvl	5	○
4	EQ Low Frequency	32Hz-2.0kHz	L.Freq	2	○
5	EQ Low Gain	-12dB-+12dB	L.Gain	3	○
6	LPF Cutoff Frequency	1.0kHz-20.0kHz	LPF	4	○
7	EQ Mid Frequency	100Hz-10.0kHz	M.Freq	7	○
8	EQ Mid Gain	-12dB-+12dB	M.Gain	8	○
9	EQ Mid Width	0.1-12.0	M.Width	9	○
10	Dry / Wet Balance	D63>W - D=W - D<W63	Dry/Wet	10	○

**[57] COMP DISTORTION**

No.	Parameter	Value	LCD	MIDI Parameter Number	Controller
1	Attack	1ms-40ms	Attack	12	○
2	Release	10ms-680ms	Release	13	○
3	Threshold	-48dB--6dB	Thrsld	14	○
4	Ratio	1-20.0	Ratio	15	○
5	EQ Low Frequency	32Hz-2.0kHz	L.Freq	2	○
6	EQ Low Gain	-12dB-+12dB	L.Gain	3	○
7	Drive	0-127	Drive	1	○
8	Output Level	0-127	OutLvl	5	○
9	EQ Mid Frequency	100Hz-10.0kHz	M.Freq	7	○
10	EQ Mid Gain	-12dB-+12dB	M.Gain	8	○
11	EQ Mid Width	0.1-12.0	M.Width	9	○
12	Edge	0-127	Edge	11	○
13	LPF Cutoff Frequency	1.0kHz-20.0kHz	LPF	4	○
14	Dry / Wet Balance	D63>W - D=W - D<W63	Dry/Wet	10	○

**[58] V-DISTORTION**

No.	Parameter	Value	LCD	MIDI Parameter Number	Controller
1	Over Drive	0 - 100%	OverDr	1	○
2	Device	Transster, Vintage Tube, Distortion1, Distortion2, Fuzz	Device	2	○
3	Speaker Type	Flat, Stack, Combo, Twin, Radio, Megaphone	Speaker	3	○
4	Presence	-10 - 10	Presenc	4	○
5	Delay Time L	0.1ms-1486.0ms	DelayL	6	○
6	Delay Time R	0.1ms-1486.0ms	DelayR	7	○
7	Feedback Time	0.1ms-1486.0ms	FBTime	8	○
8	Feedback Level	-63-+63	FBLevel	9	○
9	Feedback High Damp	0.1-1.0	FBHiDmp	12	○
10	Output Level	0 - 100%	DistLvl	5	○
11	Delay Mix	0 - 127	DlyMix	11	○
12	Dry/Wet Balance	D63>W - D=W - D<W63	Dry/Wet	10	○

**[59] OVERDRIVE**

No.	Parameter	Value	LCD	MIDI Parameter Number	Controller
1	Drive	0-127	Drive	1	○
2	Edge	0-127	Edge	11	○
3	Output Level	0-127	OutLvl	5	○
4	EQ Low Frequency	32Hz-2.0kHz	L.Freq	2	○
5	EQ Low Gain	-12dB-+12dB	L.Gain	3	○
6	LPF Cutoff Frequency	1.0kHz-20.0kHz	LPF	4	○
7	EQ Mid Frequency	100Hz-10.0kHz	M.Freq	7	○
8	EQ Mid Gain	-12dB-+12dB	M.Gain	8	○
9	EQ Mid Width	0.1-12.0	M.Width	9	○
10	Dry / Wet Balance	D63>W - D=W - D<W63	Dry/Wet	10	○

**[60] AMP SIMULATOR**

No.	Parameter	Value	LCD	MIDI Parameter Number	Controller
1	AMP Type	off, stack, combo, tube	AmpType	2	○
2	Drive	0-127	Drive	1	○
3	Edge	0-127	Edge	11	○
4	Output Level	0-127	OutLvl	4	○
5	LPF Cutoff Frequency	1.0kHz-20.0kHz	LPF	3	○
6	Dry / Wet Balance	D63>W - D=W - D<W63	Dry/Wet	10	○

**[61] DIST+DELAY**

**[62] OVERDRIVE+DELAY**

No.	Parameter	Value	LCD	MIDI Parameter Number	Controller
1	Dist. Drive	0-127	Drive	6	○
2	Dist. EQ Low Gain	-12dB-+12dB	EQ-Low	8	○
3	Dist. EQ Mid Gain	-12dB-+2dB	EQ-Mid	9	○
4	Dist Output Level	0-127	DrivOut	7	○
5	Delay Time L	0.1ms-1486.0ms	DelayL	1	○
6	Delay Time R	0.1ms-1486.0ms	DelayR	2	○
7	Delay Feedback Time	0.1ms-1486.0ms	FBTime	3	○
8	Delay Feedback Leve	-63-+63	FBLevel	4	○
9	Delay mix	0-127	DlyMix	5	○
10	Dry / Wet Balance	D63>W - D=W - D<W63	Dry/Wet	10	○

**[63] COMPRESSOR1**

No.	Parameter	Value	LCD	MIDI Parameter Number	Controller
1	Attack	1ms-40ms	Attack	1	○
2	Release	10ms-680ms	Release	2	○
3	Threshold	-48dB--6dB	Thrsld	3	○
4	Ratio	1-20.0	Ratio	4	○
5	Output Level	0-127	OutLvl	5	○

**[64] NOISE GATE**

No.	Parameter	Value	LCD	MIDI Parameter Number	Controller
1	Attack	1ms-40ms	Attack	1	○
2	Release	10ms-680ms	Release	2	○
3	Threshold	-72dB--30dB	Thrsld	3	○
4	Output Level	0-127	OutLvl	4	○

**[65] COMP+DIST+DELAY**

**[66] COMP+ODRV+DELAY**

No.	Parameter	Value	LCD	MIDI Parameter Number	Controller
1	Comp. Attack	1ms-40ms	Attack	11	○
2	Comp. Release	10ms-680ms	Release	12	○
3	Comp. Threshold	-48dB--6dB	Thrsld	13	○
4	Comp. Ratio	1-20.0	Ratio	14	○
5	Dist. Drive	0-127	Drive	4	○
6	Dist. EQ Low Gain	-12dB-+12dB	EQ-Low	6	○
7	Dist. EQ Mid Gain	-12dB-+12dB	EQ-Mid	7	○
8	Dist Output Level	0-127	DrivOut	5	○
9	Delay Time	0.1ms-1486.0ms	DlyTime	1	○
10	Delay Feedback Level	-63-+63	FBLevel	2	○
11	Delay Mix	0-127	DlyMix	3	○
12	Dry / Wet Balance	D63>W - D=W - D<W63	Dry/Wet	10	○

**[67] PITCH CHANGE1**

**[68] PITCH CHANGE2**

No.	Parameter	Value	LCD	MIDI Parameter Number	Controller
1	Pitch	-24-+24	Pitch	1	○
2	Initial Delay	0.1ms-248.9ms	InitDly	2	○
3	Feedback Level	-63-+63	FBLevel	5	○
4	Dry / Wet Balance	D63>W - D=W - D<W63	Dry/Wet	10	○
5	Fine1	-50-+50	Fine1	3	○
6	Fine2	-50-+50	Fine2	4	○
7	Pan1	L63-C-R63	Pan1	11	○
8	Output Level1	0-127	OutLvl1	12	○
9	Pan2	L63-C-R63	Pan2	13	○
10	Output Level2	0-127	OutLvl2	14	○

In [68] PITCH CHANGE 2, the unit of Fine 1 and Fine 2 (numbers 5 and 6) is cent.

**[69] AUTO WAH**

No.	Parameter	Value	LCD	MIDI Parameter Number	Controller
1	LFO Frequency	0.0Hz-39.70Hz	Speed	1	○
2	LFO Depth	0-127	Depth	2	○
3	Cutoff Frequency Offset	0-127	Cutoff	3	○
4	Resonance	1-12.0	Reso	4	○
5	EQ Low Frequency	32Hz-2.0kHz	L.Freq	6	○
6	EQ Low Gain	-12dB-+12dB	L.Gain	7	○
7	EQ High Frequency	500Hz-16.0kHz	H.Freq	8	○
8	EQ High Gain	-12dB-+12dB	H.Gain	9	○
9	Dry / Wet Balance	D63>W - D=W - D<W63	Dry/Wet	10	○

**[70] AUTO WAH + DIST****[71] AUTO WAH + OVERDRIVE**

No.	Parameter	Value	LCD	MIDI Parameter Number	Controller
1	LFO Frequency	0.0Hz~39.70Hz	Speed	1	○
2	LFO Depth	0~127	Depth	2	○
3	Cutoff Frequency Offset	0~127	Cutoff	3	○
4	Resonance	1~12.0	Reso	4	○
5	EQ Low Frequency	32Hz~2.0kHz	L.Freq	6	○
6	EQ Low Gain	-12dB~+12dB	L.Gain	7	○
7	EQ High Frequency	500Hz~16.0kHz	H.Freq	8	○
8	EQ High Gain	-12dB~+12dB	H.Gain	9	○
9	Dist Low Gain	-12dB~+12dB	Drive:EQ-Low	12	○
10	Dist Mid Gain	-12dB~+12dB	Drive:EQ-Mid	13	○
11	LPF Cutoff Frequency	1.0kHz~20.0kHz	LPF	14	○
12	Drive	0~127	Drive	11	○
13	Output Level	0~127	DrivOut	15	○
14	Dry / Wet Balance	D63>W - D=W - D<W63	Dry/Wet	10	○

**[72] TOUCH WAH**

No.	Parameter	Value	LCD	MIDI Parameter Number	Controller
1	Sensitive	0~127	Sens	1	○
2	Cutoff Frequency Offset	0~127	Cutoff	2	○
3	Resonance	1~12.0	Reso	3	○
4	EQ Low Frequency	32Hz~12.0kHz	L.Freq	6	○
5	EQ Low Gain	-12dB~+12dB	L.Gain	7	○
6	EQ High Frequency	500Hz~16.0kHz	H.Freq	8	○
7	EQ High Gain	-12dB~+12dB	H.Gain	9	○
8	Dry / Wet Balance	D63>W - D=W - D<W63	Dry/Wet	10	○

**[73] TOUCH WAH + DIST****[74] TOUCH WAH + OVERDRIVE**

No.	Parameter	Value	LCD	MIDI Parameter Number	Controller
1	Sensitive	0~127	Sens	1	○
2	Cutoff Frequency Offset	0~127	Cutoff	2	○
3	Resonance	1~12.0	Reso	3	○
4	EQ Low Frequency	32Hz~2.0kHz	L.Freq	6	○
5	EQ Low Gain	-12dB~+12dB	L.Gain	7	○
6	EQ High Frequency	500Hz~16.0kHz	H.Freq	8	○
7	EQ High Gain	-12dB~+12dB	H.Gain	9	○
8	Dist Low Gain	-12dB~+12dB	Drive:EQ-Low	12	○
9	Dist Mid Gain	-12dB~+12dB	Drive:EQ-Mid	13	○
10	LPF Cutoff Frequency	1.0kHz~20.0kHz	LPF	14	○
11	Drive	0~127	Drive	11	○
12	Output Level	0~127	DrivOut	15	○
13	Dry / Wet Balance	D63>W - D=W - D<W63	Dry/Wet	10	○

**[75] WAH + DIST + DELAY****[76] WAH + OVERDRIVE + DELAY**

No.	Parameter	Value	LCD	MIDI Parameter Number	Controller
1	Wah sensitive	0~127	WahSens	11	○
2	Wah Cutoff Frequency	0~127	Cutoff	12	○
3	Wah Resonance	1~12.0	Reso	13	○
4	Wah release	10ms~680ms	Release	14	○
5	Dist. Drive	0~127	Drive	4	○
6	Dist. EQ Low Gain	-12dB~+12dB	EQ-Low	6	○
7	Dist. EQ Mid Gain	-12dB~+12dB	EQ-Mid	7	○
8	Dist Output Level	0~127	DrivOut	5	○
9	Delay Time	0.1ms~1486.0ms	Delay	1	○
10	Delay Feedback Level	-63~+63	FBLevel	2	○
11	Delay mix	0~127	DlyMix	3	○
12	Dry / Wet Balance	D63>W - D=W - D<W63	Dry/Wet	10	○

**[77] LO-FI**

No.	Parameter	Value	LCD	MIDI Parameter Number	Controller
1	Sampling Freq. Control	44.1kHz~344Hz	SmplFrq	1	○
2	Word Length	1~127	WordLen	2	○
3	Output Gain	-6dB~+36dB	OutGain	3	○
4	Filter Type	thru, PowerBass, Radio, Telephone, Clean, Low	FltType	5	○
5	Pre-LPF Cutoff Frequency	63Hz~20.0kHz	Cutoff	4	○
6	Pre-LPF Resonance	1~12.0	Reso	6	○
7	Bit Assign	0~6	BitAsgn	7	○
8	Emphasis	off/on	Emphasi	8	○
9	Input Mode	mono/stereo	Input	15	○
10	Dry / Wet Balance	D63>W - D=W - D<W63	Dry/Wet	10	○

**[78] LOW RESOLUTION**

No.	Parameter	Value	LCD	MIDI Parameter Number	Controller
1	Mod Depth	0~127	ModDpth	1	○
2	Mod Delay Offset	1~127	ModDly	2	○
3	Mod Mix Balance	0~127	ModMix	5	○
4	Resolution	1,1/2~1/128	Resoltn	4	○
5	Mod Feedback	-63~+63	ModFB	3	○
6	Phase Inverse R	off, wet, wet+dry	PhasInrv	6	○
7	Dry/Wet Balance	D63>W - D=W - D<W63	Dry/Wet	7	○

**[79] NOISY**

No.	Parameter	Value	LCD	MIDI Parameter Number	Controller
1	Mod Depth	0~10	ModDpth	2	○
2	Mod Speed	0~127	ModSpd	3	○
3	Mod Feedback	-63~+63	ModFB	4	○
4	Mod Mix Balance	1~127	ModMix	7	○
5	Drive	0~127	Drive	1	○
6	AM Speed	0.00Hz~39.7Hz	AMSpeed	5	○
7	AM Depth	0~127	AMDepth	6	○
8	LPF Frequency	1.0kHz~20.0kHz	Cutoff	8	○
9	LPF Resonance	1.0~12.0	Reso	9	○
10	EQ Frequency	100Hz~10.0kHz	EQFreq	10	○
11	EQ Gain	-12~+12dB	EQGain	11	○
12	EQ Width	1.0~12.0	EQWidth	12	○
13	Dry/Wet Balance	D63>W - D=W - D<W63	Dry/Wet	13	○

**[80] ATTACK LOFI**

No.	Parameter	Value	LCD	MIDI Parameter Number	Controller
1	Sensitive	0~127	Sens	1	○
2	Resolution	1,1/2~1/32	Resoltn	2	○
3	Peak Frequency	100Hz~10.0kHz	PeakFrq	3	○
4	LPF Frequency	1.0kHz~20.0kHz	LPF	4	○
5	Flanger Speed	0.00Hz~39.7Hz	FlgSpd	5	○
6	Flanger LFO Wave	tri, sine, saw up, saw down	FlgWave	6	○
7	Flanger Depth	0~127	FlgDpt	7	○
8	Fln Depth Ofst R	-63~+63	FlgDptR	8	○
9	Flanger Delay	0.1~650.0ms	FlgDly	9	○
10	Fln Delay Ofst R	0~884	FlgDlyR	10	○
11	Flanger Feedback	-63~+63	Flg FB	11	○
12	Flanger FB Ofst R	-63~+63	FlgFB R	12	○
13	Flanger FB HiDamp	0.1~1.0	FBHiDmp	13	○
14	Fln HiDamp Ofst R	-0.9~+0.9	FBHiDmR	14	○
15	Fln Mix Balance	1~127	FlgMix	15	○
16	Dry/Wet Balance	D63>W - D=W - D<W63	Dry/Wet	16	○

**[81] DIGITAL TURNTABLE**

No.	Parameter	Value	LCD	MIDI Parameter Number	Controller
1	Click Density	0~5	Density	1	○
2	Click Level	0~127	Click	2	○
3	Noise Tone	0~6	NoisTon	3	○
4	Dry Send to Noise	0~127	DryNois	6	○
5	Noise Mod Speed	0.00Hz~39.7Hz	ModSpd	4	○
6	Noise Mod Depth	0~127	ModDpth	5	○
7	Noise LPF Freq	1.0kHz~20.0kHz	NoisLPF	7	○
8	Noise LPF Q	1.0~12.0	NoiseQ	8	○
9	Noise Level	0~127	NoisLvl	9	○
10	Dry LPF Frequency	1.0kHz~20.0kHz	DryLPF	10	○
11	Dry Level	0~127	DryLvl	11	○

**[82] DIGITAL SCRATCH**

No.	Parameter	Value	LCD	MIDI Parameter Number	Controller
1	Input Level	0~127	Input	1	○
2	Initial Delay	0.1~460.0ms	Delay	2	○
3	Scratch Speed	1~127	ScrSpd	3	○
4	Scratch Depth	0~127	ScrDpth	4	○
5	HPF Frequency	20Hz~8.0kHz	HPF	10	○
6	Auto Pan Speed	0.00Hz~39.7Hz	PanSpd	5	○
7	Auto Pan Depth	0~127	PanDpth	6	○
8	EQ Frequency	100Hz~10.0kHz	EQFreq	7	○
9	EQ Gain	-12~+12dB	EQGain	8	○
10	EQ Width	1.0~12.0	EQWidth	9	○
11	Dry/Wet Balance	D63>W - D=W - D<W63	Dry/Wet	11	○

**[83] AUTO SYNTH**

No.	Parameter	Value	LCD	MIDI Parameter Number	Controller
1	Mod Speed	0~127	ModSpd	1	○
2	Mod Wave Type	TypeA, TypeB, TypeC, TypeD	ModWave	2	○
3	Mod Depth	0~127	ModDpth	3	○
4	Mod Depth Ofst R	-63~+63	ModDpth-R Ofst	4	○
5	HPF Frequency	20Hz~8.0kHz	HPF	6	○
6	LPF Frequency	1.0kHz~20.0kHz	LPF	5	○
7	Dry Mix Level	0~127	DryMix	7	○
8	Delay Level	0~127	DlyLvl	12	○
9	Delay Time	0.1~370.0ms	Delay	8	○
10	Delay Time Ofst R	0~884	Delay-R Ofst	9	○
11	Feedback Level	-63~+63	FBLevel	10	○
12	FB Level Ofst R	-63~+63	FBLevel-R Ofst	11	○
13	AM Speed	0.00Hz~39.7Hz	AMSpeed	13	○
14	AM Wave	tri, sine, saw up, saw down	AM Wave	14	○
15	AM Depth	0~127	AMDepth	15	○
16	AM Inverse R	normal, inverse	AM InvR	16	○

**[84] TECH MODULATION**

No.	Parameter	Value	LCD	MIDI Parameter Number	Controller
1	Mod Speed	0~127	Speed	1	○
2	Mod Depth	0~127	Depth	2	○
3	Mod Gain	-12~+12dB	Gain	4	○
4	Mod Mix Balance	D63>W ~ D=W ~ D<W63	ModMix	7	○
5	Pre Mod HPF Freq	20Hz~8.0kHz	HPF	3	○
6	Mod LPF Frequency	1.0kHz~20.0kHz	LPF:Cutoff	5	○
7	Mod LPF Resonance	1.0~12.0	LPF:Reso	6	○
8	Delay Time	0.1~740.0ms	Delay	8	○
9	Delay Time Ofst R	0~884	Delay-R Ofst	9	○
10	Feedback Level	-63~+63	FBLevel	10	○
11	FB Level Ofst R	-63~+63	FBLevel-R Ofst	11	○
12	Feedback Hi Damp	0.1~1.0	FBHiDmp	12	○
13	FB Hi Damp Ofst R	0.9~+0.9	FBHiDmp-R Ofst	13	○
14	Dry/Wet Balance	D63>W ~ D=W ~ D<W63	Dry/Wet	14	○

**[85] JUMP**

No.	Parameter	Value	LCD	MIDI Parameter Number	Controller
1	Depth	0~127	Depth	1	○
2	Speed	0~127	Speed	2	○
3	Direction	L<>R,L>>R	Directn	3	○
4	Type	TypeA,TypeB,TypeC	Type	4	○
5	Jump Wave Type	TypeA, TypeB, TypeC, TypeD	JumpWave	5	○
6	Resolution	1,1/2~1/256	Resolution	6	○
7	HPF Frequency	20Hz~8.0kHz	HPF	8	○
8	LPF Frequency	1.0kHz~20.0kHz	LPF	7	○
9	Dry/Wet Balance	D63>W ~ D=W ~ D<W63	Dry/Wet	9	○

**[86] 2BAND EQ**

No.	Parameter	Value	LCD	MIDI Parameter Number	Controller
1	EQ Low Frequency	32Hz~2.0kHz	L.Freq	1	○
2	EQ Low Gain	-12dB~+12dB	L.Gain	2	○
3	EQ High Frequency	500Hz~16.0kHz	H.Freq	3	○
4	EQ High Gain	-12dB~+12dB	H.Gain	4	○

**[87] 3BAND EQ**

No.	Parameter	Value	LCD	MIDI Parameter Number	Controller
1	EQ Low Frequency	50Hz~2.0kHz	L.Freq	6	○
2	EQ Low Gain	-12dB~+12dB	L.Gain	1	○
3	EQ High Frequency	500Hz~16.0kHz	H.Freq	7	○
4	EQ High Gain	-12dB~+12dB	H.Gain	5	○
5	EQ Mid Frequency	100Hz~10.0kHz	M.Freq	2	○
6	EQ Mid Gain	-12dB~+12dB	M.Gain	3	○
7	EQ Mid Width	0.1~12.0	M.Width	4	○
8	Input Mode	mono/stereo	Input	15	○

**[88] HARMONIC ENHANCER**

No.	Parameter	Value	LCD	MIDI Parameter Number	Controller
1	HPF Cutoff Frequency	500Hz~16.0kHz	HPF	1	○
2	Drive	0~127	Drive	2	○
3	Mix Level	0~127	MixLvl	3	○

**[89] VOICE CANCELAR**

No.	Parameter	Value	LCD	MIDI Parameter Number	Controller
1	Low Adjust	0~26	LowAdj	11	○
2	High Adjust	0~26	HighAdj	12	○

**[90] AMBIENCE**

No.	Parameter	Value	LCD	MIDI Parameter Number	Controller
1	Delay Time	0.0ms~50.0ms	DlyTime	1	○
2	Wet Output Phase	normal/inverse	WetPhase	2	○
3	Dry / Wet Balance	D63>W ~ D=W ~ D<W63	Dry/Wet	10	○
4	EQ Low Frequency	32Hz~2.0kHz	L.Freq	6	○
5	EQ Low Gain	-12dB~+12dB	L.Gain	7	○
6	EQ High Frequency	500Hz~16.0kHz	H.Freq	8	○
7	EQ High Gain	-12dB~+12dB	H.Gain	9	○

**[91] TALKING MODULATOR**

No.	Parameter	Value	LCD	MIDI Parameter Number	Controller
1	Vowel	a/i/u/e/o	Vowel	1	○
2	Move Speed	1~ 62	Speed	2	○
3	Drive	0~127	Drive	3	○
4	Output Level	0~127	OutLvl	4	○

**[92] BEAT CHANGE**

No.	Parameter	Value	LCD	MIDI Parameter Number	Controller
1	Beat Change	-63~+63	BeatChg	1	○
2	Beat Range	0~12	BeatRng	2	○
3	Pitch Change	-63~+63	PchChg	3	○
4	Pitch Range	0~12	PchRng	4	○
5	EQ Frequency	32Hz~2.0kHz	EQFreq	6	○
6	EQ Gain	-12dB~+12dB	EQGain	7	○
7	EQ Width	1.0~12.0	EQWidth	8	○
8	Accuracy Type	sound4~normal~rythm4	AccType	5	○
9	Dry/Wet Balance	D63>W ~ D=W ~ D<W63	Dry/Wet	10	○

# About MIDI

**MIDI is an acronym that stands for Musical Instrument Digital Interface, which allows electronic musical instruments to “communicate” with each other, by sending and receiving compatible Note, Control Change, Program Change and various other types of MIDI data, or messages. The CS6x/CS6R can control a MIDI device by transmitting note related data and various types of controller data. The CS6x/CS6R can be controlled by the incoming MIDI messages which automatically select MIDI channels, voices and effects, change parameter values, and of course play the voices specified for the various Parts in a Performance.**

## MIDI Messages Transmitted/Received by the CS6x/CS6R

The MIDI messages can be divided into two groups: the Channel Messages and System Messages. Below is a brief explanation of the various types of MIDI messages which the CS6x/CS6R can receive/transmit.

### CHANNEL MESSAGES

The Channel Messages are the data related to the performance on the keyboard for the specific channel.

#### •Note On/Note Off (Key On/Key Off)

Messages which are generated when the keyboard is played. Each message includes a specific note number which corresponds to the key which is pressed, plus a velocity value based on how hard the key is struck.

#### •Control Change

Control Change messages let you select a voice bank (Bank Select), control volume, panning, modulation, portamento time, brightness and various other controller parameters, through specific Control Change numbers which correspond to each of the various parameters.

#### •Program Change

Messages which voice to select for each Part. With a combination of Bank Select, you can select not only basic voice numbers, but also variation voice bank numbers.

#### •Channel Aftertouch

Messages which let you control the sounds by the pressure you apply to the keys after the initial striking of the keys, over the entire channel.

#### •Polyphonic Key Pressure

Messages which let you control the sounds by the pressure you apply to the keys after the initial striking of the keys, for each individual key. The internal sequencer (CS6x/CS6R) can send this message.

#### •Pitch Bend

Pitch Bend messages are continuous controller messages that allow the pitch of designated notes to be raised or lowered by a specified amount over a specified duration.

### SYSTEM MESSAGES

The System Messages are the data related to the overall system of the device.

#### •Exclusive Messages

Exclusive messages control various functions of the CS6x/CS6R, including bulk dump, master volume and master tuning, effect type and various other parameters.

#### •Realtime Messages

Messages which control the sequencer including Start, Stop, Continue, MIDI clock and Active Sensing messages.

#### •Common Messages

Messages which also control the sequencer including Song Select and Song Position Pointer messages.

# MIDI Data Format

Many MIDI messages listed in the MIDI Data Format section are expressed in hexadecimal or binary numbers. Hexadecimal numbers may include the letter “H” as a suffix. The letter “n” indicates a certain whole number.

The chart below lists the corresponding decimal number for each hexadecimal/binary number.

Decimal	Hexadecimal	Binary
0	00	0000 0000
1	01	0000 0001
2	02	0000 0010
3	03	0000 0011
4	04	0000 0100
5	05	0000 0101
6	06	0000 0110
7	07	0000 0111
8	08	0000 1000
9	09	0000 1001
10	0A	0000 1010
11	0B	0000 1011
12	0C	0000 1100
13	0D	0000 1101
14	0E	0000 1110
15	0F	0000 1111
16	10	0001 0000
17	11	0001 0001
18	12	0001 0010
19	13	0001 0011
20	14	0001 0100
21	15	0001 0101
22	16	0001 0110
23	17	0001 0111
24	18	0001 1000
25	19	0001 1001
26	1A	0001 1010
27	1B	0001 1011
28	1C	0001 1100
29	1D	0001 1101
30	1E	0001 1110
31	1F	0001 1111
32	20	0010 0000
33	21	0010 0001
34	22	0010 0010
35	23	0010 0011
36	24	0010 0100
37	25	0010 0101
38	26	0010 0110
39	27	0010 0111
40	28	0010 1000
41	29	0010 1001
42	2A	0010 1010
43	2B	0010 1011
44	2C	0010 1100
45	2D	0010 1101
46	2E	0010 1110
47	2F	0010 1111
48	30	0011 0000
49	31	0011 0001
50	32	0011 0010
51	33	0011 0011
52	34	0011 0100
53	35	0011 0101
54	36	0011 0110
55	37	0011 0111
56	38	0011 1000
57	39	0011 1001
58	3A	0011 1010
59	3B	0011 1011
60	3C	0011 1100
61	3D	0011 1101
62	3E	0011 1110
63	3F	0011 1111

Decimal	Hexadecimal	Binary
64	40	0100 0000
65	41	0100 0001
66	42	0100 0010
67	43	0100 0011
68	44	0100 0100
69	45	0100 0101
70	46	0100 0110
71	47	0100 0111
72	48	0100 1000
73	49	0100 1001
74	4A	0100 1010
75	4B	0100 1011
76	4C	0100 1100
77	4D	0100 1101
78	4E	0100 1110
79	4F	0100 1111
80	50	0101 0000
81	51	0101 0001
82	52	0101 0010
83	53	0101 0011
84	54	0101 0100
85	55	0101 0101
86	56	0101 0110
87	57	0101 0111
88	58	0101 1000
89	59	0101 1001
90	5A	0101 1010
91	5B	0101 1011
92	5C	0101 1100
93	5D	0101 1101
94	5E	0101 1110
95	5F	0101 1111
96	60	0110 0000
97	61	0110 0001
98	62	0110 0010
99	63	0110 0011
100	64	0110 0100
101	65	0110 0101
102	66	0110 0110
103	67	0110 0111
104	68	0110 1000
105	69	0110 1001
106	6A	0110 1010
107	6B	0110 1011
108	6C	0110 1100
109	6D	0110 1101
110	6E	0110 1110
111	6F	0110 1111
112	70	0111 0000
113	71	0111 0001
114	72	0111 0010
115	73	0111 0011
116	74	0111 0100
117	75	0111 0101
118	76	0111 0110
119	77	0111 0111
120	78	0111 1000
121	79	0111 1001
122	7A	0111 1010
123	7B	0111 1011
124	7C	0111 1100
125	7D	0111 1101
126	7E	0111 1110
127	7F	0111 1111

### Additional Notes

- For example, 144 - 159(Decimal)/9nH/1001 0000 - 1001 1111(Binary) indicate the note-on messages for the channels 1 through 16 respectively. 176 - 191/BnH/1011 0000 - 1011 1111 indicate the control change messages for the channels 1 through 16 respectively. 192 - 207/CnH/1100 0000 - 1100 1111 indicate the program change messages for the channels 1 through 16 respectively. 240/F0H/1111 0000 is positioned at the beginning of data to indicate a system exclusive message. 247/F7H/1111 0111 is positioned at the end of the system exclusive message.
- aaH(Hexadecimal)/0aaaaaaa(Binary) indicates the data addresses. The data address consists of High, Mid and Low.
- bbH/0bbbbbbb indicates byte counts.
- ccH/0ccccccc indicates tcheck sums.
- ddH/0ddddddd indicates data/value.

# SYNTHESIZER/SEQUENCER PART

## 1) TRANSMIT FLOW

MIDI <-[SW1] +---	NOTE ON/OFF	9nH	
OUT			
+---	CONTROL CHANGE		
	MODULATION	BnH,01H	
	PORTAMENTO TIME	BnH,05H	(CS6x only)
	PAN	BnH,0AH	(CS6x only)
	SUSTAIN SWITCH	BnH,40H	
	PORTAMENTO SWITCH	BnH,41H	(CS6x only)
	FILTER RESONANCE	BnH,47H	(CS6x only)
	EG RELEASE TIME	BnH,48H	(CS6x only)
	EG ATTACK TIME	BnH,49H	(CS6x only)
	FILTER CUTOFF FREQ	BnH,4AH	(CS6x only)
	EG DECAY TIME	BnH,4BH	(CS6x only)
	REVERB SEND	BnH,5BH	(CS6x only)
	CHORUS SEND	BnH,5DH	(CS6x only)
	ASSIGNABLE CONTROLLER	BnH,(00H .. 5FH)	
	FOOT VOLUME	BnH,(07H or 0BH)	
+-[SW8]--	BANK SEL MSB	BnH,00H	
	BANK SEL LSB	BnH,20H	
-[SW2]--	EG SUSTAIN LEVEL	BnH,1FH	(CS6x only)
+---	PROGRAM CHANGE	CnH	
+---	CHANNEL AFTER TOUCH	DnH	
+---	PITCH BEND CHANGE	EnH	
-[SW3,4]--	SYSTEM REALTIME MESSAGE		
	TIMING CLOCK	F8H	
-[SW4]----	SYSTEM REALTIME MESSAGE		
	START	FAH	
	CONTINUE	FBH	
	STOP	FCH	
+ [SW5] +---	SYSTEM EXCLUSIVE MESSAGE		
	-[SW6]--SAMPLE DUMP STANDARD		
	DUMP REQUEST	FOH 7EH nnH 03H ssH ssH F7H	
	ACK	FOH 7EH nnH 7FH ppH F7H	
	NAK	FOH 7EH nnH 7EH ppH F7H	
	CANCEL	FOH 7EH nnH 7DH ppH F7H	
	WAIT	FOH 7EH nnH 7CH ppH F7H	
	-[SW7]--<BULK DUMP>	FOH 43H 0nH 64H bhH blH ahH amH alH ddH....ddH ccH F7H	
	-[SW7]--<PARAMETER CHANGE>	FOH 43H 1nH 64H ahH amH alH ddH....ddH F7H	
-----	SYSTEM EXCLUSIVE MESSAGE		
	IDENTITY REPLY	FOH 7EH 7FH 06H 02H 43H 00H 41H 2DH 02H 00H 00H 01H F7H	
-----	ACTIVE SENSING	FEH	

- [SW1] MIDI Transmit Channel  
Master Keyboard Mode = on: complies with Zone Transmit Channel.  
Master Keyboard Mode = off: complies with Keyboard Transmit Channel.  
The data played back using Sequencer Part will be output through the channels set for the sequence data, ignoring [SW1] settings.  
CS6R transmits BC and A-C/1-2 of ASSIGNABLE CONTROLLER, and the data from the Sequencer Part. [SW2] MIDI Control Mode
- [SW3] MIDI Sync
- [SW4] MIDI Control
- [SW5] MIDI Device Number  
When set to all, data will be output through the channel 1.
- [SW6] PHRASE CLIP MODE JOB only. Not available on S80.
- [SW7] In the VOICE MODE, VOICE related data only. In the PERFORMANCE MODE, PERFORMANCE related data only.  
SYSTEM data will be transmitted/received in all modes.
- [SW8] SYSTEM Bank Select Switch

## 2) RECEIVE FLOW

MIDI >-[SW11] +---	NOTE OFF	8nH	
	+---	NOTE ON/OFF	9nH
	+---	CONTROL CHANGE	
	MODULATION	BnH,01H	
	PORTAMENTO TIME	BnH,05H	
	DATA ENTRY MSB	BnH,06	
	DATA ENTRY LSB	BnH,26H	
	MAIN VOLUME	BnH,07H	
	PAN	BnH,0AH	
	EXPRESSION	BnH,0BH	
	SUSTAIN SWITCH	BnH,40H	
	PORTAMENTO SWITCH	BnH,41H	
	SOSTENUTO	BnH,42H	
	HARMONIC CONTENT	BnH,47H	
	EG RELEASE TIME	BnH,48H	
	EG ATTACK TIME	BnH,49H	
	BRIGHTNESS	BnH,4AH	
	EG DECAY TIME	BnH,4BH	
	EFFECT1 DEPTH	BnH,5BH	
	EFFECT3 DEPTH	BnH,5DH	
	DATA ENTRY INC	BnH,60H	
	DATA ENTRY DEC	BnH,61H	
	ASSIGNABLE CONTROLLER	BnH,(00H .. 5FH)	
	RPN		
	PITCH BEND SENS	BnH,64H,00H,65H,00H,06H,mmH	
	FINE TUNING	BnH,64H,01H,65H,00H,06H,mmH,26H,11H	*1
	COARSE TUNING	BnH,64H,02H,65H,00H,06H,mmH	*1
	RPN RESET	BnH,64H,7FH,65H,7FH	
	ALL SOUND OFF	BnH,78H	
	RESET ALL CONTROLLERS	BnH,79H	
	ALL NOTE OFF	BnH,7BH	
	OMNI MODE OFF	BnH,7CH	
	OMNI MODE ON	BnH,7DH	
	MONO MODE	BnH,7EH	
	POLY MODE	BnH,7FH	
	+-[SW2]--	EG SUSTAIN LEVEL	BnH,1FH
	+-[SW8]--	BANK SEL MSB	BnH,00H
		BANK SEL LSB	BnH,20H
	+-[SW9]--	PROGRAM CHANGE	CnH
	+-----	CHANNEL AFTER TOUCH	DnH
	+-----	PITCH BEND CHANGE	EnH
	+-----	SYSTEM EXCLUSIVE MESSAGE	
	IDENTITY REQUEST	FOH 7EH 0nH 06H 01H F7H	
	REMOTE SWITCH	FOH 43H 10H 64H 0AH 00H alH ddH F7H	
	+-[SW12]--	GM MODE ON	FOH 7EH 7FH 09H 01H F7H
+ [SW5] +	SYSTEM EXCLUSIVE MESSAGE		
	MIDI MASTER VOLUME	FOH 7FH 7FH 04H 01H 11H mmH F7H	
	+-[SW6]--SAMPLE DUMP STANDARD		
	DUMP HEADER	FOH 7EH nnH 01H ssH ssH ddH....ddH F7H	
	DATA PACKET	FOH 7EH nnH 02H kkH ddH....ddH ccH F7H	
	CANCEL	FOH 7EH nnH 7DH ppH F7H	
	+-[SW10]--<BULK DUMP>	FOH 43H 0nH 64H bhH blH ahH amH alH ddH....ddH ccH F7H	
	+-[SW7]--<PARAMETER CHANGE>	FOH 43H 1nH 64H ahH amH alH ddH....ddH F7H	
	+-[SW7]--<BULK DUMP REQUEST>	FOH 43H 2nH 64H ahH amH alH ddH....ddH F7H	
	+-[SW7]--<PARAMETER REQUEST>	FOH 43H 3nH 64H ahH amH alH F7H	
	+-[SW12]--	XG SYSTEM ON	FOH 43H 1nH 4CH 00H 00H 7EH 00H F7H
+ [SW3] +-----	SYSTEM REALTIME MESSAGE		
	TIMING CLOCK	F8H	
+ [SW4] +-----	SYSTEM REALTIME MESSAGE		
	START	FAH	
	CONTINUE	FBH	
	STOP	FCH	
+-----	ACTIVE SENSING	FEH	

- [SW2] MIDI Control Mode
- [SW3] MIDI Sync
- [SW4] MIDI Control
- [SW5] MIDI Device Number  
When set to the number other than off, MIDI MASTER VOLUME will be received.
- [SW6] PHRASE CLIP MODE JOB only. Not available on S80.
- [SW7] In the VOICE MODE, VOICE related data only. In the PERFORMANCE MODE, PERFORMANCE related data only.  
SYSTEM data will be transmitted/received in all modes.
- [SW8] SYSTEM Bank Select Switch
- [SW9] SYSTEM Program Change Switch (Received only in the Play Mode when Voice Mode or Phrase Clip Mode is selected.)
- [SW10] SYSTEM Bulk Protect and the conditions mentioned in SW7 above.
- [SW11] MIDI Receive Channel and Receive Filter.  
In Performance Mode, complies with Part Receive Channel and Part Receive Switch.  
In the modes other than Performance Mode, complies with Basic Receive Channel.
- [SW12] SYSTEM Receive GM/XG On

\*1 Performance Mode only.

### 3) TRANSMIT/RECEIVE DATA

#### (3-1) CHANNEL VOICE MESSAGES

CS6R transmits BC and A-C/1-2 of ASSIGNABLE CONTROLLER, and the data from the Sequencer Part.

##### (3-1-1) NOTE OFF

STATUS 1000nnnn(8nH) n = 0 - 15 CHANNEL NUMBER  
 NOTE NUMBER 0kkkkkkk k = 0 (C-2) - 127 (G8)  
 VELOCITY 0vvvvvvv ignores "v"  
 Receive only.

##### (3-1-2) NOTE ON/OFF

STATUS 1001nnnn(9nH) n = 0 - 15 CHANNEL NUMBER  
 NOTE NUMBER 0kkkkkkk k = 0 (C-2) - 127 (G8)  
 VELOCITY 0vvvvvvv(v=0) NOTE ON  
 0vvvvvvv(v=0) NOTE OFF

##### (3-1-3) CONTROL CHANGE

STATUS 1011nnnn(BnH) n = 0 - 15 CHANNEL NUMBER  
 CONTROL NUMBER 0cccccc  
 CONTROL VALUE 0vvvvvvv

\* TRANSMITTED CONTROL NUMBER  
 c = 0 BANK SEL MSB ; v = 0,63,127 \*3  
 c = 32 BANK SEL LSB ; v = 0,1,8,9,24,25,32,40,41,64,65 \*3  
 c = 1 MODULATION ; v = 0 - 127 \*3  
 c = 5 PORTAMENTO TIME ; v = 0 - 127 \*4  
 c = 7 MAIN VOLUME ; v = 0 - 127 \*4  
 c = 10 PAN ; v = 0 - 127 \*4  
 c = 11 EXPRESSION ; v = 0 - 127 \*4  
 c = 31 EG SUSTAIN LEVEL ; v = 0:-64 - 64:0 - 127:+63 \*4,\*5  
 c = 64 SUSTAIN SWITCH ; v = 0, 127 \*4  
 c = 65 PORTAMENTO SWITCH ; v = 0-63:OFF , 64-127:ON \*4  
 c = 71 FILTER RESONANCE ; v = 0:-64 - 64:0 - 127:+63 \*4  
 c = 72 EG RELEASE TIME ; v = 0:-64 - 64:0 - 127:+63 \*4  
 c = 73 EG ATTACK TIME ; v = 0:-64 - 64:0 - 127:+63 \*4  
 c = 74 FILTER CUTOFF FREQ ; v = 0:-64 - 64:0 - 127:+63 \*4  
 c = 75 EG DECAY TIME ; v = 0:-64 - 64:0 - 127:+63 \*4  
 c = 91 REVERB SEND ; v = 0 - 127 \*4  
 c = 93 CHORUS SEND ; v = 0 - 127 \*4  
 c = 0..95 ASSIGNABLE CONTROLLER ; v = 0 - 127 \*6  
 The Sequencer Part will play back all the recorded control change messages.

\* RECEIVED CONTROL NUMBER  
 c = 0 BANK SEL MSB ; v = 0 - 127 \*3  
 c = 32 BANK SEL LSB ; v = 0 - 127 \*3  
 c = 1 MODULATION ; v = 0 - 127 \*3  
 c = 5 PORTAMENTO TIME ; v = 0 - 127 \*2  
 c = 6 DATA ENTRY MSB ; v = 0 - 127 \*1  
 c = 38 DATA ENTRY LSB ; v = 0 - 127 \*1  
 c = 7 MAIN VOLUME ; v = 0 - 127 \*1  
 c = 10 PAN ; v = 0 - 127 \*1  
 c = 11 EXPRESSION ; v = 0 - 127 \*1  
 c = 31 EG SUSTAIN LEVEL ; v = 0:-64 - 64:0 - 127:+63 \*2,\*5  
 c = 64 SUSTAIN SWITCH ; v = 0-63:OFF , 64-127:ON \*2  
 c = 65 PORTAMENTO SWITCH ; v = 0-63:OFF , 64-127:ON \*2  
 c = 66 SOSTENUTO ; v = 0-63:OFF , 64-127:ON \*2  
 c = 71 HARMONIC CONTENT ; v = 0:-64 - 64:0 - 127:+63 \*2  
 c = 72 EG RELEASE TIME ; v = 0:-64 - 64:0 - 127:+63 \*2  
 c = 73 EG ATTACK TIME ; v = 0:-64 - 64:0 - 127:+63 \*2  
 c = 74 BRIGHTNESS ; v = 0:-64 - 64:0 - 127:+63 \*2  
 c = 75 EG DECAY TIME ; v = 0:-64 - 64:0 - 127:+63 \*2  
 c = 91 EFFECT1 DEPTH ; v = 0 - 127 \*1  
 c = 93 EFFECT3 DEPTH ; v = 0 - 127 \*1  
 c = 96 DATA ENTRY INC ; v = 127 \*1  
 c = 97 DATA ENTRY DEC ; v = 127 \*1  
 c = 0..95 ASSIGNABLE CONTROLLER ; v = 0 - 127 \*6  
 c = 0..95 ARPEGGIO SW ; v = 0-63:OFF , 64-127:ON \*6  
 c = 0..95 ARPEGGIO HOLD ; v = 0-63:OFF , 64-127:ON \*6

\*1 Used only when a value is set using RPN.  
 \*2 Invalid with Drum Voices.  
 \*3 Relation between BANK CHANGE and PROGRAM is as follows:

CATEGORY	MSB	LSB	PROGRAM No	Displayed on LCD
Normal Voice	Internal	0	0	0..127 (1..128)
Drum Voice	Internal	127	0	0..1 (1..2)
Normal Voice	Preset 1	63	0	0..127 (1..128)
	Preset 2	63	1	0..127 (1..128)
	Internal	63	8	0..127 (1..128)
	External	63	9	0..127 (1..128)
Plug-in Voice	Plug-in 1	63	24	0..63 (1..64)
	Plug-in 2	63	25	0..63 (1..64)
Drum Voice	Preset	63	32	0..7 (1..8)
	Internal	63	40	0..1 (1..2)
	External	63	41	0..1 (1..2)
Performance	Internal	63	64	0..127 (1..128)
	External	63	65	0..63 (1..64)
Phrase Clip	Internal	63	104	0..3 (1..4)

\*4 CS6x only.  
 \*5 Transmitted/received only when MODE2 is selected in CONTROL CHANGE MODE.  
 \*6 The default CONTROL NUMBERS of ASSIGNABLE CONTROLLER are as follows:  
 BREATH CONTROLLER 2  
 FOOT CONTROLLER 4 (Transmit: CS6x and S80 only)  
 SCENE CONTROL 14 (Transmit/Receive: CS6x only)  
 KNOB 1 16  
 KNOB 2 17  
 KNOB A 18  
 KNOB B 19  
 KNOB C 20  
 RIBBON CONTROLLER 22 (Transmit: CS6x only)  
 CONTROL SLIDER 7 (Transmit/Receive: S80 only)  
 FOOT SWITCH 88 (Transmit: CS6x, S80 only)  
 ARPEGGIO HOLD 89 (Transmit: CS6x only)  
 ARPEGGIO SWITCH 90 (Transmit: CS6x only)

PORTAMENTO TIME sets the time it takes for the pitch to reach the next note played when PORTAMENTO SWITCH is set to on.  
 PAN position relatively changes according to the preset value for each voice.  
 EFFECT1 DEPTH controls reverb send level.  
 EFFECT3 DEPTH controls chorus send level.  
 HARMONIC CONTENT adjusts the resonance preset for each voice.  
 Setting a value adds to or subtracts from the center value, 64, since it is an offset parameter.  
 The larger the value more resonant sound will be produced. The effective range may be narrower than the range you can designate depending on the selected voice.  
 The parameters, EG ATTACK TIME, EG DECAY TIME, EG SUSTAIN LEVEL, EG RELEASE TIME adjust the envelopes preset for each voice.  
 Setting these values add to or subtract from the center value, 64, since these are offset parameters.  
 BRIGHTNESS adjusts the cutoff frequency preset for each voice.  
 Setting a value adds to or subtracts from the center value, 64, since it is an offset parameter.  
 The smaller the value the cutoff frequency will be lowered. The effective range may be narrower than the range you can designate depending on the selected voice.  
 Bank Select will be actually executed when the Program Change message is received.  
 Bank Select and Program Change numbers that are not supported by Yamaha will be ignored.

#### (3-1-4) PROGRAM CHANGE

STATUS 1100nnnn(CnH) n = 0 - 15 CHANNEL NUMBER  
 PROGRAM NUMBER 0ppppppp p = 0 - 127

#### (3-1-5) CHANNEL AFTER TOUCH

STATUS 1101nnnn(DnH) n = 0 - 15 CHANNEL NUMBER  
 VALUE 0vvvvvvv v = 0 - 127 AFTER TOUCH VALUE

#### (3-1-6) PITCH BEND CHANGE

STATUS 1110nnnn(EnH) n = 0 - 15 CHANNEL NUMBER  
 LSB 0vvvvvvv PITCH BEND CHANGE LSB  
 MSB 0vvvvvvv PITCH BEND CHANGE MSB  
 Transmitted with a resolution of 7 bits.

#### (3-2) CHANNEL MODE MESSAGES

STATUS 1011nnnn(BnH) n = 0 - 15 CHANNEL NUMBER  
 CONTROL NUMBER 0cccccc c = CONTROL NUMBER  
 CONTROL VALUE 0vvvvvvv v = DATA VALUE

##### (3-2-1) ALL SOUNDS OFF (CONTROL NUMBER = 78H, DATA VALUE = 0)

All the sounds currently played including the channel messages such as note-on and hold-on in a certain channel are muted when receiving this message.

##### (3-2-2) RESET ALL CONTROLLERS (CONTROL NUMBER = 79H, DATA VALUE = 0)

Resets the values set for the following controllers.

PITCH BEND CHANGE 0 (center)  
 CHANNEL AFTER TOUCH 0 (minimum)  
 MODULATION 0 (minimum)  
 EXPRESSION 127 (maximum)  
 BREATH CONTROLLER 127 (maximum)  
 FOOT CONTROLLER 127 (maximum)  
 RIBBON CONTROLLER 0 (center)  
 KNOB 1 0 (center)  
 KNOB 2 0 (center)  
 SUSTAIN SWITCH 0 (off)  
 SOSTENUTO SWITCH 0 (off)  
 RPN Not assigned; No change

Doesn't reset the following data:

PROGRAM CHANGE, BANK SELECT MSB/LSB, VOLUME, PAN.  
 HARMONIC CONTENT, SUSTAIN LEVEL, RELEASE TIME, ATTACK TIME, DECAY TIME, BRIGHTNESS  
 EFFECT SEND LEVEL 1, EFFECT SEND LEVEL 3, PORTAMENTO SWITCH  
 PITCH BEND SENSITIVITY, FINE TUNING, COARSE TUNING  
 ASSIGNABLE CONTROLLER

##### (3-2-3) ALL NOTES OFF (CONTROL NUMBER = 7BH, DATA VALUE = 0)

All the notes currently set to on in certain channel(s) are muted when receiving this message. However, if Sustain or Sostenuto is on, notes will continue sounding until these are turned off.

##### (3-2-4) OMNI MODE OFF (CONTROL NUMBER = 7CH, DATA VALUE = 0)

Performs the same function as when receiving ALL NOTES OFF.  
 Sets VOICE RECEIVE CHANNEL to "OMNI OFF," channel 1.

##### (3-2-5) OMNI MODE ON (CONTROL NUMBER = 7DH, DATA VALUE = 0)

Performs the same function as when receiving ALL NOTES OFF.  
 Sets VOICE RECEIVE CHANNEL to "OMNI ON."

##### (3-2-6) MONO (CONTROL NUMBER = 7EH, DATA VALUE = 0.16)

Performs the same function as when receiving ALL SOUNDS OFF. If the 3rd byte (mono) is within 0 through 16, the channel will be Mode4(m = 1).  
 In VOICE MODE, the mode can be Mode2(m=1) according to VOICE RECEIVE CHANNEL.

##### (3-2-7) POLY (CONTROL NUMBER = 7FH, DATA VALUE = 0)

Performs the same function as when receiving ALL SOUNDS OFF. The channel will be Mode3.  
 In VOICE MODE, the mode can be Mode1 according to VOICE RECEIVE CHANNEL.

#### (3-3) REGISTERED PARAMETER NUMBER

STATUS 1011nnnn(BnH) n = 0 - 15 CHANNEL NUMBER  
 LSB 01100100(64H)  
 RPN LSB 0ppppppp p = RPN LSB(Refer to the table as shown below)  
 MSB 01100101(65H)  
 RPN MSB 0qqqqqqq q = RPN MSB(Refer to the table as shown below)  
 DATA ENTRY MSB 00000110(06H)  
 DATA VALUE 0mmmmmm m = Data Value  
 DATA ENTRY LSB 00100110(26H)  
 DATA VALUE 01111111 1 = Data Value

First, designate the parameter using RPN MSB/LSB numbers. Then, set its value with data entry MSB/LSB.

RPN LSB MSB MSB LSB D.ENTRY PARAMETER NAME DATA RANGE  
 00H 00H mmH --- PITCH BEND SENSITIVITY 00H - 18H (0 - 24 semitones)  
 01H 00H mmH 11H MASTER FINE TUNE (mmH,11H)=(00H,00H)-(40H,00H)-(7FH,7FH)  
 (-8192\*100/8192) - 0 - (+8192\*100/8192)  
 02H 00H mmH --- MASTER COARSE TUNE 28H - 40H - 58H (-24 - 0 - +24 semitones)  
 7FH 7FH --- --- RPN RESET RPN numbers will be left not designated.  
 The internal values are not affected.

#### (3-4) NON-REGISTERED PARAMETER NUMBER

There are no applicable parameters.

#### (3-5) SYSTEM REAL TIME MESSAGES

##### (3-5-1) ACTIVE SENSING

STATUS 11111110(FEH)

Transmitted at every 200 msec.  
 Once this code is received, the instrument starts sensing. When no status nor data is received for over approximately 350 ms, MIDI receiving buffer will be cleared, and the sounds currently played and the sustain switch are forcibly turned off. In this case, each control data will be reset to a certain value.

#### (3-6) SYSTEM EXCLUSIVE MESSAGE

##### (3-6-1) UNIVERSAL NON REALTIME MESSAGE

(3-6-1-1) GENERAL MIDI MODE ON  
 FOH 7EH 7FH 09H 01H F7H

Received only when SYSTEM Receive GM/XG on is set to on in PERFORMANCE MODE. The Part values will be reset according to the SYSTEM Internal Part settings.

(3-6-1-2)IDENTITY REQUEST(Receive only)

F0H 7EH 0nH 06H 01H F7H ("n" = Device No.However, this instrument receives under "omni.")

(3-6-1-3)IDENTITY REPLY (Transmit only)

F0H 7EH 7FH 06H 02H 43H 00H 41H ddH ddH 00H 00H 00H 01H F7H

dd:Device Number Code
CS6x: 5C 03
CS6R: 5D 03
S80: 5E 03

(3-6-2)UNIVERSAL REALTIME MESSAGE

(3-6-2-1) MIDI MASTER VOLUME

F0H 7FH 7FH 04H 01H 11H mmH F7H

Sets the MASTER VOLUME value.
The value "mm" is used to set the master volume (the value "11" should be ignored).

(3-6-3)PARAMETER CHANGE

(3-6-3-1) XG SYSTEM ON

11110000 F0 Exclusive status
10000111 43 YAMAHA ID
0001nnnn 1n device Number
10011000 4C Model ID
0aaaaaaa 0 Address High
0aaaaaaa 0 Address Mid
0aaaaaaa 7E Address Low
0 0 Data
11110111 F7 End of Exclusive

Received only when SYSTEM Receive GM/XG on is set to on in PERFORMANCE MODE. The Part values will be reset according to the SYSTEM Internal Part settings. Be aware that executing this message takes ca. 170ms and that, therefore, a certain interval before executing the following message is needed.

(3-6-3-2) NATIVE PARAMETER CHANGE, REMOTE SWITCH

11110000 F0 Exclusive status
01000011 43 YAMAHA ID
0001nnnn 1n device Number
01100100 64 Model ID
0aaaaaaa aaaaaaa Address High
0aaaaaaa aaaaaaa Address Mid
0aaaaaaa aaaaaaa Address Low
0ddddd 0 Data
11110111 F7 End of Exclusive

For parameters with data size of 2 or more, the appropriate number of data bytes will be transmitted. See the following MIDI Data Table for Address and Byte Count. Always received no matter which device number is selected, in the case of REMOTE SWITCH.

(3-6-4)BULK DUMP

11110000 F0 Exclusive status
01000011 43 YAMAHA ID
0000nnnn 0n device Number
01100100 64 Model ID
0bbbbbbb bbbbbbbb Byte Count
0bbbbbbb bbbbbbbb Byte Count
0aaaaaaa aaaaaaa Address High
0aaaaaaa aaaaaaa Address Mid
0aaaaaaa aaaaaaa Address Low
0 0 Data
| |
0ccccccc cccccccc Check-sum
11110111 F7 End of Exclusive

See the following MIDI Data Table for Address and Byte Count. The Check sum is the value that results in a value of 0 for the lower 7 bits when the Byte Count, Start Address, Data and Check sum itself are added.

(3-6-5) DUMP REQUEST

11110000 F0 Exclusive status
01000011 43 YAMAHA ID
0010nnnn 2n device Number
01100100 64 Model ID
0aaaaaaa aaaaaaa Address High
0aaaaaaa aaaaaaa Address Mid
0aaaaaaa aaaaaaa Address Low
11110111 F7 End of Exclusive

See the following MIDI Data Table for Address and Byte Count.

(3-6-6) PARAMETER REQUEST

11110000 F0 Exclusive status
01000011 43 YAMAHA ID
0011nnnn 3n device Number
01100100 64 Model ID
0aaaaaaa aaaaaaa Address Hig
0aaaaaaa aaaaaaa Address Mid
0aaaaaaa aaaaaaa Address Low
11110111 F7 End of Exclusive

See the following MIDI Data Table for Address and Byte Count.

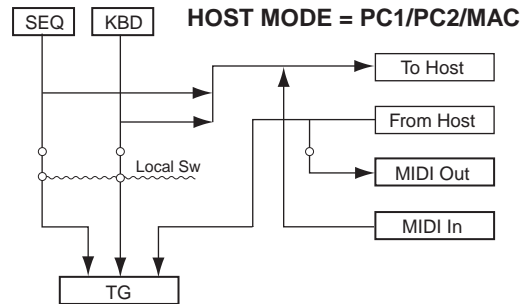
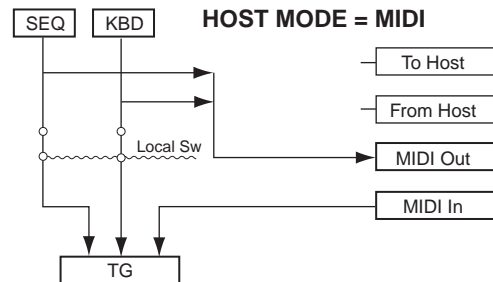
(3-6-7)SAMPLE DUMP STANDARD

Receives sample dump headers and those data, and executes dump request. Doesn't send sample dump headers and those data.

DUMP REQUEST F0 7E nn 03 ss ss F7
Requests to send by designating the sample number of the source device.
ACK F0 7E nn 7F pp F7
Requests to send the following data after receiving the last packet of data.
NAK F0 7E nn 7E pp F7
Requests to send the remaining data after failing to receive the last packet of data.
CANCEL F0 7E nn 7D pp F7
Reports the cancellation of sample dump.
WAIT F0 7E nn 7C pp F7
Orders the source device not to send packets until an alternative order is given. To resume the operation, send "ACK" or "CANCEL."
DUMP HEADER F0 7E nn 01 ss ss ee ff ff gg gg hh hh ii ii jj F7
Header of the data.
DATA PACKET F0 7E nn 02 kk < data 120 bytes > cc F7
Sample data.

nn Channel Number
ss ss Requested Sample, LSB First
pp Packet Number
ee Sample Format
ff ff ff Sample Period in Nanoseconds
gg gg gg Sample Length in Words
hh hh hh Sustain Loop Start Point Word Number (LSB First)
ii ii ii Sustain Loop End Point Word Number (LSB First)
jj Loop Type

4) SYSTEM OVERVIEW (Keyboard, Sequencer and Tone Generator)



Although three types of note on/note off data, received via MIDI, played by the internal sequencer and played on the keyboard will be distinguished, the other controllers (channel messages) equally affect the entire notes.

ALL SOUNDS OFF clears all the sounds in the specific channel(s) played by both the keyboard and the data via MIDI.
ALL NOTES OFF received via MIDI clears the sounds in the specific channel(s) played via MIDI.

# MIDI Data Table

## Bank Select

Available Bank Select/Program Change

MSB (HEX)	LSB (HEX)	Program No.	Type	Memory	Description	
0	00	0	0 - 127	Normal Voice	Internal	
127	7F	0	0 - 1	Drum Voice	User(Internal)	
63	3F	0	0 - 127	Normal Voice	Preset 1	
		1	01 - 127		Preset 2	
		8	08 - 127		User(Internal)	Bank Select/Program Change made here may be ineffective depending on the Bank Select setting in Utility Mode. For more information refer to the Owner's Manual.
		9	09 - 127		User(External)	
		24	18 - 63	Plug-in Voice	User(Plug-in 1)	Ignored in Phrase Clip Mode.
		25	19 - 63		User(Plug-in 2)	
		32	20 - 7	Drum Voice	Preset	
		40	28 - 1		User(Internal)	
		41	29 - 1		User(External)	
		63	3F	64	40 - 127	Performance
65	41 - 127				User(External)	
104	68 - 3			Clip Kit	User	Effective only in Phrase Clip Mode and Phrase Clip Part of Performance Mode.

## Plug-in Voice Bank Display

Available Bank Select/Program Change of the Plug-in Boards

(Before selecting a number, a Plug-in Board should be installed and PLG1 or PLG2 has to be selected in Voice Mode.)

MSB (HEX)	LSB (HEX)	Program No.	Type	LCD Display	Description
63	3F	18 - 19	0 - 63	Internal	PLG INT
0	00	00 - 7F	0 - 127	XG Normal	NORM/LLL
64	40	00 - 7F	0 - 127	XG SFX	NORM/SFX
126	7E	00 - 7F	0 - 127	XG SFX kit	KIT/SFX
127	7F	00 - 7F	0 - 127	XG Drum kit	KIT/DRM
***	**	00 - 7F	0 - 127	others	MMM/LLL

Only the banks that can be received by Plug-in Board are shown.

<Table1>

## Parameter Base Address

Parameter Block	Top Address			Description
	H	M	L	
SYSTEM	00	00	00	System
	00	10	00	Plug-in Board Native System
	00	20	00	Master EQ
	00	70	00	Panel Knob
REMOTE SWITCH	0A	00	00	Remote Switch
BULK CONTROL	0E	00	00	Header
	0F	00	00	Footer
PERFORMANCE COMMON	30	00	00	Performance Common
PERFORMANCE PART	31	00	00	Part1
	:	:	:	:
	31	0F	00	Part16
	31	40	00	A/D Part
	31	50	00	Phrase Clip Part
PERFORMANCE ZONE	31	60	00	Plug-in 1 Part
	31	61	00	Plug-in 2 Part
	32	00	00	Zone1
VOICE COMMON	32	03	00	Zone4
	40	00	00	Common
	40	01	00	Reverb
	40	02	00	Chorus
VOICE ELEMENT GROUP1	40	03	00	Insertion 1
	40	04	00	Insertion 2
	40	05	00	Controller
	40	06	00	LFO
	40	07	00	Extra
	41	ee	00	ee : Element No.
	42	ee	00	ee : Element No.
	43	ee	00	ee : Element No.
44	ee	00	ee : Element No.	
KIT COMMON (DRUM VOICE & CLIP KIT)	46	00	00	Common
	46	01	00	Reverb
	46	02	00	Chorus
	46	03	00	Insertion 1
	46	04	00	Insertion 2
	46	05	00	Controller
	46	07	00	Extra
	46	71	00	Extra Phrase Clip
	47	ee	00	ee : Element No.
	48	ee	00	ee : Element No.
49	ee	00	ee : Element No.	
4A	ee	00	ee : Element No.	
VOICE PLUGIN	4C	00	00	Common
	4C	01	00	Reverb
	4C	02	00	Chorus
	4C	03	00	Insertion 1
	4C	05	00	Controller
	4C	10	00	Plug-in Element
	4C	20	00	Native
	4C	70	00	Extra

< Table 2 >

## Bulk Dump Block

- "Top Address" indicates the top address of each block designated by bulk dump operation.
- "Byte Count" indicates the data size contained in each block designated by bulk dump operation.
- All blocks, from Bulk Header through Bulk Footer, of PERFORMANCE/VOICE can be received even though they are not sent in order and/or not all of them are sent. However, squeezing a different block in those blocks causes the operation invalid.
- To execute 1 Performance/1 Voice bulk dump request, designate its corresponding Bulk Header address.
- For the information about "mm" and "nn" shown in the following list, refer to MIDI PARAMETER CHANGE TABLE (BULK CONTROL) below.

Parameter Block	Description	Byte Count			Top Address		
		Dec	Hex		H	M	L

SYSTEM	System	60	3C	00	00	00
	Plug-in Board Native System	32	20	00	10	00
	Master EQ (for Voice Mode)	20	14	00	20	00

PERFORMANCE	COMMON	Bulk Header	0	00	0E	mm	nn
		Common	68	44	30	00	00
		Reverb	24	18	30	01	00
		Chorus	25	19	30	02	00
		Insertion 1 (for A/D Part)	22	16	30	03	00
		Insertion 2 (for A/D Part)	34	22	30	04	00
		Controller (for A/D Part)	10	0A	30	05	00
		Master EQ	20	14	30	10	00
		Native (for InsEF Plug-in)	68	44	30	20	00
		:	:	37	25	31	00
PART	:	:	:	:	:	:	
	:	:	16 Blocks	:	:	:	
A/D PART	Part16	37	25	31	0F	00	
	A/D Part	37	25	31	40	00	
PHRASE CLIP PART	Phrase Clip Part	37	25	31	50	00	
	Plug-in 1 Part	37	25	31	60	00	
PLUG-IN PART	Plug-in 2 Part	37	25	31	61	00	
	:	:	:	:	:	:	
MASTER KEYBOARD ZONE	Zone1	16	10	32	00	00	
	:	:	:	:	:	:	
	:	:	4 Blocks	:	:	:	
	Zone4	16	10	32	03	00	
Bulk Footer	0	00	0F	mm	nn		

VOICE (NORMAL)	COMMON	Bulk Header	0	00	0E	mm	nn	
		Extra	56	38	40	70	00	
		Common	13	0D	40	00	00	
		Reverb	24	18	40	01	00	
		Chorus	25	19	40	02	00	
		Insertion 1(S)	22	16	40	03	00	
		Insertion 2(L)	34	22	40	04	00	
		Controller	30	1E	40	05	00	
		LFO	14	0E	40	06	00	
		ELEMENT 1	Oscillator	13	0D	41	00	00
			Amplitude	29	1D	41	00	20
			Pitch	27	1B	42	00	00
			Filter	48	30	43	00	00
			EQ	8	08	44	00	00
		ELEMENT 2	LFO	6	06	44	00	40
Oscillator	13		0D	41	01	00		
Amplitude	29		1D	41	01	20		
Pitch	27		1B	42	01	00		
Filter	48		30	43	01	00		
ELEMENT 3	EQ	8	08	44	01	00		
	LFO	6	06	44	01	40		
	Oscillator	13	0D	41	02	00		
	Amplitude	29	1D	41	02	20		
	Pitch	27	1B	42	02	00		
ELEMENT 4	Filter	48	30	43	02	00		
	EQ	8	08	44	02	00		
	LFO	6	06	44	02	40		
	Oscillator	13	0D	41	03	00		
	Amplitude	29	1D	41	03	20		
VOICE (DRUM)	COMMON	Pitch	27	1B	42	03	00	
		Filter	48	30	43	03	00	
		EQ	8	08	44	03	00	
		LFO	6	06	44	03	40	
		Bulk Footer	0	00	0F	mm	nn	

VOICE (DRUM)	COMMON	Bulk Header	0	00	0E	mm	nn	
		Extra	56	38	46	70	00	
		Common	7	07	46	00	00	
		Reverb	24	18	46	01	00	
		Chorus	25	19	46	02	00	
		Insertion 1(S)	22	16	46	03	00	
		Insertion 2(L)	34	22	46	04	00	
		Controller	30	1E	46	05	00	
		KEY C 0	Oscillator	18	12	47	00	00
			Amplitude	12	0C	47	00	20
			Pitch	3	03	48	00	00
			Filter	8	08	49	00	00
			EQ	8	08	4A	00	00
		KEY C 6	:	:	:	:	:	:
			:	:	73 Blocks	:	:	:
Oscillator	18		12	47	48	00		
Amplitude	12		0C	47	48	20		
Pitch	3		03	48	48	00		
VOICE (DRUM)	COMMON	Filter	8	08	49	48	00	
		EQ	8	08	4A	48	00	
		Bulk Footer	0	00	0F	mm	nn	

VOICE (PLUG-IN)	ID	Bulk Header	0 00	0E	mm	nn
COMMON	Extra	56 38	4C	70	00	
	Common	13 0D	4C	00	00	
	Reverb	24 18	4C	01	00	
	Chorus	25 19	4C	02	00	
	Insertion 1(S)	22 16	4C	03	00	
	Controller	10 0A	4C	05	00	
	Plug-in Element	35 23	4C	10	00	
Native	68 44	4C	20	00		
Bulk Footer	0 00	0F	mm	nn		

Parameter Change

F0, 43, 1n, id, ah, am, al, dt, ... F7

n: Device Number  
 id: Model ID  
 ah: Parameter Address High  
 am: Parameter Address Middle  
 al: Parameter Address Low  
 dt: Data

Parameter Request

F0, 43, 3n, id, ah, am, al, F7

n: Device Number  
 id: Model ID  
 ah: Parameter Address High  
 am: Parameter Address Middle  
 al: Parameter Address Low

Bulk Dump

F0, 43, 0n, id, bh, bl, ah, am, al, dt, ..., cc, F7

n: Device Number  
 id: Model ID  
 bh: Byte Count High  
 bl: Byte Count Low  
 ah: Parameter Address High  
 am: Parameter Address Middle  
 al: Parameter Address Low  
 dt: Data  
 cc: Check Sum of Data

Bulk Dump Request

F0, 43, 2n, id, ah, am, al, F7

n: Device Number  
 id: Model ID  
 ah: Parameter Address High  
 am: Parameter Address Middle  
 al: Parameter Address Low

<Table 3>

MIDI PARAMETER CHANGE TABLE (SYSTEM)

Address	Size	Data Range(HEX)	Parameter Name	Description	Default(HEX)	Notes
0000	00	1	00-7F	Master Volume	0-127	7F MIDI Master Volume
01	1	28-58	Master Note Shift	-24 ~ +24[semitones]	40	
02	4	00-0F	Master Tune	-102.4 ~ +102.3[cent]	00.04 (00/040)	MIDI Master Tuning
		00-0F		1st bit3-0 → bit15-12		
		00-0F		2nd bit3-0 → bit11-8		
		00-0F		3rd bit3-0 → bit7-4		
		00-0F		4th bit3-0 → bit3-0		
06	1	00-01	Controller Reset	hold, reset	00	
07	1	35-4B	MasterTranspose	-11 ~ +11[semitones]	40	CS6x, S80 only
08	1	3D-43	Master Octave Shift	-3 ~ +3	40	CS6x, S80 only
09	1	00-01	Local Switch	off, on	01	
0A	1	00-10,7F	Basic Receive Channel	1-16,omni,off	00	
0B	1	00-0F,7F	Keyboard Transmit Channel	1-16,off	00	
0C	1	00-01	MIDI Sync	int,MIDI	00	
0D	1	00-01	MIDI Control	off, on	01	
0E	1	00-01	Plug-in Board 1 MIDI Sync/Control	off, on	00	
0F	1	00-01	Plug-in Board 2 MIDI Sync/Control	off, on	00	
10	1	reserved			02	
11	1	00-03	BC Curve (for TG)	thru, soft, hard, wide	00	
12	1	00-04	Keyboard Velocity Curve	norm, soft, hard, wide, fixed	00	CS6x, S80 only
13	1	01-7F	Keyboard Fixed Velocity	1-127	40	CS6x, S80 only
14	1	00-01	Receive GM/XG On	off, on	01	
15	1	00-03	Receive/Transmit Bank Select	off,all,part,perform	01	
16	1	00-01	Receive Program Change	off, on	00	
17	1	00-01	MIDI Control Mode	mode1, mode2	00	
18	1	00-07	Thru Port	1-8	00	
19	1	00-01	MIDI Input	MIDI,mLAN	00	
1A	1	00-01	Effect Bypass Reverb	off, on	01	
1B	1	00-01	Effect Bypass Chorus	off, on	01	
1C	1	00-01	Effect Bypass Insertion	off, on	00	
1D	1	reserved			00	
1E	1	00-02	GM/XG Receive Mode	all-part, layer-part, all-off	02	
1F	1	00-03	Power on Mode	Performance, Voice(INT), Voice(PRE1), last	01	
20	1	reserved			00	
21	1	reserved			00	
22	1	reserved			00	
23	1	reserved			00	
24	1	reserved			00	
25	4	reserved			00	
29	1	00-5F	Scene Control Number	off, 1-95	0E	CS6x only
2A	1	00-33	Knob A Destination	off, 1-51	01	
2B	1	00-33	Knob B Destination	off, 1-51	07	
2C	1	00-33	Knob C Destination	off, 1-51	0D	
2D	1	00-5F	Knob A Control Number	off, 1-95	12	
2E	1	00-5F	Knob B Control Number	off, 1-95	13	
2F	1	00-5F	Knob C Control Number	off, 1-95	14	
30	1	00-01	FV Assign	volume, express	01	
31	1	00-64	FS Assign	off, 1-95, Arp Sw, Arp Hold, SMF Play, PC Inc, PC Dec	58	
32	1	00-5F	ARP Switch Control Number	off, 1-95	5A	
33	1	00-5F	ARP Hold Control Number	off, 1-95	59	
34	1	00-01	ARP MIDI Out Switch	off, on	00	for Voice Mode
35	1	00-0F	ARP MIDI Out Channel	1-16	00	:
36	1	00-5F	KN1 Control Number	off, 1-95	10	:
37	1	00-5F	KN2 Control Number	off, 1-95	11	:
38	1	00-5F	BC Control Number	off, 1-95	02	:
39	1	00-5F	FC Control Number	off, 1-95	04	:
3A	1	00-5F	RB Control Number	off, 1-95	16	:
3B	1	00-01	RB Mode	hold,reset	00	(CS6x only)
TOTAL SIZE = 60 3C (HEX)						
0010	00	16	00-7F	Plug-in 1 Native System Parameter	depends on Plug-in Board	depends on Plug-in Board
10	16	00-7F	Plug-in 2 Native System Parameter	depends on Plug-in Board	depends on Plug-in Board	
TOTAL SIZE = 32 20 (HEX)						
0020	00	1	34-4C	EQ Gain1	-12 ~ +12[dB]	40 for Voice Mode
01	1	04-28	EQ Frequency1	32-2000[Hz]	0C	:
02	1	01-78	EQ Q1	0.1-12.0	07	:
03	1	00-01	EQ Shape1	shelv, peak	00	:
04	1	34-4C	EQ Gain2	-12 ~ +12[dB]	40	:
05	1	0E-36	EQ Frequency2	100-10.0[kHz]	1C	:
06	1	01-78	EQ Q2	0.1-12.0	07	:
	1	NOT USED				:
08	1	34-4C	EQ Gain3	-12 ~ +12[dB]	40	:
09	1	0E-36	EQ Frequency3	100-10.0[kHz]	22	:
0A	1	01-78	EQ Q3	0.1-12.0	07	:
	1	NOT USED				:
0C	1	34-4C	EQ Gain4	-12 ~ +12[dB]	40	:
0D	1	0E-36	EQ Frequency4	100-10.0[kHz]	2E	:
0E	1	01-78	EQ Q4	0.1-12.0	07	:
	1	NOT USED				:
10	1	34-4C	EQ Gain5	-12 ~ +12[dB]	40	:
11	1	1C-3A	EQ Frequency5	0.5-16.0[kHz]	34	:
12	1	01-78	EQ Q5	0.1-12.0	07	:
13	1	00-01	EQ Shape5	shelv, peak	00	:
TOTAL SIZE = 20 14 (HEX)						
0070	00	1	00-7F	Phrase Clip Pitch Knob	0-127	CS6x,CS6R only

## MIDI PARAMETER CHANGE TABLE (BULK CONTROL)

Address	Size	Data Range(HEX)	Prmter Name	Description	Default(HEX)	Notes
0E08	nn	0	-	Bulk Header	-	
09	nn	0	-	Normal Voice INT (nn = 0 - 127)	-	
0F	nn	0	-	Normal Voice EXT (nn = 0 - 127)	-	
0F	nn	0	-	Normal Voice Edit Buffer (nn = 0)	-	
18	nn	0	-	Plug-in Voice PLG1 (nn = 0 - 63)	-	
19	nn	0	-	Plug-in Voice PLG2 (nn = 0 - 63)	-	
1F	nn	0	-	Plug-in Voice Edit Buffer (nn = 0)	-	
28	nn	0	-	Drum Voice INT (nn = 0 - 1)	-	
29	nn	0	-	Drum Voice EXT (nn = 0 - 1)	-	
2F	nn	0	-	Drum Voice Edit Buffer (nn = 0)	-	
40	nn	0	-	Performance INT (nn = 0 - 127)	-	
41	nn	0	-	Performance EXT (nn = 0 - 63)	-	
4F	nn	0	-	Performance Edit Buffer (nn = 0)	-	
68	nn	0	-	Phrase Clip Kit INT (nn = 0 - 3)	-	
6F	nn	0	-	Phrase Clip Kit Edit Buffer (nn = 0)	-	
0F08	nn	0	-	Bulk Footer	-	
09	nn	0	-	Normal Voice INT (nn = 0 - 127)	-	
0F	nn	0	-	Normal Voice EXT (nn = 0 - 127)	-	
0F	nn	0	-	Normal Voice Edit Buffer (nn = 0)	-	
18	nn	0	-	Plug-in Voice PLG1 (nn = 0 - 63)	-	
19	nn	0	-	Plug-in Voice PLG2 (nn = 0 - 63)	-	
1F	nn	0	-	Plug-in Voice Edit Buffer (nn = 0)	-	
28	nn	0	-	Drum Voice INT (nn = 0 - 1)	-	
29	nn	0	-	Drum Voice EXT (nn = 0 - 1)	-	
2F	nn	0	-	Drum Voice Edit Buffer (nn = 0)	-	
40	nn	0	-	Performance INT (nn = 0 - 127)	-	
41	nn	0	-	Performance EXT (nn = 0 - 63)	-	
4F	nn	0	-	Performance Edit Buffer (nn = 0)	-	
68	nn	0	-	Phrase Clip Kit INT (nn = 0 - 3)	-	
6F	nn	0	-	Phrase Clip Kit Edit Buffer (nn = 0)	-	

<Table 4>

## MIDI PARAMETER CHANGE TABLE (REMOTE SWITCH)

Address	Size	Data Range(HEX)	Prmter Name	Description	Default(HEX)	Notes
00	00	1	00-01	OCT DOWN	off.on	CS6x only
01	1	00-01	OCT UP	off.on	--	CS6x only
02	1	00-01	SCENE1	off.on	--	CS6x only
03	1	00-01	SCENE2	off.on	--	CS6x only
04	1	00-01	ARP HOLD	off.on	--	CS6x only
05	1	00-01	ARP ON/OFF	off.on	--	CS6x only
06	1	00-01	PORTAMENTO ON/OFF	off.on	--	CS6x only
07	1		reserved		--	
08	1	00-01	PHRASE CLIP	off.on	--	CS6x, CS6R only
09	1	00-01	PHRASE CLIP REC	off.on	--	CS6x, CS6R only
0A	1		reserved		--	
0B	1		reserved		--	
0C	1		reserved		--	
0D	1		reserved		--	
0E	1		reserved		--	
0F	1		reserved		--	
10	1	00-01	PERFORM	off.on	--	
11	1	00-01	VOICE	off.on	--	
12	1	00-01	SEQ PLAY	off.on	--	
13	1	00-01	UTILITY	off.on	--	
14	1	00-01	CARD	off.on	--	
15	1	00-01	PLAY/STOP	off.on	--	
16	1	00-01	EDIT	off.on	--	
17	1	00-01	JOB	off.on	--	
18	1	00-01	SHIFT	off.on	--	
19	1	00-01	EF BYPASS	off.on	--	
1A	1	00-01	MASTER KEYBOARD	off.on	--	CS6x, S80 only
1B	1	00-01	DECNO	off.on	--	
1C	1	00-01	INCYES	off.on	--	
1D	1	00-01	EXIT	off.on	--	
1E	1	00-01	ENTER	off.on	--	
1F	1	00-01	STORE	off.on	--	
20	1	00-01	PRE1	off.on	--	
21	1	00-01	PRE2	off.on	--	
22	1	00-01	INT	off.on	--	
23	1	00-01	EXT	off.on	--	
24	1	00-01	PLG1	off.on	--	
25	1	00-01	PLG2	off.on	--	
26	1		reserved		--	
27	1	00-01	QUICK ACCESS	off.on	--	S80 only
28	1	00-01	A	off.on	--	CS6x, S80 only
29	1	00-01	B	off.on	--	CS6x, S80 only
2A	1	00-01	C	off.on	--	CS6x, S80 only
2B	1	00-01	D	off.on	--	CS6x, S80 only
2C	1	00-01	E	off.on	--	CS6x, S80 only
2D	1	00-01	F	off.on	--	CS6x, S80 only
2E	1	00-01	G	off.on	--	CS6x, S80 only
2F	1	00-01	H	off.on	--	CS6x, S80 only
30	1	00-01	1	off.on	--	CS6x, S80 only
31	1	00-01	2	off.on	--	CS6x, S80 only
32	1	00-01	3	off.on	--	CS6x, S80 only
33	1	00-01	4	off.on	--	CS6x, S80 only
34	1	00-01	5	off.on	--	CS6x, S80 only
35	1	00-01	6	off.on	--	CS6x, S80 only
36	1	00-01	7	off.on	--	CS6x, S80 only
37	1	00-01	8	off.on	--	CS6x, S80 only
38	1	00-01	9	off.on	--	CS6x, S80 only
39	1	00-01	10	off.on	--	CS6x, S80 only
3A	1	00-01	11	off.on	--	CS6x, S80 only
3B	1	00-01	12	off.on	--	CS6x, S80 only
3C	1	00-01	13	off.on	--	CS6x, S80 only
3D	1	00-01	14	off.on	--	CS6x, S80 only
3E	1	00-01	15	off.on	--	CS6x, S80 only
3F	1	00-01	16	off.on	--	CS6x, S80 only

<Table 5>

## MIDI PARAMETER CHANGE TABLE (PERFORMANCE COMMON)

Address	Size	Data Range(HEX)	Prmter Name	Description	Default(HEX)	Notes
3000	00	1	20-7E	Performance Name1	32_126(ASCII)	i
3000	01	1	20-7E	Performance Name2	32_126(ASCII)	n
3000	02	1	20-7E	Performance Name3	32_126(ASCII)	i
3000	03	1	20-7E	Performance Name4	32_126(ASCII)	t
3000	04	1	20-7E	Performance Name5	32_126(ASCII)	p
3000	05	1	20-7E	Performance Name6	32_126(ASCII)	i
3000	06	1	20-7E	Performance Name7	32_126(ASCII)	e
3000	07	1	20-7E	Performance Name8	32_126(ASCII)	r
3000	08	1	20-7E	Performance Name9	32_126(ASCII)	f
3000	09	1	20-7E	Performance Name10	32_126(ASCII)	i
3000	0A	1		reserved		
3000	0B	1		reserved		
3000	0C	1	00-16	Performance Category	00_22(..._Sq)	00(-)
3000	0D	1	00-7F	Phrase Clip Pitch	-64_+63	40
3000	0E	1	00-02	Master Keyboard Mode	split_4zone_laver	01
3000	0F	1	00-7F	Master Keyboard Split Point	C-2_G8	3C
3000	10	1	00-10	Laver Channel	1_16_BasicCh	10
3000	11	1	00-01	ARP MIDI Out Switch	off.on	00
3000	12	1	00-10	ARP MIDI Out Channel	1_16_kbd-ch	00
3000	13	1	00-7F	ARP Type	Up/Cut - GateCut3	00
3000	14	1	00-01	ARP Switch	off.on	00
3000	15	1	00-02	ARP Hold	sync-off.on	01
3000	16	1	00-06	ARP Unit Multiply	50%,66%,75%,100%,133%,150%,200%	03
3000	17	1	00-7F	ARP Note Limit Low	C-2_G8	00
3000	18	1	00-7F	ARP Note Limit High	C-2_G8	7F
3000	19	1	00-02	ARP Key Mode	sort.thru.direct	01
3000	1A	1	00-01	ARP Val Mode	original.thru	01
3000	1B	2	0000-00C8	ARP Velocity Rate MSB ARP Velocity Rate LSB	0_..200%	64
3000	1D	2	0000-00C8	ARP Gate Time Rate MSB ARP Gate Time Rate LSB	0_..200%	64
3000	1F	2	0019-012C	ARP Tempo MSB ARP Tempo LSB	25_300	78
3000	21	1	01-7F	OED Pan	L63_C_R63	40
3000	22	1		reserved		40
3000	23	1	00-7F	OED Chorus Control	-64_+63	40
3000	24	1	00-7F	OED Release Time	-64_+63	40
3000	25	1	00-7F	OED Sustain Level	-64_+63	40
3000	26	1	00-7F	OED Portamento Time	-64_+63	40
3000	27	1	00-01	OED Portamento Switch	off.on	00
3000	28	1	00-7F	OED KnobA	-64_+63	40
3000	29	1	00-7F	OED KnobB	-64_+63	40
3000	2A	1	00-7F	OED KnobC	-64_+63	40
3000	2B	1	00-7F	OED/Scene 1 Knob1	-64_+63	40
3000	2C	1	00-7F	OED/Scene 1 Knob2	-64_+63	40
3000	2D	1	00-7F	OED/Scene 1 Cutoff Frequency	-64_+63	40
3000	2E	1	00-7F	OED/Scene 1 Resonance	-64_+63	40
3000	2F	1	00-7F	OED/Scene 1 Attack Time	-64_+63	40
3000	30	1	00-7F	OED/Scene 1 Decay Time	-64_+63	40
3000	31	1	00-7F	Scene 2 Knob1	-64_+63	40
3000	32	1	00-7F	Scene 2 Knob2	-64_+63	40
3000	33	1	00-7F	Scene 2 Cutoff Frequency	-64_+63	40
3000	34	1	00-7F	Scene 2 Resonance	-64_+63	40
3000	35	1	00-7F	Scene 2 Attack Time	-64_+63	40
3000	36	1	00-7F	Scene 2 Decay Time	-64_+63	40
3000	37	1	00-7F	Scene Control	0_127	00
3000	38	1	00-7F	OED Volume	0_127	7F
3000	39	1	00-7F	OED Reverb Send	0_127	7F
3000	3A	1	00-7F	OED Chorus Send	0_127	7F
3000	3B	1	00-5F	KN1 Control Number	off.1_95	10
3000	3C	1	00-5F	KN2 Control Number	off.1_95	11
3000	3D	1	00-5F	BC Control Number	off.1_95	02
3000	3E	1	00-5F	FC Control Number	off.1_95	04
3000	3F	1	00-5F	RB Control Number	off.1_95	16
3000	40	1	00-01	RB Mode	hold.reset	00
3000	41	1	00-7F	Insertion Effect Part for Normal/ AD/Phrase Clip	0-15: Part1 ... 16 64: PartAD 80: PartCL 127: off	00
3000	42	1	60-7F	Insertion Effect Part for Plug-In	96-97: PartP1,PartP2 127: off	60
3000	43	1	00-7F	Insertion Plug-in Part	0-15: Part1 ... 16 64: PartAD 80: PartCL 127: off	7F

TOTAL SIZE = 68 44 (HEX)

3001	00	2	00-7F	Reverb Type MSB	Refer to Effect Parameter List	Depends On Effect Type
3001	01	2	00-7F	Reverb Type LSB		
3001	02	2	00-7F	Reverb Parameter 1 MSB	#	#
3001	03	2	00-7F	Reverb Parameter 1 LSB		
3001	04	2	00-7F	Reverb Parameter 2 MSB	#	#
3001	05	2	00-7F	Reverb Parameter 2 LSB		
3001	06	2	00-7F	Reverb Parameter 3 MSB	#	#
3001	07	2	00-7F	Reverb Parameter 3 LSB		
3001	08	2	00-7F	Reverb Parameter 4 MSB	#	#
3001	09	2	00-7F	Reverb Parameter 4 LSB		
3001	0A	2	00-7F	Reverb Parameter 5 MSB	#	#
3001	0B	2	00-7F	Reverb Parameter 5 LSB		
3001	0C	2	00-7F	Reverb Parameter 6 MSB	#	#
3001	0D	2	00-7F	Reverb Parameter 6 LSB		
3001	0E	2	00-7F	Reverb Parameter 7 MSB	#	#
3001						

Address	Size	Data Range(HEX)	Parameter Name	Description	Default(HEX)	Notes
30 02 00	2	00 - 7F	Chorus Type MSB	Refer to Effect Parameter List		Depends On Effect Type
		00 - 7F	Chorus Type LSB			
30 02 02	2	00 - 7F	Chorus Parameter 1 MSB	"	"	
		00 - 7F	Chorus Parameter 1 LSB			
30 02 04	2	00 - 7F	Chorus Parameter 2 MSB	"	"	
		00 - 7F	Chorus Parameter 2 LSB			
30 02 06	2	00 - 7F	Chorus Parameter 3 MSB	"	"	
		00 - 7F	Chorus Parameter 3 LSB			
30 02 08	2	00 - 7F	Chorus Parameter 4 MSB	"	"	
		00 - 7F	Chorus Parameter 4 LSB			
30 02 0A	2	00 - 7F	Chorus Parameter 5 MSB	"	"	
		00 - 7F	Chorus Parameter 5 LSB			
30 02 0C	2	00 - 7F	Chorus Parameter 6 MSB	"	"	
		00 - 7F	Chorus Parameter 6 LSB			
30 02 0E	2	00 - 7F	Chorus Parameter 7 MSB	"	"	
		00 - 7F	Chorus Parameter 7 LSB			
30 02 10	2	00 - 7F	Chorus Parameter 8 MSB	"	"	
		00 - 7F	Chorus Parameter 8 LSB			
30 02 12	2	00 - 7F	Chorus Parameter 9 MSB	"	"	
		00 - 7F	Chorus Parameter 9 LSB			
30 02 14	2	00 - 7F	Chorus Parameter 10 MSB	"	"	
		00 - 7F	Chorus Parameter 10 LSB			
30 02 16	1	00 - 7F	Chorus Return	→dB_0dB_+6dB(0_96_127)	7F	
30 02 17	1	01 - 7F	Chorus Pan	L63_C_R63	40	
30 02 18	1	00 - 7F	Send Chorus To Reverb	→dB_0dB(0_127)	00	
TOTAL SIZE = 25 19 (HEX)						

Address	Size	Data Range(HEX)	Parameter Name	Description	Default(HEX)	Notes
30 03 00	2	00 - 7F	Insertion-1 Type MSB (for A/D Part)	Refer to Effect Parameter List		Depends On Effect Type
		00 - 7F	Insertion-1 Type LSB			
30 03 02	2	00 - 7F	Insertion-1 Parameter1 MSB	"	"	
		00 - 7F	Insertion-1 Parameter1 LSB			
30 03 04	2	00 - 7F	Insertion-1 Parameter2 MSB	"	"	
		00 - 7F	Insertion-1 Parameter2 LSB			
30 03 06	2	00 - 7F	Insertion-1 Parameter3 MSB	"	"	
		00 - 7F	Insertion-1 Parameter3 LSB			
30 03 08	2	00 - 7F	Insertion-1 Parameter4 MSB	"	"	
		00 - 7F	Insertion-1 Parameter4 LSB			
30 03 0A	2	00 - 7F	Insertion-1 Parameter5 MSB	"	"	
		00 - 7F	Insertion-1 Parameter5 LSB			
30 03 0C	2	00 - 7F	Insertion-1 Parameter6 MSB	"	"	
		00 - 7F	Insertion-1 Parameter6 LSB			
30 03 0E	2	00 - 7F	Insertion-1 Parameter7 MSB	"	"	
		00 - 7F	Insertion-1 Parameter7 LSB			
30 03 10	2	00 - 7F	Insertion-1 Parameter8 MSB	"	"	
		00 - 7F	Insertion-1 Parameter8 LSB			
30 03 12	2	00 - 7F	Insertion-1 Parameter9 MSB	"	"	
		00 - 7F	Insertion-1 Parameter9 LSB			
30 03 14	2	00 - 7F	Insertion-1 Parameter10 MSB	"	"	
		00 - 7F	Insertion-1 Parameter10 LSB			
TOTAL SIZE = 22 16 (HEX)						

Address	Size	Data Range(HEX)	Parameter Name	Description	Default(HEX)	Notes
30 04 00	2	00 - 7F	Insertion-2 Type MSB (for A/D Part)	Refer to Effect Parameter List		Depends On Effect Type
		00 - 7F	Insertion-2 Type LSB			
30 04 02	2	00 - 7F	Insertion-2 Parameter 1 MSB	"	"	
		00 - 7F	Insertion-2 Parameter 1 LSB			
30 04 04	2	00 - 7F	Insertion-2 Parameter 2 MSB	"	"	
		00 - 7F	Insertion-2 Parameter 2 LSB			
30 04 06	2	00 - 7F	Insertion-2 Parameter 3 MSB	"	"	
		00 - 7F	Insertion-2 Parameter 3 LSB			
30 04 08	2	00 - 7F	Insertion-2 Parameter 4 MSB	"	"	
		00 - 7F	Insertion-2 Parameter 4 LSB			
30 04 0A	2	00 - 7F	Insertion-2 Parameter 5 MSB	"	"	
		00 - 7F	Insertion-2 Parameter 5 LSB			
30 04 0C	2	00 - 7F	Insertion-2 Parameter 6 MSB	"	"	
		00 - 7F	Insertion-2 Parameter 6 LSB			
30 04 0E	2	00 - 7F	Insertion-2 Parameter 7 MSB	"	"	
		00 - 7F	Insertion-2 Parameter 7 LSB			
30 04 10	2	00 - 7F	Insertion-2 Parameter 8 MSB	"	"	
		00 - 7F	Insertion-2 Parameter 8 LSB			
30 04 12	2	00 - 7F	Insertion-2 Parameter 9 MSB	"	"	
		00 - 7F	Insertion-2 Parameter 9 LSB			
30 04 14	2	00 - 7F	Insertion-2 Parameter 10 MSB	"	"	
		00 - 7F	Insertion-2 Parameter 10 LSB			
30 04 16	2	00 - 7F	Insertion-2 Parameter 11 MSB	"	"	
		00 - 7F	Insertion-2 Parameter 11 LSB			
30 04 18	2	00 - 7F	Insertion-2 Parameter 12 MSB	"	"	
		00 - 7F	Insertion-2 Parameter 12 LSB			
30 04 1A	2	00 - 7F	Insertion-2 Parameter 13 MSB	"	"	
		00 - 7F	Insertion-2 Parameter 13 LSB			
30 04 1C	2	00 - 7F	Insertion-2 Parameter 14 MSB	"	"	
		00 - 7F	Insertion-2 Parameter 14 LSB			
30 04 1E	2	00 - 7F	Insertion-2 Parameter 15 MSB	"	"	
		00 - 7F	Insertion-2 Parameter 15 LSB			
30 04 20	2	00 - 7F	Insertion-2 Parameter 16 MSB	"	"	
		00 - 7F	Insertion-2 Parameter 16 LSB			
TOTAL SIZE = 34 22 (HEX)						

Address	Size	Data Range(HEX)	Parameter Name	Description	Default(HEX)	Notes
30 05 00	1	00 - 09	Controller Set1 Source (for A/D Part)	PB, MW1, ..., AT, FC, FS, RB, BC, KN1, KN2	00	
30 05 01	2	00 - 7F	Controller Set1 Destination MSB	0 - 29	00	
		00 - 1D	Controller Set1 Destination LSB			
30 05 03	1	00 - 7F	Controller Set1 Depth	-64 + 63	40	
30 05 04	1		reserved			
30 05 05	1	00 - 09	Controller Set2 Source	PB, MW1, ..., AT, FC, FS, RB, BC, KN1, KN2	00	
30 05 06	2	00 - 7F	Controller Set2 Destination MSB	0 - 29	00	
		00 - 1D	Controller Set2 Destination LSB			
30 05 08	1	00 - 7F	Controller Set2 Depth	-64 + 63	40	
30 05 09	1		reserved		00	
TOTAL SIZE = 10 0A (HEX)						

Address	Size	Data Range(HEX)	Parameter Name	Description	Default(HEX)	Notes
30 10 00	1	34 - 4C	EQ Gain1	-12 - +12[dB]	40	
30 10 01	1	04 - 28	EQ Frequency1	32 - 2000[Hz]	0C	
30 10 02	1	01 - 78	EQ Q1	0.1 - 12.0	07	
30 10 03	1	00 - 01	EQ Shape1	shelvy.peak	00	
30 10 04	1	34 - 4C	EQ Gain2	-12 - +12[dB]	40	
30 10 05	1	0E - 36	EQ Frequency2	100 - 10.0[kHz]	1C	
30 10 06	1	01 - 78	EQ Q2	0.1 - 12.0	07	
			Not Used			
30 10 08	1	34 - 4C	EQ Gain3	-12 - +12[dB]	40	
30 10 09	1	0E - 36	EQ Frequency3	100 - 10.0[kHz]	22	
30 10 0A	1	01 - 78	EQ Q3	0.1 - 12.0	07	
			Not Used			
30 10 0C	1	34 - 4C	EQ Gain4	-12 - +12[dB]	40	
30 10 0D	1	0E - 36	EQ Frequency4	100 - 10.0[kHz]	2E	
30 10 0E	1	01 - 78	EQ Q4	0.1 - 12.0	07	
			Not Used			
30 10 10	1	34 - 4C	EQ Gain5	-12 - +12[dB]	40	
30 10 11	1	1C - 3A	EQ Frequency5	0.5 - 16.0[kHz]	34	
30 10 12	1	01 - 78	EQ Q5	0.1 - 12.0	07	
30 10 13	1	00 - 01	EQ Shape5	shelvy.peak	00	
TOTAL SIZE = 20 14 (HEX)						

Address	Size	Data Range(HEX)	Parameter Name	Description	Default(HEX)	Notes
30 20 00	16	00 - 7F	Plug-in Board Native System Parameter	(for InSEF Plug-in)		depends on Plug-in Board
30 20 10	48	00 - 7F	Plug-in Board Native Parameter	(for InSEF Plug-in)		depends on Plug-in Board
30 20 40	3	00 - 7F	Plug-in Board Type MSB	(for InSEF Plug-in)		depends on Plug-in Board
		00 - 7F	Plug-in Board Type LSB			
		00 - 7F	Plug-in Board Version Number			
43	1	00 - 7F	reserved			
TOTAL SIZE = 68 44 (HEX)						

<Table 6>  
MIDI PARAMETER CHANGE TABLE (PERFORMANCE PART)

Address	Size	Data Range(HEX)	Parameter Name	Description	Default(HEX)	Notes
31 pp 00	1	00 - 7F	Bank Select MSB	0 - 127	00	
31 pp 01	1	00 - 7F	Bank Select LSB	0 - 127	00	
31 pp 02	1	00 - 7F	Program Number	1 - 128	00	
31 pp 03	1	00 - 0F, 7F	Receive Channel	1, 16 off(7F)		Part No.
31 pp 04	1	00 - 01	Part Mode	mono.poly	01	Part1-16_ P1/2
31 pp 05	1	01 - 7F	Velocity Limit Low	1 - 127	01	Part1-16.CL.P1/2
31 pp 06	1	01 - 7F	Velocity Limit High	1 - 127	7F	Part1-16.CL.P1/2
31 pp 07	1	00 - 7F	Note Limit Low	C-2 - G8	00	Part1-16.CL.P1/2
31 pp 08	1	00 - 7F	Note Limit High	C-2 - G8	7F	Part1-16.CL.P1/2
31 pp 09	1	10 - 58	Pitch Bend Range Upper	-48 + 24	40	Part1-16.CL.P1/2
31 pp 0A	1	10 - 58	Pitch Bend Range Lower	-48 + 24	40	Part1-16.CL
31 pp 0B	1	00 - 7F	Velocity Sense Depth	0 - 127	40	Part1-16.CL.P1/2
31 pp 0C	1	00 - 7F	Velocity Send Offset	0 - 127	40	Part1-16.CL.P1/2
31 pp 0D	1	00 - 7F	Volume	0 - 127	64	
31 pp 0E	1	01 - 7F	Pan	L63 - C - R63	40	
31 pp 0F	1		reserved			
31 pp 10	2	00 - 0F	Detune MSB	-12.8 - +12.7[Hz]		08 00 (80) Part1-16.CL.P1/2
		00 - 0F	Detune LSB	1st bit:0 - → bit7-4 2nd bit:3-0 → bit3-0		
31 pp 12	1	00 - 7F	Reverb Send	0 - 127	28	
31 pp 13	1	00 - 7F	Chorus Send	0 - 127	00	
31 pp 14	1		reserved		00	
31 pp 15	1	28 - 58	Note Shift	-24 + 24[semitones]	40	Part1-16.CL.P1/2
31 pp 16	1	00 - 7F	Filter Cutoff Frequency	-64 + 63	40	Part1-16.CL.P1/2
31 pp 17	1	00 - 7F	Filter Resonance/Width	-64 + 63	40	Part1-16.CL.P1/2
31 pp 18	1		reserved		40	
31 pp 19	1	00 - 01	Portamento Switch	off.on	00	Part1-16.P1/2
31 pp 1A	1	00 - 7F	Portamento Time	0 - 127	40	Part1-16.P1/2
31 pp 1B	1	00 - 01	Portamento Mode	fingered.fulltime	00	Part1-16
31 pp 1C	1	00 - 7F	Output Select	0: L&R 8: ind1&2 64 - 69: ind1 - ind6 127: drum	00	
31 pp 1D	1	00 - 7F	Layer Sw Arpeggio Sw Receive Control Change Receive Bank Select Receive Program Change Receive AT Receive PB	bit0: Layer Sw off.on bit1: Arpeggio Sw off.on bit2: off.on Control Change bit3: off.on Bank Select bit4: off.on Program Change bit5: off.on AT bit6: off.on PB	7C	Part1-on_ Other:off Part1-16.CL.P1/2
31 pp 1E	1	00 - 7F	Receive Volume/Expression Receive Pan Receive RB Receive BC Receive Knob1 Receive Knob2	bit0: off.on Volume/Expression bit1: off.on Pan bit2: reserved bit3: off.on Sustain/Sostenute bit4: reserved bit5: off.on MW bit6: reserved	7F	
31 pp 1F	1	00 - 7F	Receive FC Receive FS Receive RB Receive BC Receive Knob1 Receive Knob2	bit0: off.on FC bit1: off.on FS bit2: off.on RB bit3: off.on BC bit4: off.on KN1 bit5: off.on KN2 bit6: reserved	7F	
31 pp 20	1	00 - 7F	AEG Decay2 Level (EG Sustain Level)	-64 + 63	40	Part1-16.CL
31 pp 21	1	00 - 7F	AEG Attack Time (EG Attack Time)	-64 + 63	40	Part1-16.CL.P1/2
31 pp 22	1		reserved		40	
31 pp 23	1	00 - 7F	AEG Decay2 Time (EG Decay Time)	-64 + 63	40	Part1-16.CL.P1/2
31 pp 24	1	00 - 7F	AEG Release Time (EG Release Time)	-64 + 63	40	Part1-16.CL.P1/2
TOTAL SIZE = 37 25 (HEX)						

pp = part number  
00 - 0F Part 1 - 16  
40 Part A/D  
50 Part Phrase Clip  
60 Part Plug-in 1  
61 Part Plug-in 2

<Table 7>  
MIDI PARAMETER CHANGE TABLE (MASTER KEYBOARD ZONE) cS6x, S80 only

Address	Size	Data Range(HEX)	Parameter Name	Description	Default(HEX)	Notes
32 nn 00	1	00 - 3F	Transmit Channel, MIDI/TG Switch	bit0-3: Ch1_16 bit4: MIDI off.on bit5: TG off.on		Zone1-30_ Other:00

<Table 8>

**MIDI PARAMETER CHANGE TABLE (NORMAL VOICE COMMON)**

Address	Size	Data Range(HEX)	Parameter Name	Description	Default(HEX)	Notes
40 70 00	1	20 - 7E	Voice Name1	32_126(ASCII)	i	
40 70 01	1	20 - 7E	Voice Name2	32_126(ASCII)	n	
40 70 02	1	20 - 7E	Voice Name3	32_126(ASCII)	i	
40 70 03	1	20 - 7E	Voice Name4	32_126(ASCII)	i	
40 70 04	1	20 - 7E	Voice Name5	32_126(ASCII)	v	
40 70 05	1	20 - 7E	Voice Name6	32_126(ASCII)	v	
40 70 06	1	20 - 7E	Voice Name7	32_126(ASCII)	o	
40 70 07	1	20 - 7E	Voice Name8	32_126(ASCII)	i	
40 70 08	1	20 - 7E	Voice Name9	32_126(ASCII)	c	
40 70 09	1	20 - 7E	Voice Name10	32_126(ASCII)	e	
40 70 0A	1		reserved			
40 70 0B	1		reserved			
40 70 0C	1	00 - 16	Voice Category	00_22(-..Sq)	00(-)	
40 70 0D	1		reserved			
40 70 0E	1		reserved			
40 70 0F	1		reserved			
40 70 10	1		reserved			
40 70 11	1		reserved			
40 70 12	1		reserved			
40 70 13	1	00 - 7F	ARP Tip	UjOqt1 - GateCut3	00	
40 70 14	1	00 - 01	ARP Switch	off.on	00	
40 70 15	1	00 - 02	ARP Hold	svnc-off.off.on	01	
40 70 16	1	00 - 06	ARP Unit Multiply	50%,66%,75%,100%,133%,150%,200%	03	
40 70 17	1	00 - 7F	ARP Note Limit Low	C-2_G8	00	
40 70 18	1	00 - 7F	ARP Note Limit High	C-2_G8	7F	
40 70 19	1	00 - 02	ARP Key Mode	sort.thru.direct	01	
40 70 1A	1	00 - 01	ARP Vel Mode	original.thru	01	
40 70 1B	2	0000 - 00C8	ARP Velocity Rate MSB ARP Velocity Rate LSB	0..200%	64	
40 70 1D	2	0000 - 00C8	ARP Gate Time Rate MSB ARP Gate Time Rate LSB	0..200%	64	
40 70 1F	2	0019 - 012C	ARP Tempo MSB ARP Tempo LSB	25..300	8A	
40 70 21	1	01 - 7F	OED Pan	L63_C_R63	40	
40 70 22	1		reserved			
40 70 23	1	00 - 7F	OED Chorus Control	-64..+63	40	
40 70 24	1	00 - 7F	OED Release Time	-64..+63	40	
40 70 25	1	00 - 7F	OED Sustain Level	-64..+63	40	
40 70 26	1		reserved			
40 70 27	1		reserved			
40 70 28	1	00 - 7F	OED KnobA	-64..+63	40	
40 70 29	1	00 - 7F	OED KnobB	-64..+63	40	
40 70 2A	1	00 - 7F	OED KnobC	-64..+63	40	
40 70 2B	1	00 - 7F	OED/Scene 1 Knob1	-64..+63	40	
40 70 2C	1	00 - 7F	OED/Scene 1 Knob2	-64..+63	40	
40 70 2D	1	00 - 7F	OED/Scene 1 Cutoff Frequency	-64..+63	40	
40 70 2E	1	00 - 7F	OED/Scene 1 Resonance	-64..+63	40	
40 70 2F	1	00 - 7F	OED/Scene 1 Attack Time	-64..+63	40	
40 70 30	1	00 - 7F	OED/Scene 1 Decay Time	-64..+63	40	
40 70 31	1	00 - 7F	Scene 2 Knob1	-64..+63	40	
40 70 32	1	00 - 7F	Scene 2 Knob2	-64..+63	40	
40 70 33	1	00 - 7F	Scene 2 Cutoff Frequency	-64..+63	40	
40 70 34	1	00 - 7F	Scene 2 Resonance	-64..+63	40	
40 70 35	1	00 - 7F	Scene 2 Attack Time	-64..+63	40	
40 70 36	1	00 - 7F	Scene 2 Decay Time	-64..+63	40	
40 70 37	1	00 - 7F	Scene Control	0..127	00	

TOTAL SIZE = 56 38 (HEX)

40 00 00	1	00 - 7F	Volume	0 - 127	64	
40 00 01	1	00 - 0F	Element Switch	BIT3:EL4, BIT2:EL3, BIT1:EL2, BIT0:EL1	01	
40 00 02	1	00 - 01	Same Note Number Key On Assign	single_multi	01	
40 00 03	1	00 - 01	Mono/Poly Mode	mono_poly	01	
40 00 04	1	00 - 1F	Micro Tuning	Equal - Indign	00	
40 00 05	1	10 - 58	Pitch Bend Range Upper	-48 - +24[semitones]	42	
40 00 06	1	10 - 58	Pitch Bend Range Lower	-48 - +24[semitones]	3E	
40 00 07	1	00 - 01	Portamento Mode	fingered.fulltime	00	
40 00 08	1	00 - 01	Portamento Switch	off.on	00	
40 00 09	1	00 - 7F	Portamento Time	0 - 127	00	
40 00 0A	1	00 - 02	Insertion Connect Type	1[2(Parallel), 1->2, 2->1	00	
40 00 0B	1	00 - 7F	Reverb Send	-->dB..0dB	00	
40 00 0C	1	00 - 7F	Chorus Send	-->dB..0dB	00	

TOTAL SIZE = 13 0D (HEX)

40 01 00	2	00 - 7F	Reverb Type MSB	Refer to Effect Parameter List	0100	
40 01 01	1	00 - 7F	Reverb Type LSB			
40 01 02	2	00 - 7F	Reverb Parameter 1 MSB	#	Depends On Effect Type	
40 01 03	1	00 - 7F	Reverb Parameter 1 LSB			
40 01 04	2	00 - 7F	Reverb Parameter 2 MSB	#		
40 01 05	1	00 - 7F	Reverb Parameter 2 LSB			
40 01 06	2	00 - 7F	Reverb Parameter 3 MSB	#		
40 01 07	1	00 - 7F	Reverb Parameter 3 LSB			
40 01 08	2	00 - 7F	Reverb Parameter 4 MSB	#		
40 01 09	1	00 - 7F	Reverb Parameter 4 LSB			
40 01 0A	2	00 - 7F	Reverb Parameter 5 MSB	#		
40 01 0B	1	00 - 7F	Reverb Parameter 5 LSB			
40 01 0C	2	00 - 7F	Reverb Parameter 6 MSB	#		
40 01 0D	1	00 - 7F	Reverb Parameter 6 LSB			
40 01 0E	2	00 - 7F	Reverb Parameter 7 MSB	#		
40 01 0F	1	00 - 7F	Reverb Parameter 7 LSB			
40 01 10	2	00 - 7F	Reverb Parameter 8 MSB	#		
40 01 11	1	00 - 7F	Reverb Parameter 8 LSB			
40 01 12	2	00 - 7F	Reverb Parameter 9 MSB	#		
40 01 13	1	00 - 7F	Reverb Parameter 9 LSB			
40 01 14	2	00 - 7F	Reverb Parameter 10 MSB	#		
40 01 15	1	00 - 7F	Reverb Parameter 10 LSB			
40 01 16	1	00 - 7F	Reverb Return	-->dB..0dB..+6dB(0..96..127)	40	
40 01 17	1	01 - 7F	Reverb Pan	L63..C..R63	40	

TOTAL SIZE = 24 18 (HEX)

40 02 00	2	00 - 7F	Chorus Type MSB	Refer to Effect Parameter List	0500	
40 02 01	1	00 - 7F	Chorus Type LSB			
40 02 02	2	00 - 7F	Chorus Parameter 1 MSB	#	Depends On Effect Type	
40 02 03	1	00 - 7F	Chorus Parameter 1 LSB			
40 02 04	2	00 - 7F	Chorus Parameter 2 MSB	#		
40 02 05	1	00 - 7F	Chorus Parameter 2 LSB			
40 02 06	2	00 - 7F	Chorus Parameter 3 MSB	#		
40 02 07	1	00 - 7F	Chorus Parameter 3 LSB			
40 02 08	2	00 - 7F	Chorus Parameter 4 MSB	#		
40 02 09	1	00 - 7F	Chorus Parameter 4 LSB			
40 02 0A	2	00 - 7F	Chorus Parameter 5 MSB	#		
40 02 0B	1	00 - 7F	Chorus Parameter 5 LSB			
40 02 0C	2	00 - 7F	Chorus Parameter 6 MSB	#		
40 02 0D	1	00 - 7F	Chorus Parameter 6 LSB			
40 02 0E	2	00 - 7F	Chorus Parameter 7 MSB	#		
40 02 0F	1	00 - 7F	Chorus Parameter 7 LSB			
40 02 10	2	00 - 7F	Chorus Parameter 8 MSB	#		
40 02 11	1	00 - 7F	Chorus Parameter 8 LSB			
40 02 12	2	00 - 7F	Chorus Parameter 9 MSB	#		
40 02 13	1	00 - 7F	Chorus Parameter 9 LSB			
40 02 14	2	00 - 7F	Chorus Parameter 10 MSB	#		
40 02 15	1	00 - 7F	Chorus Parameter 10 LSB			
40 02 16	1	00 - 7F	Chorus Return	-->dB..0dB..+6dB(0..96..127)	40	
40 02 17	1	01 - 7F	Chorus Pan	L63..C..R63	40	
40 02 18	1	00 - 7F	Send Chorus To Reverb	-->dB..0dB(0..127)	00	

TOTAL SIZE = 25 19 (HEX)

Address	Size	Data Range(HEX)	Parameter Name	Description	Default(HEX)	Notes
40 03 00	2	00 - 7F	Insertion-1 Type MSB	Refer to Effect Parameter List	0000	
40 03 01	1	00 - 7F	Insertion-1 Type LSB			
40 03 02	2	00 - 7F	Insertion-1 Parameter1 MSB	#	Depends On Effect Type	
40 03 03	1	00 - 7F	Insertion-1 Parameter1 LSB			
40 03 04	2	00 - 7F	Insertion-1 Parameter2 MSB	#		
40 03 05	1	00 - 7F	Insertion-1 Parameter2 LSB			
40 03 06	2	00 - 7F	Insertion-1 Parameter3 MSB	#		
40 03 07	1	00 - 7F	Insertion-1 Parameter3 LSB			
40 03 08	2	00 - 7F	Insertion-1 Parameter4 MSB	#		
40 03 09	1	00 - 7F	Insertion-1 Parameter4 LSB			
40 03 0A	2	00 - 7F	Insertion-1 Parameter5 MSB	#		
40 03 0B	1	00 - 7F	Insertion-1 Parameter5 LSB			
40 03 0C	2	00 - 7F	Insertion-1 Parameter6 MSB	#		
40 03 0D	1	00 - 7F	Insertion-1 Parameter6 LSB			
40 03 0E	2	00 - 7F	Insertion-1 Parameter7 MSB	#		
40 03 0F	1	00 - 7F	Insertion-1 Parameter7 LSB			
40 03 10	2	00 - 7F	Insertion-1 Parameter8 MSB	#		
40 03 11	1	00 - 7F	Insertion-1 Parameter8 LSB			
40 03 12	2	00 - 7F	Insertion-1 Parameter9 MSB	#		
40 03 13	1	00 - 7F	Insertion-1 Parameter9 LSB			
40 03 14	2	00 - 7F	Insertion-1 Parameter10 MSB	#		
40 03 15	1	00 - 7F	Insertion-1 Parameter10 LSB			

TOTAL SIZE = 22 16 (HEX)

40 04 00	2	00 - 7F	Insertion-2 Type MSB	Refer to Effect Parameter List	0000	
40 04 01	1	00 - 7F	Insertion-2 Type LSB			
40 04 02	2	00 - 7F	Insertion-2 Parameter 1 MSB	#	Depends On Effect Type	
40 04 03	1	00 - 7F	Insertion-2 Parameter 1 LSB			
40 04 04	2	00 - 7F	Insertion-2 Parameter 2 MSB	#		
40 04 05	1	00 - 7F	Insertion-2 Parameter 2 LSB			
40 04 06	2	00 - 7F	Insertion-2 Parameter 3 MSB	#		
40 04 07	1	00 - 7F	Insertion-2 Parameter 3 LSB			
40 04 08	2	00 - 7F	Insertion-2 Parameter 4 MSB	#		
40 04 09	1	00 - 7F	Insertion-2 Parameter 4 LSB			
40 04 0A	2	00 - 7F	Insertion-2 Parameter 5 MSB	#		
40 04 0B	1	00 - 7F	Insertion-2 Parameter 5 LSB			
40 04 0C	2	00 - 7F	Insertion-2 Parameter 6 MSB	#		
40 04 0D	1	00 - 7F	Insertion-2 Parameter 6 LSB			
40 04 0E	2	00 - 7F	Insertion-2 Parameter 7 MSB	#		
40 04 0F	1	00 - 7F	Insertion-2 Parameter 7 LSB			
40 04 10	2	00 - 7F	Insertion-2 Parameter 8 MSB	#		
40 04 11	1	00 - 7F	Insertion-2 Parameter 8 LSB			
40 04 12	2	00 - 7F	Insertion-2 Parameter 9 MSB	#		
40 04 13	1	00 - 7F	Insertion-2 Parameter 9 LSB			
40 04 14	2	00 - 7F	Insertion-2 Parameter 10 MSB	#		
40 04 15	1	00 - 7F	Insertion-2 Parameter 10 LSB			
40 04 16	2	00 - 7F	Insertion-2 Parameter 11 MSB	#		
40 04 17	1	00 - 7F	Insertion-2 Parameter 11 LSB			
40 04 18	2	00 - 7F	Insertion-2 Parameter 12 MSB	#		
40 04 19	1	00 - 7F	Insertion-2 Parameter 12 LSB			
40 04 1A	2	00 - 7F	Insertion-2 Parameter 13 MSB	#		
40 04 1B	1	00 - 7F	Insertion-2 Parameter 13 LSB			
40 04 1C	2	00 - 7F	Insertion-2 Parameter 14 MSB	#		
40 04 1D	1	00 - 7F	Insertion-2 Parameter 14 LSB			
40 04 1E	2	00 - 7F	Insertion-2 Parameter 15 MSB	#		
40 04 1F	1	00 - 7F	Insertion-2 Parameter 15 LSB			
40 04 20	2	00 - 7F	Insertion-2 Parameter 16 MSB	#		
40 04 21	1	00 - 7F	Insertion-2 Parameter 16 LSB			

TOTAL SIZE = 34 22 (HEX)

40 05 00	1	00 - 09	Controller Set1 Source	PB, MW, ..., AT, FC, FS, RB, BC, KN1, KN2	00	
40 05 01	2	00	Controller Set1 Destination MSB	0 - 61	00	
40 05 02	1	00 - 3D	Controller Set1 Destination LSB			
40 05 03	1	00 - 7F	Controller Set1 Depth	-64..+63	40	
40 05 04	1	00 - 0F	Controller Set1 Element Switch	BIT0:EL1, BIT1:EL2, BIT2:EL3, BIT3:EL4	00	
40 05 05	1	00 - 09	Controller Set2 Source	PB, MW, ..., AT, FC, FS, RB, BC, KN1, KN2	00	
40 05 06	2	00	Controller Set2 Destination MSB	0 - 61	00	
40 05 07	1	00 - 3D	Controller Set2 Destination LSB			
40 05 08	1	00 - 7F	Controller Set2 Depth	-64..+63	40	
40 05 09	1	00 - 0F	Controller Set2 Element Switch	BIT0:EL1, BIT1:EL2, BIT2:EL3, BIT3:EL4	00	
40 05 0A	1	00 - 09	Controller Set3 Source	PB, MW, ..., AT, FC, FS, RB, BC, KN1, KN2	00	
40 05 0B	2	00	Controller Set3 Destination MSB	0 - 61	00	
40 05 0C	1	00 - 3D	Controller Set3 Destination LSB			
40 05 0D	1	00 - 7F	Controller Set3 Depth	-64..+63	40	
40 05 0E	1	00 - 0F	Controller Set3 Element Switch	BIT0:EL1, BIT1:EL2, BIT2:EL3, BIT3:EL4	00	
40 05 0F	1	00 - 09	Controller Set4 Source	PB, MW, ..., AT, FC, FS, RB, BC		

Address	Size	Data Range(HEX)	Parameter Name	Description	Default(HEX)	Notes
41 ee 20	1	00-7F	Element Level	0-127	64	
41 ee 21	1	00-7F	Level Velocity Sensitivity	-64-+63	40	
41 ee 22	1	00	reserved		00	
41 ee 23	1	00-7F	AEG Attack Time	0-127	00	
41 ee 24	1	00-7F	AEG Decay1 Time	0-127	00	
41 ee 25	1	00-7F	AEG Decay2 Time	0-127	00	
41 ee 26	1	00-7F	AEG Release Time	0-127	40	
41 ee 27	1	00-7F	AEG Init Level	0-127	00	
41 ee 28	1	00	reserved		00	
41 ee 29	1	00-7F	AEG Decay1 Level	0-127	7F	
41 ee 2A	1	00-7F	AEG Sustain Level	0-127	7F	
41 ee 2B	1	00	reserved		00	
41 ee 2C	1	00-01	AEG Time Velocity Segment	attack.all	01	
41 ee 2D	1	00-7F	AEG Time Velocity Sensitivity	-64-+63	40	
41 ee 2E	1	00-7F	Level Key Follow Sensitivity	-200%-+200%	40	
41 ee 2F	1	00-7C	Level Scaling Break Point 1	C-2-E8	24	BP1<BP2<BP3<BP4
41 ee 30	1	01-7D	Level Scaling Break Point 2	C8-2-F8	30	BP1<BP2<BP3<BP4
41 ee 31	1	02-7E	Level Scaling Break Point 3	D-2-F#8	3C	BP1<BP2<BP3<BP4
41 ee 32	1	03-7F	Level Scaling Break Point 4	D#-2-G8	48	BP1<BP2<BP3<BP4
41 ee 33	2	00-01	Level Scaling Offset 1	-128-+127	01 00	
41 ee 35	2	00-01	Level Scaling Offset 2	-128-+127	01 00	
41 ee 37	2	00-01	Level Scaling Offset 3	-128-+127	01 00	
41 ee 39	2	00-01	Level Scaling Offset 4	-128-+127	01 00	
41 ee 3B	1	00-7F	AEG Time Key Follow Sensitivity	-64-+63	40	
41 ee 3C	1	00-7F	AEG Time Key Follow Center Note	C-2-G8	3C	

TOTAL SIZE = 29 1D (HEX)

42 ee 00	1	10-70	Coarse Time	-48-+48	40	
42 ee 01	1	00-7F	Fine Time	-64-+63	40	
42 ee 02	1	00	reserved		00	
42 ee 03	1	00-7F	Random Pitch Depth	0-127	00	
42 ee 04	1	00-7F	PEG Hold Time	0-127	00	
42 ee 05	1	00-7F	PEG Attack Time	0-127	00	
42 ee 06	1	00-7F	PEG Decay1 Time	0-127	00	
42 ee 07	1	00-7F	PEG Decay2 Time	0-127	00	
42 ee 08	1	00-7F	PEG Release Time	0-127	00	
42 ee 09	2	00-01	PEG Hold Level	-128-+127 (-4800-+4800[cent])	01 00	
42 ee 0B	2	00-01	PEG Attack Level	-128-+127 (-4800-+4800[cent])	01 00	
42 ee 0D	2	00-01	PEG Decay1 Level	-128-+127 (-4800-+4800[cent])	01 00	
42 ee 0F	2	00-01	PEG Sustain Level	-128-+127 (-4800-+4800[cent])	01 00	
42 ee 11	2	00-01	PEG Release Level	-128-+127 (-4800-+4800[cent])	01 00	
42 ee 13	1	00-7F	PEG Depth	-64-+63	40	
42 ee 14	1	00-01	PEG Time Velocity Segment	attack.all	01	
42 ee 15	1	00-7F	PEG Time Velocity Sensitivity	-64-+63	40	
42 ee 16	1	00-7F	PEG Level Velocity Sensitivity	-64-+63	40	
42 ee 17	1	00-7F	Pitch Key Follow Sensitivity	-200%-+200%	60	
42 ee 18	1	00-7F	Pitch Key Follow Center Note	C-2-G8	3C	
42 ee 19	1	00-7F	PEG Time Key Follow Sensitivity	-64-+63	40	
42 ee 1A	1	00-7F	PEG Time Key Follow Center Note	C-2-G8	3C	

TOTAL SIZE = 27 1B (HEX)

43 ee 00	1	00-0C	Filter Type	LPF12+HPF,LPF24D,LPF24L,LPF18,LPF18s,LPF4+HPF,HPF24D,HPF12,BPF6,BPF12D,BPFw,BPF,THRU	02	
43 ee 01	2	00-01	Filter Cutoff Frequency	0-255	01 7F	
43 ee 03	1	00-7F	Filter Cutoff Velocity Sensitivity	-64-+63	40	
43 ee 04	1	00-1F	Filter Resonance/Width/Band	0-31	04	
43 ee 05	1	00-7F	Filter Resonance Velocity Sensitivity	-64-+63	40	
43 ee 06	2	00-01	HPF Cutoff Frequency	0-255	00 00	
43 ee 08	1	40	reserved		40	
43 ee 09	2	00-00	reserved		00 00	
43 ee 0B	2	00-01	Filter Gain	0-255	01 7F	
43 ee 0D	1	00-7F	FEQ Hold Time	0-127	00	
43 ee 0E	1	00-7F	FEQ Attack Time	0-127	00	
43 ee 0F	1	00-7F	FEQ Decay1 Time	0-127	00	
43 ee 10	1	00-7F	FEQ Decay2 Time	0-127	00	
43 ee 11	1	00-7F	FEQ Release Time	0-127	00	
43 ee 12	2	00-01	FEQ Hold Level	-128-+127 (-9600-+9600[cent])	01 00	
43 ee 14	2	00-01	FEQ Attack Level	-128-+127 (-9600-+9600[cent])	01 00	
43 ee 16	2	00-01	FEQ Decay1 Level	-128-+127 (-9600-+9600[cent])	01 00	
43 ee 18	2	00-01	FEQ Sustain Level	-128-+127 (-9600-+9600[cent])	01 00	
43 ee 1A	2	00-01	FEQ Release Level	-128-+127 (-9600-+9600[cent])	01 00	
43 ee 1C	1	00-7F	FEQ Depth	-64-+63	40	
43 ee 1D	1	00-01	FEQ Time Velocity Segment	attack.all	00	
43 ee 1E	1	00-7F	FEQ Time Velocity Sensitivity	-64-+63	40	
43 ee 1F	1	00-7F	FEQ Level Velocity Sensitivity	-64-+63	40	
43 ee 20	1	00-7F	Filter Cutoff Key Follow Sensitivity	-200%-+200%	40	
43 ee 21	1	00-7C	Filter Cutoff Scaling Break Point 1	C-2-E8	24	BP1<BP2<BP3<BP4
43 ee 22	1	01-7D	Filter Cutoff Scaling Break Point 2	C8-2-F8	30	BP1<BP2<BP3<BP4
43 ee 23	1	02-7E	Filter Cutoff Scaling Break Point 3	D-2-F#8	3C	BP1<BP2<BP3<BP4
43 ee 24	1	03-7F	Filter Cutoff Scaling Break Point 4	D#-2-G8	48	BP1<BP2<BP3<BP4
43 ee 25	2	00-01	Filter Cutoff Scaling Offset 1	-128-+127	01 00	
43 ee 27	2	00-01	Filter Cutoff Scaling Offset 2	-128-+127	01 00	
43 ee 29	2	00-01	Filter Cutoff Scaling Offset 3	-128-+127	01 00	
43 ee 2B	2	00-01	Filter Cutoff Scaling Offset 4	-128-+127	01 00	
43 ee 2D	1	00-7F	HPF Cutoff Key Follow Sensitivity	-200%-+200%	40	
43 ee 2E	1	00-7F	FEQ Time Key Follow Sensitivity	-64-+63	40	
43 ee 2F	1	00-7F	FEQ Time Key Follow Center Note	C-2-G8	3C	

TOTAL SIZE = 48 30 (HEX)

44 ee 00	1	00-05	EQ Type	EQ LH, PEQ, Boost, Boost12, Boost18, thru	00	
44 ee 01	1	00-1F	EQ Resonance	0-31	00	
44 ee 02	2	00-01	EQ 1 Frequency	EQ LH: 46-182, PEQ: 83-251	00 53	
44 ee 04	1	20-60	EQ 1 Gain	-32-+32	40	
44 ee 05	2	00-01	EQ 2 Frequency	EQ LH: 131-241	01 71	
44 ee 07	1	20-60	EQ 2 Gain	-32-+32	40	

TOTAL SIZE = 8 08 (HEX)

44 ee 40	1	00-02	LFO Wave	saw,tri,sqr	00	
44 ee 41	1	00-01	LFO Key On Sync	off.on	00	
44 ee 42	1	00-3F	LFO Speed	0-63	20	
44 ee 43	1	00-7F	LFO AmMod Depth	0-127	00	
44 ee 44	1	00-7F	LFO FMMod Depth	0-127	00	
44 ee 45	1	00-7F	LFO FMod Depth	0-127	00	

TOTAL SIZE = 6 06 (HEX)

ee = Element Number (00.03 Element1..4)

<Table 9>

MIDI PARAMETER CHANGE TABLE (DRUM VOICE COMMON)

Address	Size	Data Range(HEX)	Parameter Name	Description	Default(HEX)	Notes
46 70 00	1	20-7E	Voice Name1	32_126(ASCII)	l	
46 70 01	1	20-7E	Voice Name2	32_126(ASCII)	n	
46 70 02	1	20-7E	Voice Name3	32_126(ASCII)	i	
46 70 03	1	20-7E	Voice Name4	32_126(ASCII)	t	
46 70 04	1	20-7E	Voice Name5	32_126(ASCII)		
46 70 05	1	20-7E	Voice Name6	32_126(ASCII)	v	
46 70 06	1	20-7E	Voice Name7	32_126(ASCII)	p	
46 70 07	1	20-7E	Voice Name8	32_126(ASCII)	j	
46 70 08	1	20-7E	Voice Name9	32_126(ASCII)	e	
46 70 09	1	20-7E	Voice Name10	32_126(ASCII)	c	
46 70 0A	1		reserved		e	
46 70 0B	1		reserved		e	
46 70 0C	1	00-16	Voice Category	00_22(..._Sq)	00(-)	
46 70 0D	1		reserved			
46 70 0E	1		reserved			
46 70 0F	1		reserved			
46 70 10	1		reserved			
46 70 11	1		reserved			
46 70 12	1		reserved			
46 70 13	1	00-7F	ARP Type	UpOct1 - GateCut3	57	
46 70 14	1	00-01	ARP Switch	off.on	00	
46 70 15	1	00-02	ARP Hold	sync.off.off.on	01	
46 70 16	1	00-06	ARP Unit Multiply	50%,66%,75%,100%,133%,150%,200%	03	
46 70 17	1	00-7F	ARP Note Limit Low	C-2_G8	00	
46 70 18	1	00-7F	ARP Note Limit High	C-2_G8	7F	
46 70 19	1	00-02	ARP Key Mode	sort.thru.direct	01	
46 70 1A	1	00-01	ARP Vel Mode	original.thru	01	
46 70 1B	2	0000-00C8	ARP Velocity Rate MSB	0-200%	64	
46 70 1C	2	0000-00C8	ARP Velocity Rate LSB			
46 70 1D	2	0000-00C8	ARP Gate Time Rate MSB	0-200%	64	
46 70 1E	2	0000-00C8	ARP Gate Time Rate LSB			
46 70 1F	2	0019-012C	ARP Tempo MSB	25_300	8A	
46 70 20	2	0019-012C	ARP Tempo LSB			
46 70 21	1	01-7F	QED Pan	L63_C_R63	40	
46 70 22	1		reserved		40	
46 70 23	1	00-7F	QED Chorus Control	-64-+63	40	
46 70 24	1		reserved		40	
46 70 25	1		reserved		40	
46 70 26	1		reserved		40	
46 70 27	1		reserved		00	
46 70 28	1	00-7F	QED KnobA	-64-+63	40	
46 70 29	1	00-7F	QED KnobB	-64-+63	40	
46 70 2A	1	00-7F	QED KnobC	-64-+63	40	
46 70 2B	1	00-7F	QED/Scene 1 Knob1	-64-+63	40	
46 70 2C	1	00-7F	QED/Scene 1 Knob2	-64-+63	40	
46 70 2D	1	00-7F	QED/Scene 1 Cutoff Frequency	-64-+63	40	
46 70 2E	1	00-7F	QED/Scene 1 Resonance	-64-+63	40	
46 70 2F	1	00-7F	QED/Scene 1 Attack Time	-64-+63	40	
46 70 30	1	00-7F	QED/Scene 1 Decay Time	-64-+63	40	
46 70 31	1	00-7F	Scene 2 Knob1	-64-+63	40	
46 70 32	1	00-7F	Scene 2 Knob2	-64-+63	40	
46 70 33	1	00-7F	Scene 2 Cutoff Frequency	-64-+63	40	
46 70 34	1	00-7F	Scene 2 Resonance	-64-+63	40	
46 70 35	1	00-7F	Scene 2 Attack Time	-64-+63	40	
46 70 36	1	00-7F	Scene 2 Decay Time	-64-+63	40	
46 70 37	1	00-7F	Scene Control	0-127	00	

TOTAL SIZE = 56 38 (HEX)

46 00 00	1	00-7F	Volume	0-127	7F	
46 00 01	1		reserved		00	
46 00 02	1	10-58	Pitch Bend Range Upper	-48-+24[semitones]	42	
46 00 03	1	10-58	Pitch Bend Range Lower	-48-+24[semitones]	3E	
46 00 04	1	00-02	Insertion Connect Type	12(Parallel), 1->2, 2->1	00	
46 00 05	1	00-7F	Reverb Send	---dB_0dB	28	
46 00 06	1	00-7F	Chorus Send	---dB_0dB	00	

TOTAL SIZE = 7 07 (HEX)

46 01 00	2	00-7F	Reverb Type MSB	Refer to Effect Parameter List	0100	
46 01 01	2	00-7F	Reverb Type LSB			
46 01 02	2	00-7F	Reverb Parameter 1 MSB	"		Depends On Effect Type
46 01 03	2	00-7F	Reverb Parameter 1 LSB	"		
46 01 04	2	00-7F	Reverb Parameter 2 MSB	"		
46 01 05	2	00-7F	Reverb Parameter 2 LSB	"		
46 01 06	2	00-7F	Reverb Parameter 3 MSB	"		
46 01 07	2	00-7F	Reverb Parameter 3 LSB	"		
46 01 08	2	00-7F	Reverb Parameter 4 MSB	"		
46 01 09	2	00-7F	Reverb Parameter 4 LSB	"		
46 01 0A	2	00-7F	Reverb Parameter 5 MSB	"		
46 01 0B	2	00-7F	Reverb Parameter 5 LSB	"		
46 01 0C	2	00-7F	Reverb Parameter 6 MSB	"		
46 01 0D	2	00-7F	Reverb Parameter 6 LSB	"		
46 01 0E	2	00-7F	Reverb Parameter 7 MSB	"		
46 01 0F	2	00-7F	Reverb Parameter 7 LSB	"		
46 01 10	2	00-7F	Reverb Parameter 8 MSB	"		
46 01 11	2	00-7F	Reverb Parameter 8 LSB	"		
46 01 12	2	00-7F	Reverb Parameter 9 MSB	"		
46 01 13	2	00-7F	Reverb Parameter 9 LSB	"		
46 01 14	2	00-7F	Reverb Parameter 10 MSB			

## MIDI PARAMETER CHANGE TABLE (DRUM VOICE KEY)

Address	Size	Data Range(HEX)	Pramerter Name	Description	Default(HEX)	Notes
46 03 00	2	00-7F	Insertion-1 Type MSB	Refere to Effect Parameter List	0000	
		00-7F	Insertion-1 Type LSB			
46 03 02	2	00-7F	Insertion-1 Parameter1 MSB	"		Depends On Effect Type
		00-7F	Insertion-1 Parameter1 LSB			
46 03 04	2	00-7F	Insertion-1 Parameter2 MSB	"	"	
		00-7F	Insertion-1 Parameter2 LSB			
46 03 06	2	00-7F	Insertion-1 Parameter3 MSB	"	"	
		00-7F	Insertion-1 Parameter3 LSB			
46 03 08	2	00-7F	Insertion-1 Parameter4 MSB	"	"	
		00-7F	Insertion-1 Parameter4 LSB			
46 03 0A	2	00-7F	Insertion-1 Parameter5 MSB	"	"	
		00-7F	Insertion-1 Parameter5 LSB			
46 03 0C	2	00-7F	Insertion-1 Parameter6 MSB	"	"	
		00-7F	Insertion-1 Parameter6 LSB			
46 03 0E	2	00-7F	Insertion-1 Parameter7 MSB	"	"	
		00-7F	Insertion-1 Parameter7 LSB			
46 03 10	2	00-7F	Insertion-1 Parameter8 MSB	"	"	
		00-7F	Insertion-1 Parameter8 LSB			
46 03 12	2	00-7F	Insertion-1 Parameter9 MSB	"	"	
		00-7F	Insertion-1 Parameter9 LSB			
46 03 14	2	00-7F	Insertion-1 Parameter10 MSB	"	"	
		00-7F	Insertion-1 Parameter10 LSB			

TOTAL SIZE = 22 16 (HEX)

46 04 00	2	00-7F	Insertion-2 Type MSB	Refer to Effect Parameter List	0000	
		00-7F	Insertion-2 Type LSB			
46 04 02	2	00-7F	Insertion-2 Parameter 1 MSB	"		Depends On Effect Type
		00-7F	Insertion-2 Parameter 1 LSB			
46 04 04	2	00-7F	Insertion-2 Parameter 2 MSB	"	"	
		00-7F	Insertion-2 Parameter 2 LSB			
46 04 06	2	00-7F	Insertion-2 Parameter 3 MSB	"	"	
		00-7F	Insertion-2 Parameter 3 LSB			
46 04 08	2	00-7F	Insertion-2 Parameter 4 MSB	"	"	
		00-7F	Insertion-2 Parameter 4 LSB			
46 04 0A	2	00-7F	Insertion-2 Parameter 5 MSB	"	"	
		00-7F	Insertion-2 Parameter 5 LSB			
46 04 0C	2	00-7F	Insertion-2 Parameter 6 MSB	"	"	
		00-7F	Insertion-2 Parameter 6 LSB			
46 04 0E	2	00-7F	Insertion-2 Parameter 7 MSB	"	"	
		00-7F	Insertion-2 Parameter 7 LSB			
46 04 10	2	00-7F	Insertion-2 Parameter 8 MSB	"	"	
		00-7F	Insertion-2 Parameter 8 LSB			
46 04 12	2	00-7F	Insertion-2 Parameter 9 MSB	"	"	
		00-7F	Insertion-2 Parameter 9 LSB			
46 04 14	2	00-7F	Insertion-2 Parameter 10 MSB	"	"	
		00-7F	Insertion-2 Parameter 10 LSB			
46 04 16	2	00-7F	Insertion-2 Parameter 11 MSB	"	"	
		00-7F	Insertion-2 Parameter 11 LSB			
46 04 18	2	00-7F	Insertion-2 Parameter 12 MSB	"	"	
		00-7F	Insertion-2 Parameter 12 LSB			
46 04 1A	2	00-7F	Insertion-2 Parameter 13 MSB	"	"	
		00-7F	Insertion-2 Parameter 13 LSB			
46 04 1C	2	00-7F	Insertion-2 Parameter 14 MSB	"	"	
		00-7F	Insertion-2 Parameter 14 LSB			
46 04 1E	2	00-7F	Insertion-2 Parameter 15 MSB	"	"	
		00-7F	Insertion-2 Parameter 15 LSB			
46 04 20	2	00-7F	Insertion-2 Parameter 16 MSB	"	"	
		00-7F	Insertion-2 Parameter 16 LSB			

TOTAL SIZE = 34 22 (HEX)

46 05 00	1	00-09	Controller Set1 Source	PB, MW, ---, AT, FC, FS, RB, BC, KN1, KN2	00	
46 05 01	2	00	Controller Set1 Destination MSB	0 - 29	00	
		00-1D	Controller Set1 Destination LSB			
46 05 03	1	00-7F	Controller Set1 Depth	-64 +63	40	
46 05 04	1		reserved		00	
46 05 05	1	00-09	Controller Set2 Source	PB, MW, ---, AT, FC, FS, RB, BC, KN1, KN2	00	
46 05 06	2	00	Controller Set2 Destination MSB	0 - 29	00	
		00-1D	Controller Set2 Destination LSB			
46 05 08	1	00-7F	Controller Set2 Depth	-64 +63	40	
46 05 09	1		reserved		00	
46 05 0A	1	00-09	Controller Set3 Source	PB, MW, ---, AT, FC, FS, RB, BC, KN1, KN2	00	
46 05 0B	2	00	Controller Set3 Destination MSB	0 - 29	00	
		00-1D	Controller Set3 Destination LSB			
46 05 0D	1	00-7F	Controller Set3 Depth	-64 +63	40	
46 05 0E	1		reserved		00	
46 05 0F	1	00-09	Controller Set4 Source	PB, MW, ---, AT, FC, FS, RB, BC, KN1, KN2	00	
46 05 10	2	00	Controller Set4 Destination MSB	0 - 29	00	
		00-1D	Controller Set4 Destination LSB			
46 05 12	1	00-7F	Controller Set4 Depth	-64 +63	40	
46 05 13	1		reserved		00	
46 05 14	1	00-09	Controller Set5 Source	PB, MW, ---, AT, FC, FS, RB, BC, KN1, KN2	00	
46 05 15	2	00	Controller Set5 Destination MSB	0 - 29	00	
		00-1D	Controller Set5 Destination LSB			
46 05 17	1	00-7F	Controller Set5 Depth	-64 +63	40	
46 05 18	1		reserved		00	
46 05 19	1	00-09	Controller Set6 Source	PB, MW, ---, AT, FC, FS, RB, BC, KN1, KN2	00	
46 05 1A	2	00	Controller Set6 Destination MSB	0 - 29	00	
		00-1D	Controller Set6 Destination LSB			
46 05 1C	1	00-7F	Controller Set6 Depth	-64 +63	40	
46 05 1D	1		reserved		00	

TOTAL SIZE = 30 1E (HEX)

Address	Size	Data Range(HEX)	Pramerter Name	Description	Default(HEX)	Notes
47 ee 00	1	00-01	Element Assion	off.on	00	*1
47 ee 01	1	00-03	Wave Type	wave_vce	00	
47 ee 02	1	00	reserved		00	
47 ee 03	1	00-01	Reactive Note Off	off.on	01	
47 ee 04	1	00-01	Assign Mode	single_multi	01	*1
47 ee 05	1	00-7F	Alternate Group	0.off, 1 - 127	00	*1
47 ee 06	2	00-7F	Wave Number MSB	1st bit6-0 -> bit13-7 0(off), 1 - 479(C56.c56R)	00	
		00-7F	Wave Number LSB	2nd bit6-0 -> bit6-0 0(off), 1 - 553(S80)	00	
47 ee 08	3	00-7F	Voice Bank Number MSB	0 - 127	00	*1
		00-7F	Voice Bank Number LSB	0 - 127	00	*1
		00-7F	Voice Number	0 - 127	00	*1
47 ee 0B	1	01-7F	Pan	L63 - C - R63	40	*1
47 ee 0C	1	00-7F	Random Pan Depth	0 - 127	00	
47 ee 0D	1	00-7F	Alternate Pan Depth	L64 - 0 - R63	40	
47 ee 0E	1	00-7F	Reverb Send Level	0 - 127	28	*1
47 ee 0F	1	00-7F	Chorus Send Level	0 - 127	00	*1
47 ee 10	1	00-02	Insertion Effect Switch	thru ins1, ins2	00	*1
47 ee 11	1	00-45	Output Select	0 LAR 8: ind1+2 64-68: ind1 - ind6	00	*1

TOTAL SIZE = 18 12 (HEX)

47 ee 20	1	00-7F	Element Level	0 - 127	64	*1
47 ee 21	1	00-7F	Level Velocity Sensitivity	-64 +63	40	
47 ee 22	1	00	reserved		00	
47 ee 23	1	00-7F	AEG Attack Time	0 - 127	00	
47 ee 24	1	00-7F	AEG Decay1 Time	0 - 127	00	
47 ee 25	1	00-7F	AEG Decay2 Time	0 - 126,hold	7E	
47 ee 26	1	00	reserved		00	
47 ee 27	1	00	reserved		00	
47 ee 28	1	00	reserved		00	
47 ee 29	1	00-7F	AEG Decay1 Level	0 - 127	7F	
47 ee 2A	1	00	reserved		00	
47 ee 2B	1	00	reserved		00	

TOTAL SIZE = 12 0C (HEX)

48 ee 00	1	10-70	Coarse Tune	-48 +48	40	*1
48 ee 01	1	00-7F	Fine Tune	-64 +63	40	*1
48 ee 02	1	00-7F	Pitch Velocity Sensitivity	-64 +63	40	

TOTAL SIZE = 3 03 (HEX)

49 ee 00	1	00	reserved		00	
49 ee 01	2	00-01	LPF Cutoff Frequency MSB	0 - 255	01 7F	
		00-7F	LPF Cutoff Frequency LSB			
49 ee 03	1	00-7F	LPF Cutoff Velocity Sensitivity	-64 +63	40	
49 ee 04	1	00-1F	LPF Resonance	0 - 31	04	
49 ee 05	1	40	reserved		40	
49 ee 06	2	00-01	HPF Cutoff Frequency MSB	0 - 255	00 00	
		00-7F	HPF Cutoff Frequency LSB			

TOTAL SIZE = 8 08 (HEX)

4A ee 00	1	00-05	EQ Type	EQ LH, PEQ, Boost6, Boost12, Boost18, thru	00	
4A ee 01	1	00-1F	EQ Resonance	0 - 31	00	
4A ee 02	2	00-01	EQ 1 Frequency MSB	EQ LH: 46-182, PEQ: 83-251	00 53	
		00-7F	EQ 1 Frequency LSB			
4A ee 04	1	20-60	EQ 1 GAIN	-32 +32	40	
4A ee 05	2	00-01	EQ 2 Frequency MSB	EQ LH:131-241	01 71	
		00-7F	EQ 2 Frequency LSB			
4A ee 07	1	20-60	EQ 2 GAIN	-32 +32	40	

TOTAL SIZE = 8 08 (HEX)

ee = Element Number (00..48: C0 - C6)

\*1: Only this parameter is available when Wave/Voice type is set to "vce" in the OSC wave screen.

<Table 10>  
MIDI PARAMETER CHANGE TABLE (PLUGIN VOICE)

Address	Size	Data Range(HEX)	Parameter Name	Description	Default(HEX)	Notes
4C70 00	1	20 - 7E	Voice Name1	32_126(ASCII)	-	
4C70 01	1	20 - 7E	Voice Name2	32_126(ASCII)	-	
4C70 02	1	20 - 7E	Voice Name3	32_126(ASCII)	-	
4C70 03	1	20 - 7E	Voice Name4	32_126(ASCII)	-	
4C70 04	1	20 - 7E	Voice Name5	32_126(ASCII)	-	
4C70 05	1	20 - 7E	Voice Name6	32_126(ASCII)	-	
4C70 06	1	20 - 7E	Voice Name7	32_126(ASCII)	-	
4C70 07	1	20 - 7E	Voice Name8	32_126(ASCII)	-	
4C70 08	1	20 - 7E	Voice Name9	32_126(ASCII)	-	
4C70 09	1	20 - 7E	Voice Name10	32_126(ASCII)	-	
4C70 0A	1		reserved			
4C70 0B	1		reserved			
4C70 0C	1	00 - 16	Voice Category	00_22(---Sg)	00(-)	
4C70 0D	1		reserved			
4C70 0E	1		reserved			
4C70 0F	1		reserved			
4C70 10	1		reserved			
4C70 11	1		reserved			
4C70 12	1		reserved			
4C70 13	1	00 - 7F	ARP Type	UpOr1 - GateCut3	00	
4C70 14	1	00 - 01	ARP Switch	off/on	00	
4C70 15	1	00 - 01	ARP Hold	sync-off/on	01	
4C70 16	1	00 - 06	ARP Unit Multiply	50%,66%,75%,100%,133%,150%,200%	03	
4C70 17	1	00 - 7F	ARP Note Limit Low	C_2_G8	00	
4C70 18	1	00 - 7F	ARP Note Limit High	C_2_G8	7F	
4C70 19	1	00 - 02	ARP Key Mode	sort.thru.direct	00	
4C70 1A	1	00 - 01	ARP Vel Mode	original.thru	00	
4C70 1B	2	0000 - 00C8	ARP Velocity Rate MSB	0_200%	64	
4C70 1D	2	0000 - 00C8	ARP Velocity Rate LSB	0_200%	64	
4C70 1E	2	0019 - 012C	ARP Gate Time Rate MSB	ARP Gate Time Rate LSB	25_300	8A
4C70 1F	2	0019 - 012C	ARP Tempo MSB	ARP Tempo LSB	25_300	8A
4C70 21	1	01 - 7F	QED Pan	L63_C_R63	40	
4C70 22	1		reserved		40	
4C70 23	1	00 - 7F	QED Chorus Control	-64_+63	40	
4C70 24	1	00 - 7F	QED Release Time	-64_+63	40	
4C70 25	1		reserved		40	
4C70 26	1		reserved		40	
4C70 27	1		reserved		00	
4C70 28	1	00 - 7F	QED KnobA	-64_+63	40	
4C70 29	1	00 - 7F	QED KnobB	-64_+63	40	
4C70 2A	1	00 - 7F	QED KnobC	-64_+63	40	
4C70 2B	1	00 - 7F	QED/Scene 1 Knob1	-64_+63	40	
4C70 2C	1	00 - 7F	QED/Scene 1 Knob2	-64_+63	40	
4C70 2D	1	00 - 7F	QED/Scene 1 Cutoff Frequency	-64_+63	40	
4C70 2E	1	00 - 7F	QED/Scene 1 Resonance	-64_+63	40	
4C70 2F	1	00 - 7F	QED/Scene 1 Attack Time	-64_+63	40	
4C70 30	1	00 - 7F	QED/Scene 1 Decay Time	-64_+63	40	
4C70 31	1	00 - 7F	Scene 2 Knob1	-64_+63	40	
4C70 32	1	00 - 7F	Scene 2 Knob2	-64_+63	40	
4C70 33	1	00 - 7F	Scene 2 Cutoff Frequency	-64_+63	40	
4C70 34	1	00 - 7F	Scene 2 Resonance	-64_+63	40	
4C70 35	1	00 - 7F	Scene 2 Attack Time	-64_+63	40	
4C70 36	1	00 - 7F	Scene 2 Decay Time	-64_+63	40	
4C70 37	1	00 - 7F	Scene Control	0_127	00	

TOTAL SIZE = 56 38 (HEX)

4C00 00	1	00 - 7F	Volume	0 - 127	64	
4C00 01	1		reserved		01	
4C00 02	1	00 - 01	Same Note Number Key On Assn	single.multi	01	
4C00 03	1	00 - 01	Mono/Poly Mode	mono.poly	01	
4C00 04	1		reserved		00	
4C00 05	1	28 - 58	Pitch Bend Range	-24_+24[semitones]	42	
4C00 06	1		reserved		3E	
4C00 07	1		reserved		00	
4C00 08	1	00 - 01	Portamento Switch	off/on	00	
4C00 09	1	00 - 7F	Portamento Time	0 - 127	40	
4C00 0A	1		reserved		00	
4C00 0B	1	00 - 7F	Reverb Send	--dB_0dB	00	
4C00 0C	1	00 - 7F	Chorus Send	--dB_0dB	00	

TOTAL SIZE = 13 0D (HEX)

4C01 00	2	00 - 7F	Reverb Type MSB	Refer to Effect Parameter List	0100	
4C01 01	2	00 - 7F	Reverb Type LSB			
4C01 02	2	00 - 7F	Reverb Parameter 1 MSB	#	init value for hall1	
4C01 03	2	00 - 7F	Reverb Parameter 1 LSB			
4C01 04	2	00 - 7F	Reverb Parameter 2 MSB	#	init value for hall1	
4C01 05	2	00 - 7F	Reverb Parameter 2 LSB			
4C01 06	2	00 - 7F	Reverb Parameter 3 MSB	#	init value for hall1	
4C01 07	2	00 - 7F	Reverb Parameter 3 LSB			
4C01 08	2	00 - 7F	Reverb Parameter 4 MSB	#	init value for hall1	
4C01 09	2	00 - 7F	Reverb Parameter 4 LSB			
4C01 0A	2	00 - 7F	Reverb Parameter 5 MSB	#	init value for hall1	
4C01 0B	2	00 - 7F	Reverb Parameter 5 LSB			
4C01 0C	2	00 - 7F	Reverb Parameter 6 MSB	#	init value for hall1	
4C01 0D	2	00 - 7F	Reverb Parameter 6 LSB			
4C01 0E	2	00 - 7F	Reverb Parameter 7 MSB	#	init value for hall1	
4C01 0F	2	00 - 7F	Reverb Parameter 7 LSB			
4C01 10	2	00 - 7F	Reverb Parameter 8 MSB	#	init value for hall1	
4C01 11	2	00 - 7F	Reverb Parameter 8 LSB			
4C01 12	2	00 - 7F	Reverb Parameter 9 MSB	#	init value for hall1	
4C01 13	2	00 - 7F	Reverb Parameter 9 LSB			
4C01 14	2	00 - 7F	Reverb Parameter 10 MSB	#	init value for hall1	
4C01 15	2	00 - 7F	Reverb Parameter 10 LSB			
4C01 16	1	00 - 7F	Reverb Return	--dB_0dB_+6dB(0_96...127)	40	
4C01 17	1	01 - 7F	Reverb Pan	L63_C_R63	40	

TOTAL SIZE = 24 18 (HEX)

4C02 00	2	00 - 7F	Chorus Type MSB	Refer to Effect Parameter List	0500	
4C02 01	2	00 - 7F	Chorus Type LSB			
4C02 02	2	00 - 7F	Chorus Parameter 1 MSB	#	init value for chorus1	
4C02 03	2	00 - 7F	Chorus Parameter 1 LSB			
4C02 04	2	00 - 7F	Chorus Parameter 2 MSB	#	init value for chorus1	
4C02 05	2	00 - 7F	Chorus Parameter 2 LSB			
4C02 06	2	00 - 7F	Chorus Parameter 3 MSB	#	init value for chorus1	
4C02 07	2	00 - 7F	Chorus Parameter 3 LSB			
4C02 08	2	00 - 7F	Chorus Parameter 4 MSB	#	init value for chorus1	
4C02 09	2	00 - 7F	Chorus Parameter 4 LSB			
4C02 0A	2	00 - 7F	Chorus Parameter 5 MSB	#	init value for chorus1	
4C02 0B	2	00 - 7F	Chorus Parameter 5 LSB			
4C02 0C	2	00 - 7F	Chorus Parameter 6 MSB	#	init value for chorus1	
4C02 0D	2	00 - 7F	Chorus Parameter 6 LSB			
4C02 0E	2	00 - 7F	Chorus Parameter 7 MSB	#	init value for chorus1	
4C02 0F	2	00 - 7F	Chorus Parameter 7 LSB			
4C02 10	2	00 - 7F	Chorus Parameter 8 MSB	#	init value for chorus1	
4C02 11	2	00 - 7F	Chorus Parameter 8 LSB			
4C02 12	2	00 - 7F	Chorus Parameter 9 MSB	#	init value for chorus1	
4C02 13	2	00 - 7F	Chorus Parameter 9 LSB			
4C02 14	2	00 - 7F	Chorus Parameter 10 MSB	#	init value for chorus1	
4C02 15	2	00 - 7F	Chorus Parameter 10 LSB			
4C02 16	1	00 - 7F	Chorus Return	--dB_0dB_+6dB(0_96...127)	40	
4C02 17	1	01 - 7F	Chorus Pan	L63_C_R63	40	
4C02 18	1	00 - 7F	Send Chorus To Reverb	--dB_0dB(0_127)	00	

TOTAL SIZE = 25 19 (HEX)

Address	Size	Data Range(HEX)	Parameter Name	Description	Default(HEX)	Notes
4C03 00	2	00 - 7F	Insertion Type MSB	Refer to Effect Parameter List	0000	
4C03 01	2	00 - 7F	Insertion Type LSB			
4C03 02	2	00 - 7F	Insertion Parameter1 MSB	#	0000	
4C03 03	2	00 - 7F	Insertion Parameter1 LSB			
4C03 04	2	00 - 7F	Insertion Parameter2 MSB	#	0000	
4C03 05	2	00 - 7F	Insertion Parameter2 LSB			
4C03 06	2	00 - 7F	Insertion Parameter3 MSB	#	0000	
4C03 07	2	00 - 7F	Insertion Parameter3 LSB			
4C03 08	2	00 - 7F	Insertion Parameter4 MSB	#	0000	
4C03 09	2	00 - 7F	Insertion Parameter4 LSB			
4C03 0A	2	00 - 7F	Insertion Parameter5 MSB	#	0000	
4C03 0B	2	00 - 7F	Insertion Parameter5 LSB			
4C03 0C	2	00 - 7F	Insertion Parameter6 MSB	#	0000	
4C03 0D	2	00 - 7F	Insertion Parameter6 LSB			
4C03 0E	2	00 - 7F	Insertion Parameter7 MSB	#	0000	
4C03 0F	2	00 - 7F	Insertion Parameter7 LSB			
4C03 10	2	00 - 7F	Insertion Parameter8 MSB	#	0000	
4C03 11	2	00 - 7F	Insertion Parameter8 LSB			
4C03 12	2	00 - 7F	Insertion Parameter9 MSB	#	0000	
4C03 13	2	00 - 7F	Insertion Parameter9 LSB			
4C03 14	2	00 - 7F	Insertion Parameter10 MSB	#	0040	
4C03 15	2	00 - 7F	Insertion Parameter10 LSB			

TOTAL SIZE = 22 16 (HEX)

4C05 00	1	00 - 09	Controller Set1 Source	PB_MW_..._AT_FC_FS_RB_BC_KN1_KN2	00	
4C05 01	2	00	Controller Set1 Destination MSB	0 - 13	00	
4C05 02	2	00 - 0D	Controller Set1 Destination LSB		00	
4C05 03	1	00 - 7F	Controller Set1 Depth	-64_+63	40	
4C05 04	1		reserved		40	
4C05 05	1	00 - 09	Controller Set2 Source	PB_MW_..._AT_FC_FS_RB_BC_KN1_KN2	00	
4C05 06	2	00	Controller Set2 Destination MSB	0 - 13	00	
4C05 07	2	00 - 0D	Controller Set2 Destination LSB		00	
4C05 08	1	00 - 7F	Controller Set2 Depth	-64_+63	40	
4C05 09	1		reserved		00	

TOTAL SIZE = 10 0A (HEX)

4C10 00	1	00 - 7F	Voice Bank MSB	0_127		depends on plug-in board
4C10 01	1	00 - 7F	Voice Bank LSB	0_127		depends on plug-in board
4C10 02	1	00 - 7F	Voice Number	0_127		depends on plug-in board
4C10 03	1	28 - 58	Note Shift	-24_0_+24[semitones]	40	
4C10 04	1	00 - 7F	Velocity Sense Depth	0_127	40	
4C10 05	1	00 - 7F	Velocity Sense Offset	0_127	40	
4C10 06	1	00 - 7F	(Vibrato Rate) LFO Speed	-64_+63	40	
4C10 07	1	00 - 7F	(Vibrato Depth) LFO Pitch Depth	-64_+63	40	
4C10 08	1	00 - 7F	(Vibrato Delay) LFO Delay	-64_+63	40	
4C10 09	1	00 - 7F	MW Filter Control	-64_+63	40	
4C10 0A	1		reserved		40	
4C10 0B	1	00 - 7F	MW LFO Pitch Modulation Depth	0_127	0A	
4C10 0C	1	00 - 7F	MW LFO Filter Modulation Depth	0_127	00	
4C10 0D	1	00 - 7F	MW LFO Amplitude Modulation Depth	0_127	00	
4C10 0E	1	28 - 58	CAT Pitch Control	-24_+24[semitones]	40	
4C10 0F	1	00 - 7F	CAT Filter Control	-64_+63	40	
4C10 10	1		reserved		40	
4C10 11	1	00 - 7F	CAT LFO Pitch Modulation Depth	0_127	00	
4C10 12	1	00 - 7F	CAT LFO Filter Modulation Depth	0_127	00	
4C10 13	1	00 - 7F	CAT LFO Amplitude Modulation Depth	0_127	00	
4C10 14	1	00 - 5F	AC1 Controller Number	0_95	10	
4C10 15	1	00 - 7F	AC1 Filter Control	-64_+63	40	
4C10 16	1		reserved		-64_+63	40
4C10 17	1	00 - 7F	AC1 LFO Pitch Modulation Depth	0_127	00	
4C10 18	1	00 - 7F	AC1 LFO Filter Modulation Depth	0_127	00	
4C10 19	1	00 - 7F	AC1 LFO Amplitude Modulation Depth	0_127	00	
4C10 1A	1	00 - 7F	Pitch EG Initial Level	-64_+63	40	
4C10 1B	1	00 - 7F	Pitch EG Attack Time	-64_+63	40	
4C10 1C	1	00 - 7F	Pitch EG Release Level	-64_+63	40	
4C10 1D	1	00 - 7F	Pitch EG Release Time	-64_+63	40	
4C10 1E	1	00 - 7F	EQ Low Gain	-64_+63(-12_+12[dB])	40	
4C10 1F	1	00 - 7F	EQ High Gain	-64_+63(-12_+12[dB])	40	
4C10 20	1	04 - 28	EQ Low Frequency	32_2.0k[Hz]	0C	
4C10 21	1	1C - 3A	EQ High Frequency	500_16.0k[Hz]	36	
4C10 22	1	00 - 7F	HPF Cutoff Frequency	-64_0_+63	40	

TOTAL SIZE = 35 23 (HEX)

4C20 00	64	00 - 7F	Plug-in Board Native Parameter	depends on Plug-in Board	00	
4C20 40	3	00 - 7F	Plug-in Board Type MSB			depends on plug-in board
4C20 41	3	00 - 7F	Plug-in Board Type LSB			depends on plug-in board
4C20 42	3	00 - 7F	Plug-in Board Version Number			depends on plug-in board
4C20 43	1	00 - 7F	reserved		00	

TOTAL SIZE = 68 44 (HEX)

Function...	Transmitted	Recognized	Remarks
Basic Channel	Default Changed 1 - 16 1 - 16	1 - 16 1 - 16	Memorised
Mode	Default Messages Altered 3 X *****	1 1 - 4(m=1) *2 X	Memorised
Note Number : True voice	0 - 127 *3 *****	0 - 127 0 - 127	Transpose
Velocity	Note ON Note OFF O 9nH,v=1-127 X 9nH,v=0	O v=1-127 X	
After Touch	Key's Ch's X O *3	X O *1	
Pitch Bend	O *3	O *1	
Control Change	0,32 O *1 1,7,11 O *3 5,10 O *3 6,38 X 64 O *3 65 O *3 66 X 71-75 O *3 91,93 O *3 96-97 X 100-101 X 1-95 O	O *1 O *1 O *1 O *1 O *1 O *1 O *1 O *1 O *1 O *1 O *1 O *1	Bank Select  Data Entry Sustain Sw Portamento Sw Sosutenuto Sound Controller Effect Depth RPN Inc,Dec RPN LSB,MSB Assignable Cntrl
Prog Change : True #	O 0 - 127 *1 *****	O 0 - 127 0 - 127	
System Exclusive	O	O	
Common : Song Pos. : Song Sel. : Tune	X X X	X X X	
System : Clock Real Time : Commands	X X	O X	
Aux : All Sound Off : Reset All Cntrls : Local ON/OFF Mes- : All Notes OFF sages: Active Sense : Reset	X X X X O X	O (120,126,127) O (121) X O (123-125) O X	
Notes: *1 receive if switch is on. *2 m is always treated as "1" regardless of its value. *3 CS6x only.			

Function...	Transmitted	Recognized	Remarks
Basic Channel      Default Changed	1 - 16 X	X X	Memorised
Mode              Default Messages Altered	X X *****	X X X	
Note Number : True voice	0 - 127 *****	X X	
Velocity          Note ON Note OFF	O 9nH,v=1-127 X 9nH,v=0	X X	
After Touch      Key's Ch's	O O	X X	
Pitch Bend	O	X	
Control Change      0-121	O	X	
Prog Change : True #	O 0 - 127 *****	X	
System Exclusive	O	X	
Common : Song Pos. : Song Sel. : Tune	X X X	X X X	
System : Clock Real Time : Commands	O            *2 O            *2	O            *1 *2 O            *2	
Aux : All Sound Off : Reset All Cntrls : Local ON/OFF Mes- : All Notes OFF sages: Active Sense : Reset	O O O O O X	X X X X X X	
Notes:            *1 if MIDI sync is midi *2 if MIDI control in is on			

